

# FH SLSQ03 C

## SHOWER ACC Shower Range Stainless Steel Slimline 300mm Square Fixed Head



### Features:

- Complete with swivel joint for angle adjustment

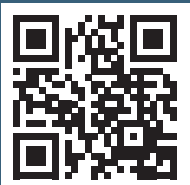
### Product Certifications:



WRAS Certificate No: 2311903  
WRAS Expiry Date: 30/11/2028



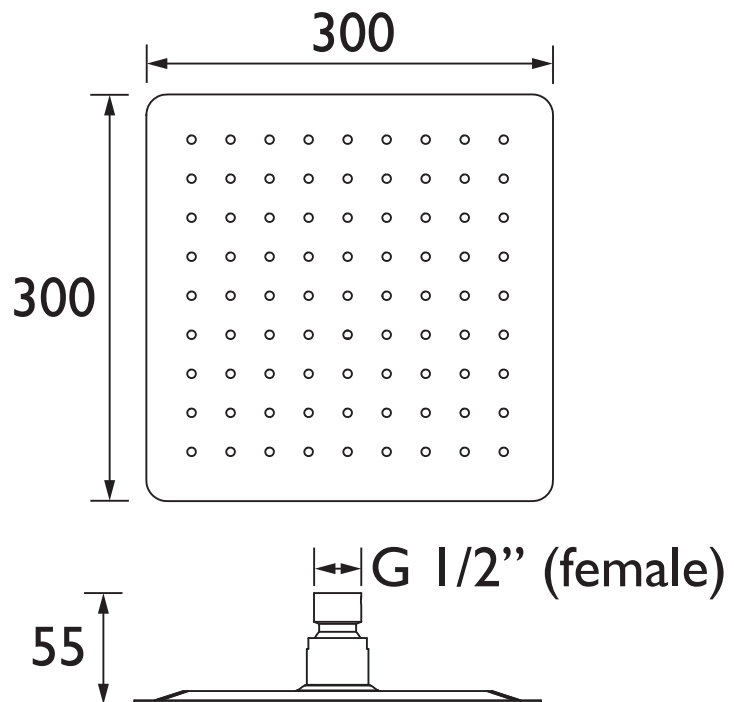
For more products, visit our website:  
<http://www.bristan.com>



### Specification

Finish/Colour:	Chrome Plated
Main Construction Material:	Stainless Steel
Shower Kit:	Fixed Head
Rub Clean Handset:	Yes
Mounting Type:	Wall
Plumbing System Suitability:	Suitable for all plumbing systems
Minimum Dynamic Pressure (bar):	0.2 bar
Maximum Dynamic Pressure (bar):	5 bar
Maximum Static Pressure (bar):	10 bar
Maximum Hot Water Supply Temperature °C:	85
Connection Inlet:	1/2" BSP Female
Isolation Included:	No
Check Valve Included:	No
What's Included:	1x Fixed Head, 1x Filter Washer, 1x Fitting Instructions

### Dimensions (measurements in mm)



### Flow Rates (l/min)

System Pressure (bar)	0.2	0.5	1	2	3	5
Through Fixed Head (mixed)	5.8	9.1	12.9	18.2	22.3	28.8

## TECHNICAL DATA SHEET



# BRISTAN

D4