

# R2 SHXRR C

## REGENCY Shower Range

Regency2 Thermostatic Surface Mounted Dual Control Shower Valve with Rigid Riser Chrome



### Features:

- All in one box - pack includes shower valve, rigid riser rail and a fixed head so nothing to buy separately
- Easy installation with adjustable elbow inlets which enable you to use on existing pipework centres between 110mm and 155mm so there's no need for retiling
- A hard-wearing, flawless, scratch resistant chrome finish that lasts for years. Salt spray tested to ensure added durability.
- Thermostatic cartridge with preset temperature safety stop at 41°C for family-safe showering.
- Automatic shut-off in the event of hot or cold water supply failure for family safe showering.

### Product Certifications:



WRAS Certificate No: 240403011  
WRAS Expiry Date: 30/04/2029

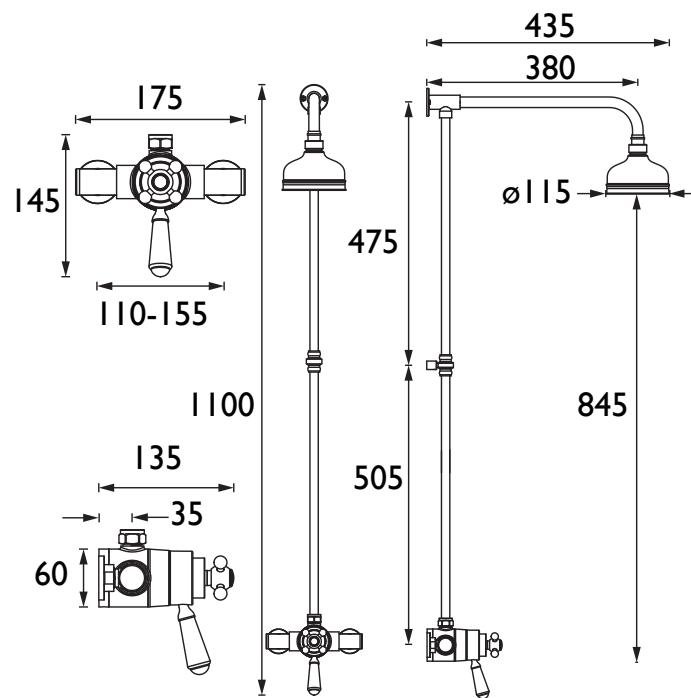
TMV2 Certificate No: NSF2124/0619  
TMV2 Expiry Date: 13/12/2024



### Specification

Finish/Colour:	Chrome Plated
Main Construction Material:	Brass
No of Controls:	2
Shower Type:	Thermostatic
Shower Head Type:	Fixed Head
Shower Kit:	Rigid Riser
Valve/Cartridge Type:	Thermostatic
Maximum Hot Water Supply Temperature °C:	65
Plumbing System Suitability:	Suitable for all plumbing systems
Minimum Dynamic Pressure (bar):	0.1
Maximum Dynamic Pressure (bar):	5
Maximum Static Pressure (bar):	10
Connection Inlet:	15mm Compression Elbows
Connection Outlet:	G 1/2"
Isolation Valve Included:	No
Check Valve Included:	Yes

### Dimensions (measurements in mm)



### Flow Rates (l/min)

System Pressure (bar)	0.1	0.5	1	2	3	5
Valve Only/Largest FR (mixed)	5.6	12.5	17.7	25	30.6	39.5
Through Handset (mixed)	2.4	5.4	7.6	10.8	13.2	17

# TECHNICAL DATA SHEET



# BRISTAN