

BRISTAN

Installation Instructions & User Guide

Please leave these instructions
with the end user

PO BSM C (D1)

Specifications

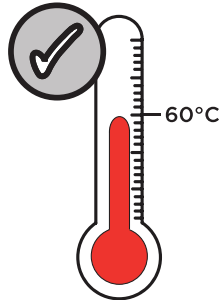
Dynamic Water Pressure

Min: 0.2 bar Max: 5.0 bar



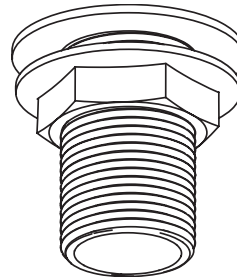
Maximum Static Pressure: 10.0 bar

Inlet Water Temperature



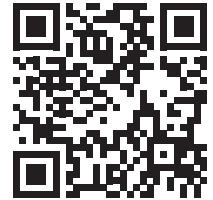
Maximum Hot 60°C

Inlet Connections



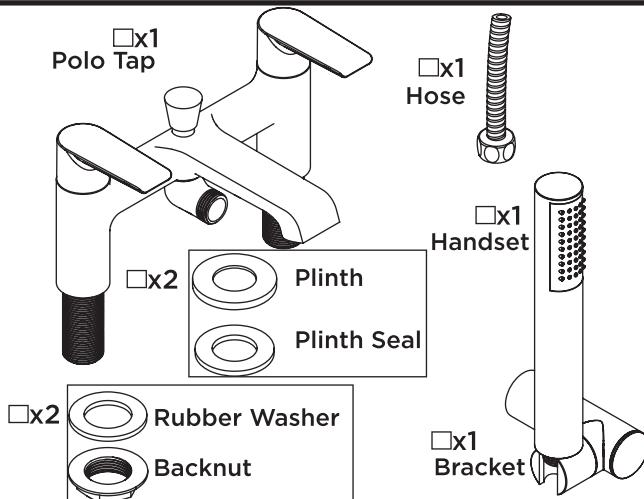
3/4" BSP

Spare Parts

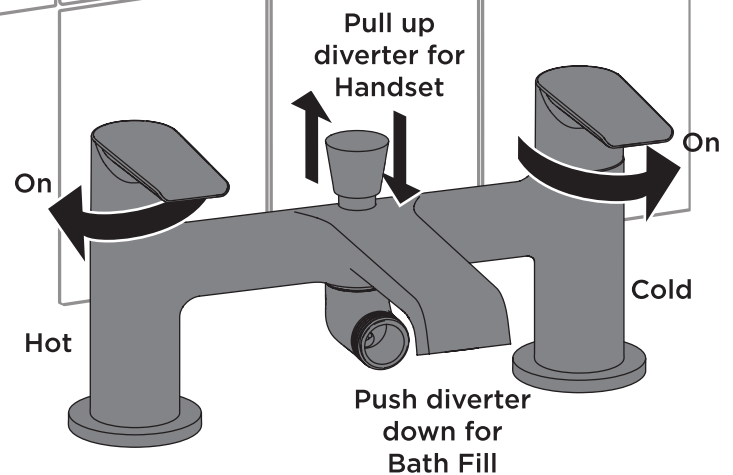


To replace any spare parts
for your tap, why not
scan the QR Code or
visit www.bristan.com
and search for your
product.

Pack Contents



Operation



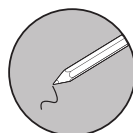
Tools Required for Installation/ Maintenance



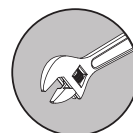
Drill



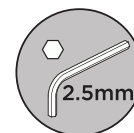
Safety Glasses



Pencil



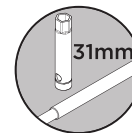
Adjustable Spanner



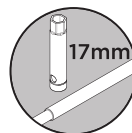
Hexagonal Keys



Philips Head
Screwdriver



Box Spanner
(Inlets)



Box Spanner
(Cartridge)

Prior to Installation

All products manufactured and supplied by Bristan are safe to use provided that they are installed, operated and receive regular maintenance in accordance with these instructions.

This product needs to be installed in accordance with, and meet the requirements of The Water Supply (Water Fittings) Regulations (Northern Ireland) 2009 and The Water Supply (Water Fittings) (Scotland) Byelaws 2014. For full Installation Requirements & Notes (IRN) please visit www.wrasapprovals.co.uk/approvals-directory

Isolation valves must be fitted to the inlet water supplies to ensure ease of future maintenance.

Before installing this product the water supply must be thoroughly flushed in order to remove any swarf, solder etc. Full access must be made available for future maintenance/servicing purposes.

This product must not be modified in any way as this will invalidate the guarantee.



Important

The images shown are for illustrative purposes only.

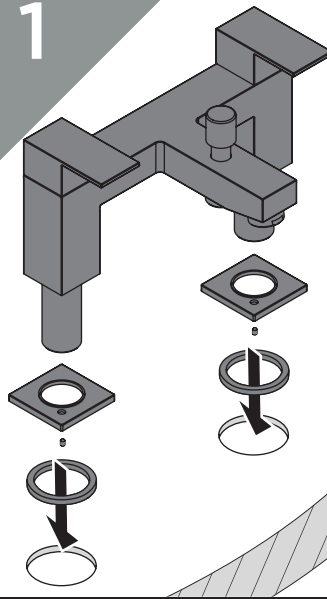
The tap you have purchased may look different to those pictured in this booklet but will follow the same installation steps.

Your contents page will be specific to your product.

If you find your product or any of its components differ from those shown on the contents page, please contact our customer support.

Installation

1

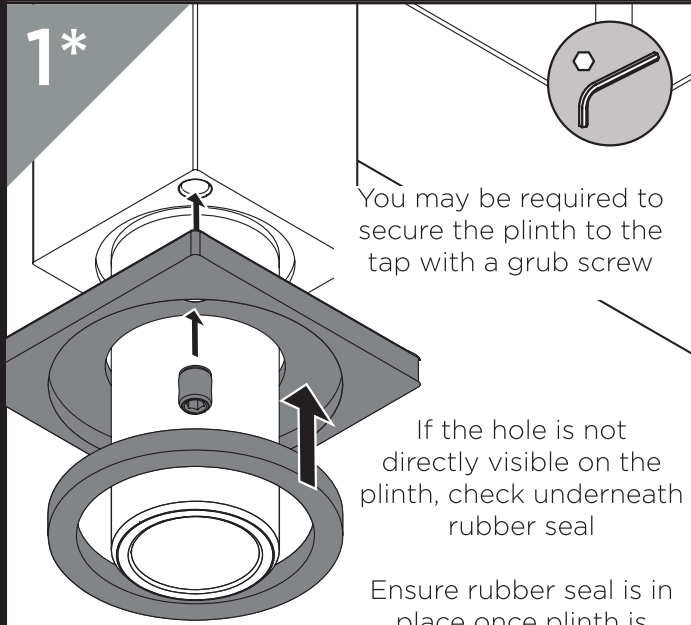


Feed the tap body through the plinths and ensure rubber plinth seals are in place

Your model may come with a plinth and will either be included pre-attached or loose in the box*

Once aligned, feed the threaded tails through tap holes

1*

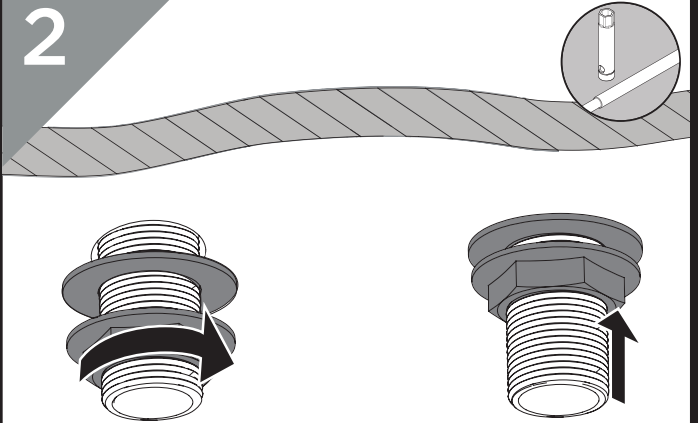


You may be required to secure the plinth to the tap with a grub screw

If the hole is not directly visible on the plinth, check underneath rubber seal

Ensure rubber seal is in place once plinth is attached

2



To secure the taps to the bath, use a box spanner to tighten the metal backnuts underneath ensuring the washer is correctly positioned in between the backnuts and the bath

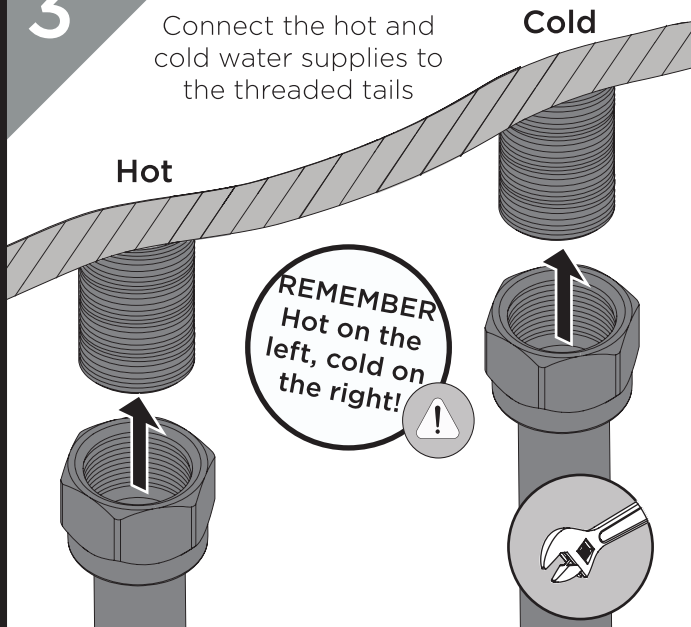
3

Connect the hot and cold water supplies to the threaded tails

Cold

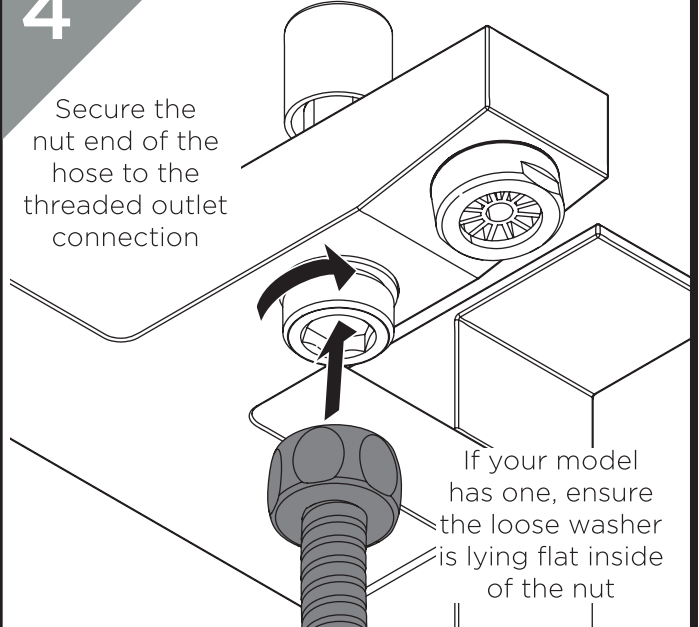
Hot

REMEMBER
Hot on the left, cold on the right!



4

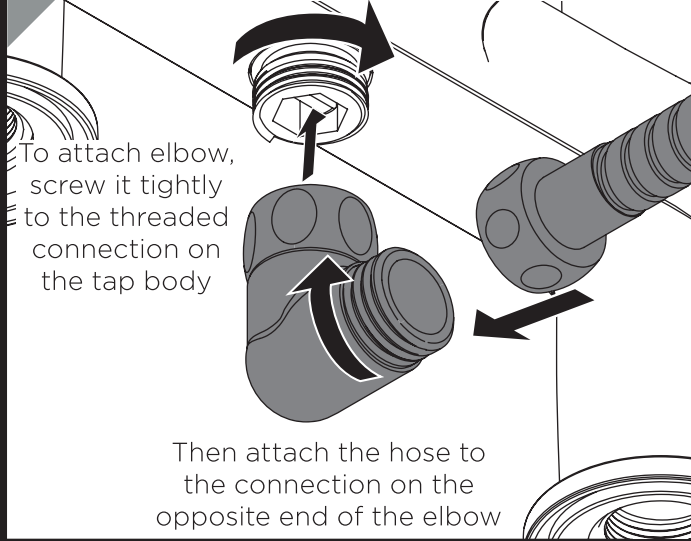
Secure the nut end of the hose to the threaded outlet connection



If your model has one, ensure the loose washer is lying flat inside of the nut

4*

If your model is supplied with an elbow connection, ensure it is attached first before connecting the hose



5

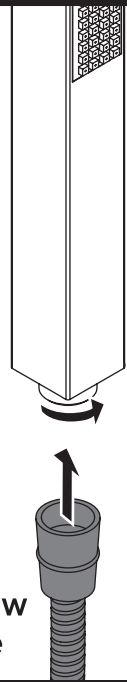
Secure the cone end of the hose onto the threaded inlet connection of the handset

If your model has one, ensure the loose washer is lying flat inside of the cone connection

IMPORTANT
Turn on water supply for a few minutes and check all joints and connections for any leaks.



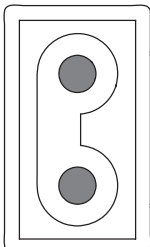
Your tap is now ready to use



Installation - Wall Bracket

1

Pry off the bracket lid to reveal the screw holes (this will be opposite the wall end of the bracket)

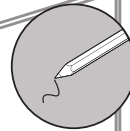


Observe screw holes inside of the bracket

*Some models will require you to unscrew the hook to gain access to screw hole(s)

2

Position the wall bracket where you want it and mark out where to drill. Make sure the hose and handset can reach



(On most models, the screw holes are large enough to fit a pencil through for easy marking)

3

Drill hole(s) and fit wall plug(s) and then secure wall bracket to wall using screw(s) provided



IMPORTANT
Prior to drilling into walls, check there are no hidden electrical wires, cables or water supply pipes



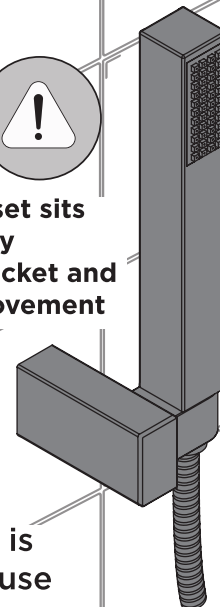
Once fixed, replace the bracket lid

4

Check handset sits securely on the wall bracket and there is no movement



Your bracket is now ready to use



Maintenance - Cartridge/ Valve Replacement

1

Remove indice by pulling it loose, then undo hex grub screw to remove handle

IMPORTANT
Isolate the water supply before starting!

Indice will be placed on either the front or back of the handle

2

Remove the shroud, screw and spline adapter if your model has them
(When replacing, ensure valve is fully closed with the handle parallel to the spout)

3

Unscrew the cartridge/ valve using a box spanner

Check any seals and O-rings for damage. Replace cartridge/ valve if necessary

4

Reverse the steps to replace the cartridges/ valves and handles

Maintenance - Clean/ Replace Outlet

1a

Flow Straightener

Using an adjustable spanner, unscrew gently to remove the outlet

Your tap may have a different outlet, use the corresponding tool and method to remove

1b

Recessed Outlet

If provided, insert the key tool into the outlet and twist to release it

1c

Coin Slot Aerator

Using a coin, insert into the slot on the outlet and twist to release it

2

Check all loose parts for any damage, then soak using a suitable solution to de-scale

General Cleaning

Bristan products are made from premium materials, with hand polished, electroplated, PVD or EPD finishes.

Your taps or shower should be regularly cleaned with warm water, a mild pH-neutral liquid soap, and polished with a soft cloth. Any residues from soap, toothpaste, shampoos and shower gels can cause blemishes if not rinsed off straight after use.

Household bleaches and cleaners contain harsh chemicals and may damage the surface finish. Avoid using abrasive cloths, scouring pads, scrub sponges, steel wool or anything similar.

3

Reverse the steps to replace the outlet

Troubleshooting

Symptom	Cause	Remedy
Low Flow	Partially closed isolation valve.	Open isolation valve.
	Airlock or partial blockage in the supply pipework.	Flush through pipework to ensure removal of debris and any airlocks.
	Partial blockage in the outlet	Remove to Clean and soak in suitable solution.
No hot water or cycling hot and cold	Instantaneous water heater cycles on and off as flow rate or pressure is too low.	Increase water flow rate or pressure through system.
No Flow	Closed isolation valve.	Open isolation valve.
	Mains water supply turned off.	Turn on mains water supply.
Temperatures not corresponding with taps	Inlet pipes have been connected incorrectly	Swap the inlet tails around.

Love Your Chrome



Bristan offers an effective chrome-friendly cleaning kit for use with your taps and showers. Scan the QR Code or search for 'CLEAN KIT01' on www.bristan.com.

Notes

Please use this space for any notes you or your installer may have regarding the installation/plumbing of this product.

Contact Us

BRISTAN

Bristan Group Ltd.

UK: Bristan Group, B78 1SG.

EU: Masco Europe S.à.r.l.
14 Rue Strachen
6933 Mensdorf
Luxembourg

Customer Service: +44330 026 6273

Web: www.bristan.com

Email: enquire@bristan.com

A Masco Company

Servicing Your Tap

We recommend servicing your tap at least once every year to prolong its life.

To see a video showing how to remove the cartridge for servicing, scan the QR code with your smart phone or tablet.

Alternatively visit www.youtube.com/BristanTV



Our Guarantee

At Bristan, we want to make things as easy as possible for our customers. That's why we offer solid guarantees on all our products, effective from the date of purchase, to give you peace of mind.

Your guarantee starts from the purchase of your product, but you can still benefit from registering it for easier identification in the unlikely event of a manufacturing fault, please visit www.bristan.com/register

For any other queries, please call Customer Service on 0330 026 6273 where our expert team of advisors will be able to offer you any help and advice.

For full guarantee terms and conditions visit www.bristan.com/service-centre/guarantees.

