

BRISTAN

Installation, Operation & Maintenance Instructions

Please leave this instruction booklet with the home-owner as it contains important warranty, maintenance and safety information.



Read this manual carefully before commencing installation.

This manual covers the following products:

Standard S2.0 bar Single

Pt. No. ST PUMP 20SG

Standard S1.5 bar Twin

Pt. No. ST PUMP 15TN

Standard S2.0 bar Twin

Pt. No. ST PUMP 20TN

FOR POSITIVE HEAD APPLICATIONS

Please note images are representative only and may not portray your model



CONTENTS

1	PRODUCT OVERVIEW	1
2	WARNINGS	2
3	CHECKLIST	4
4	IMPORTANT FACTS - READ BEFORE COMMENCING PUMP INSTALLATION	5
5	LOCATION - GENERAL	7
6	PUMP CONNECTIONS	12
7	ELECTRICAL INSTALLATION	17
8	COMMISSIONING	21
9	MAINTENANCE	22
10	TECHNICAL SPECIFICATION	23
11	TROUBLE SHOOTING GUIDE	26
12	DECLARATION OF CONFORMITY	30

1 PRODUCT OVERVIEW

1.1 Product Description

2.0 bar Single, 1.5 bar Twin & 2.0 bar Twin

Electric motor driven single or twin ended peripheral pumps complete with an automatic control system, consisting of flow switches and electronic controls.

1.2 Application

Bristan shower pumps are designed to boost up to **4 individual outlets, including one shower outlet within a single bathroom**, subject to correct specification and pump sizing in vented stored water systems.

Inlet pressures to the pump and ambient temperatures must not exceed the values given in the technical specifications.

Bristan shower pumps are not suitable for boosting a single side of a dual flow mixer valve or tap. Consult Bristan for an alternative pump.

1.3 Storage

If this product is not to be installed immediately on receipt, ensure that it is stored in a dry, frost and vibration free location in its original packaging.

1.4 Environment Protection

Your appliance contains valuable materials which can be recovered or recycled.

At the end of the products' useful life, please leave it at an appropriate local civic waste collection point.

2 WARNINGS



- This pump set must not be used for any other application without the written consent of Bristan Limited and in particular, must not be connected directly to the mains water supply.
- This appliance can be used by children aged from 8 years and above and persons with reduced physical, sensory or mental capabilities or lack of experience and knowledge if they have been given supervision or instruction concerning use of the appliance in a safe way and understand the hazards involved.
- Children shall not play with the appliance.
- Cleaning and user maintenance shall not be made by children without supervision.
- The motor casing can become very hot under normal operating conditions. Care must be taken to ensure it cannot be touched during operation.



- The electrical installation must be carried out in accordance with the current national electrical regulations.
- The electrical installation must be installed by a qualified person.
- In the interests of electrical safety a 30 mA residual current device (R.C.D. not supplied) should be installed in the supply circuit. This may be part of a consumer unit or a separate unit.
- Maximum head (closed valve) ST PUMP 15TN - 15 metres, ST PUMP 20TN - 20 metres & ST PUMP 20SG - 20 metres.
- Before starting work on the electrical supply ensure power supply is isolated.
- DO NOT allow the supply cord to contact hot surfaces, including the motor shell, pump body or pipework. The cord should be safely routed and secured by cable clips.
- This appliance must be earthed via the supply cord, which must be correctly connected to the earth point located in the terminal box.



- Do not remove terminal box cover. No user serviceable parts inside terminal box. Any service work involving the removal of the terminal box cover must only be undertaken by Bristan Ltd or by one of their approved repairers, or similarly qualified persons in order to avoid a hazard.

- **If the supply cord is damaged, it must be replaced Bristan Ltd or by one of their approved repairers, or similarly qualified persons in order to avoid a hazard.**

Please read installation details carefully as they are intended to ensure this product provides long, trouble free service. Failure to install the unit in accordance with the installation instructions will lead to invalidation of the warranty.

3 CHECKLIST

IMPORTANT: With the pump removed from its packaging check for any damage prior to installation. If any damage is found contact Bristan Ltd within 24 hours of receipt.

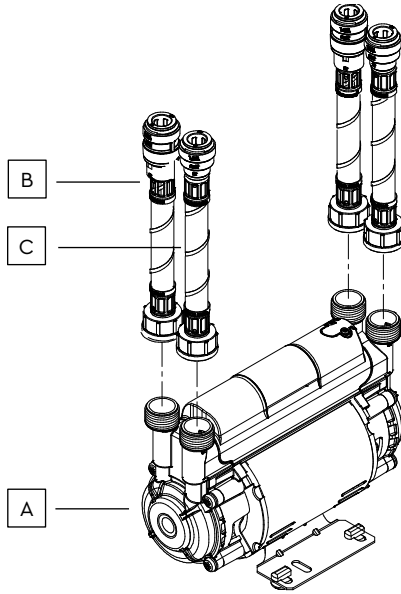


Figure 1

Note: This image is for reference only.

Item	Description	Qty
A	Pump	1
B	Inlet hose(s) & integral washer(s)	2(1)
C	Outlet hose(s) & integral washer(s)	2(1)

Your product may vary slightly from the illustration above.

The quantities shown above are for twin pumps, (single pumps are shown in brackets).

4 IMPORTANT FACTS - READ BEFORE COMMENCING PUMP INSTALLATION

4.1 Water Storage Capacity

The hot and cold water storage capacity must be sufficient to meet the flow rates required by the pumped equipment and any other water using fittings and appliances, which may be operated simultaneously.

Ensure the pump is primed as described in the priming section before starting, damage to the shaft seal will result otherwise. See Section 8 - Commissioning.

4.2 Water Temperature

The water entering the pump must be controlled as follows:

- The maximum allowable water temperature is 65 °C.
- The minimum allowable water temperature is 4 °C.
- **DO NOT** fit a pump if the hot water is heated via a method whereby the water temperature cannot be controlled, such as solar or solid fuel you must consult the Bristan Care team on 0800 701 6273.

4.3 Minimum Flow

For this pump to operate correctly there must be a minimum gravity flow of at least 0.8 l/min through all outlets to be pumped.

4.4 Pipework – General

Secure pipework: Ensure pipework to and from pump is independently supported & clipped to prevent forces being transferred to inlet and outlet branches of pump.

Flux: Solder joints must be completed and flux residues removed prior to pump installation (**flux damage will void any warranty**).

Pipework design: Care should be taken in the design of pipework runs to minimize the risk of air locks e.g. use drawn bends rather than 90° bends.



- **DO NOT** introduce solder flux to flexible hoses, pumps or pump parts manufactured from plastic.
- **DO NOT** allow contact with oil or cellulose based paints, paint thinners or strippers, acid based descalents or aggressive cleaning agents.



- **DO NOT** install a non-return valve, or devices which contain non-return valves, in the suction (inlet) pipework to the pump. The pump must be free to vent to the supply tank at all times.
- **DO NOT** bend the flexible hoses beyond 30°. They must be installed as straight as possible.
- **DO NOT** connect this pump to the mains water supply.

4.5 Plumbing Installation Regulations

The plumbing installation must comply with the current water and building regulations.

The plumbing installation must be installed by a qualified person.

5 LOCATION - GENERAL



- **Access:** For emergencies and maintenance the pump must be easily accessible.
- **Protection:** The pump must be located in a dry position, frost free and protected from freezing, particularly when installed in a loft (not recommended).
- **Ventilation:** Ensure an adequate air flow to cool the pump. Separate the pump from other appliances that generate heat. An 80 mm (3 ") air gap must be maintained around the pump.
- **Safety:** The motor casing can become very hot under normal operating conditions. Care must be taken to ensure it cannot be touched during operation.
- **Water retention:** Site the pump in a location where in the unlikely event of a water leak, any spillage is contained or routed to avoid electrics or areas sensitive to water damage.
- **Static inlet pressure:** Before deciding where to locate the unit, check to ensure the static inlet head between pump and the bottom of the cold water tank (Figure 4 and Figure 5), is at least 0.5 metres and does not exceed the max inlet head of 10 metres or 13 metres depending on the model (See Sections 10 and 11 – Technical Specifications).
- **Ambient temperature:** The pump must be sited in a location where the maximum ambient temperature does not exceed 40 °C.
- **Pipework:** For optimum performance pipework **MUST** be 22 mm. Pipework should only reduce to 15 mm when entering terminal fitting.
- **Noise:** If supplied the anti-vibration mounting feet and flexible hoses can be used to reduce noise transmission, however care must be taken when mounting the pump that any noise is not amplified through loose panels or pipework. **Do not screw down the pump.**



- **Direction of flow:** Ensure the water flow is in the direction of the arrow that is marked on the flow switch reed clamp (vertically upwards).
- **Flexible hoses:** Only use the Bristan hose set supplied with the pump.
- **Isolating valves:** Separate system isolating valves (full bore / non restrictive) **must** be fitted to allow easy pump service.
- **Inline strainer:** You **must** ensure the inlet pipework is fitted with an inline strainer.

5.1 Preferred Pump Location

The pump must, for optimum performance, be sited as close as possible to and never more than 4 metres from the HOT WATER cylinder. The pump should always be sited BELOW the HOT WATER take-off from the cylinder. The pump location is also dependent on limitations of the static inlet and outlet heads of the installation. For guidance on limitations and recommended location, consult the following relevant section for hot or cold water installation.

Location - Single Pump

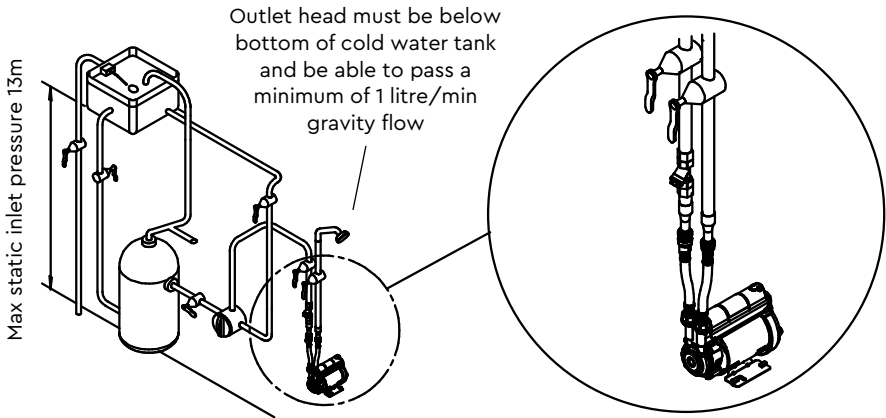


Figure 2

Location - Twin pump

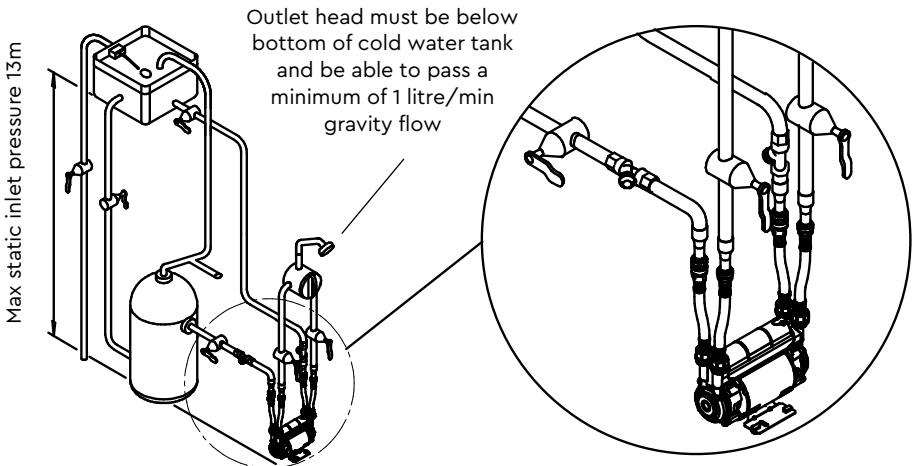


Figure 3

Either end of a twin pump may be used to pump the hot or cold supply

5.2 Non-Preferred Pump Location

If it is necessary to position the pump above the secondary tapping on the hot cylinder it is fed by, the risk of introducing air will be increased.

To avoid this risk one of the two following solutions must be adopted:

- The use of a top entry cylinder flange.
- The use of a side entry cylinder flange, which should have the addition of an inverted loop ("U" bend) of 350 mm minimum drop before rising to the pump, located as close as possible to the cylinder wall. This will ensure the pump receives an air free supply and the cylinder vents any air up the vent pipe and not the pump feed (Figure 4 Single Pump and Figure 5 Twin Pump).

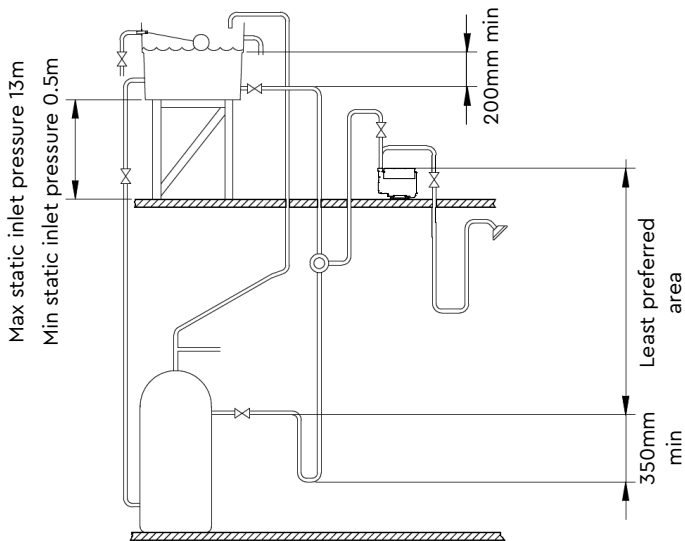


Figure 4
Single Pump

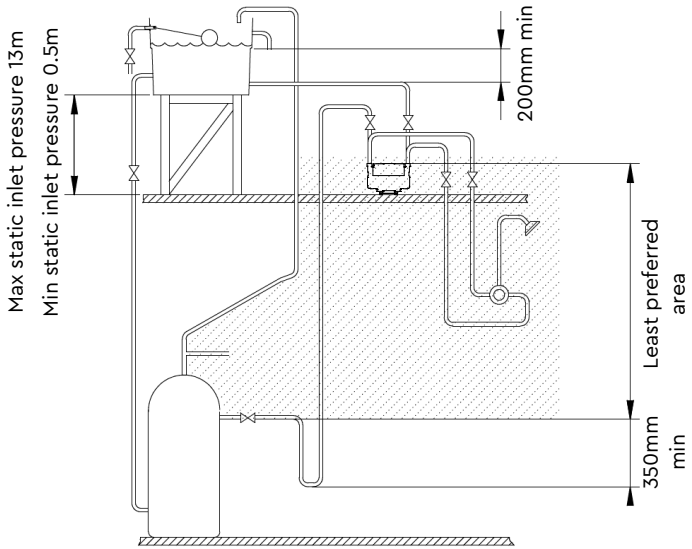


Figure 5
Twin Pump

5.3 Cold Water Connection

The cold water supply: Must be a DEDICATED AIR FREE supply via a tank connector, and must be positioned at a slightly lower level (25 mm minimum) than the feed pipe to the hot water cylinder.

Ensure that the pipework size from the cold water tank is 22mm minimum.

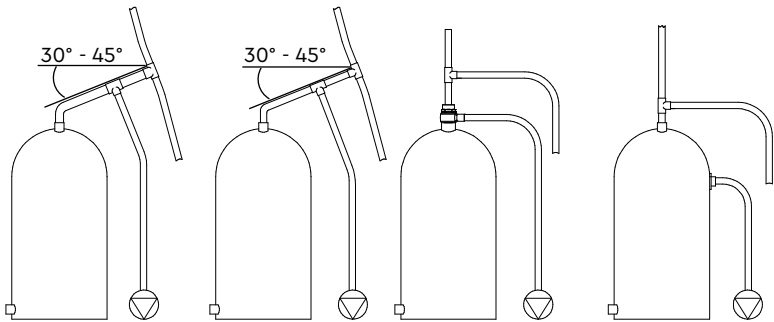
Do not connect to the mains.

5.4 Hot Water Connection

Hot water cylinder or storage tank: When a hot water cylinder or storage tank is used, ensure the pipework size from the cold water storage to the hot water storage is of adequate size and a minimum of 22 mm.

Hot water supply: The pump **must be** supplied with a **dedicated feed** direct from the hot water cylinder or storage tank, ensuring an air free connection to the pump. We recommend the use of either the side entry flange or a top entry flange (Part No 27800) see Figure 6.

Expansion pipe: Expansion pipe: When the method of connection is to be made via the expansion pipe, the **BASE** of the cold water storage tank **MUST** be at least 1 metre above the connection/take off of the hot water storage cylinder feeding the pump.



Off expansion pipe with rising 28mm offset reducing to 22mm pipework to pump and expansion pipe.

Off expansion pipe with rising 22mm offset and 22mm pipework to pump.

Top Entry flange (Part No 27800) with 22mm pipework to pump.

Factory installed G $\frac{3}{4}$ secondary tapping with 22mm pipework to pump.

Or
Side entry flange with 22mm pipework to pump.

Figure 6

6 PUMP CONNECTIONS



- Do not use stainless steel, chrome or nickel plated pipe with the flexible hose push-in plumbing connections.
- Do not introduce solder flux into the joint or surrounding area as connectors will be attacked and will fail.
- All solder joints should be completed and flux residues removed before final connection to push-in connections, on the flexible hose.
- Do not allow contact with oil or cellulose based paints, paint thinners or strippers, acid based descalents or aggressive cleaning agents.
- Never operate pump with inlet and/or outlet isolating valves in the closed position. Damage will occur!

6.1 Connecting Hose to Pump

The pump inlet and outlet ports have fittings which are specifically designed for connection to the G $\frac{3}{4}$ F running nuts on the flexible hoses.

The hose end running nut is fitted with a rubber sealing washer which is held captive within the nut assembly.

Locate the hose into position and screw the nut fully onto the fitting by hand. Finally nip tight with pliers (4 to 5 Nm) for a water tight seal (**do not overtighten**).

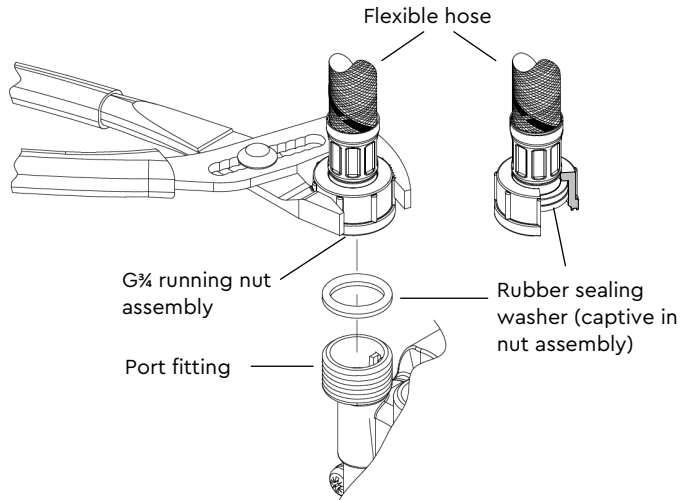


Figure 7

6.2 Connecting Hose to Pipework

1. The hoses are fitted with plastic push-in connectors, which must only be connected with the following:
 - a. 15 mm diameter copper pipe to BS EN 1057 R250 (half hard) (Table 3).
 - b. 15 mm plastic pipe to BS 7291 part 1 and part 2 (Table 1), or part 3 (Table 1) plus internal support sleeve*.

* The internal bore of the plastic pipe must be supported against collapse with the pipe manufacturers recommended support sleeve (pipe insert).

- c. Appropriate plumbing fitting that provides a leak tight connection.

Ensure the pipe is free from all score marks and deformities in the area of the insertion depth (Figure 9) and cut the pipe square, removing all burrs and sharp edges to prevent damage to the sealing 'O'-ring.

Prior to inserting pipe into fitting, mark the insert depth on the wall of the pipe with a soft pencil at a distance of 31 mm from the end to be inserted (Figure 9).

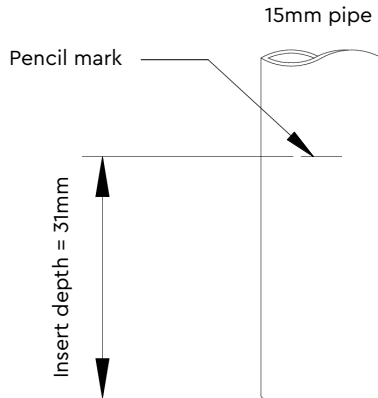


Figure 8

2. Check in the mouth of the fitting that the 'O'-ring, nylon washer and collet are in position as shown in Figure 10.

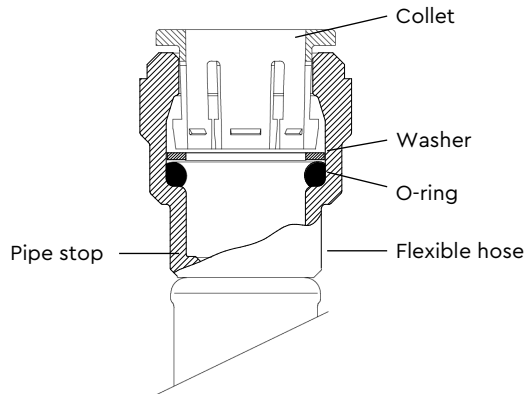


Figure 9

3. Push the pipe firmly into the fitting, until pencil mark is level with the top of the collet and the pipe stop resistance is felt. Pull on the pipe to check it is secure and correctly fitted.
4. To release the joint, push pipe firmly into the fitting, hold the collet down and gently remove pipe. If the system has been filled with water care should be taken to isolate the pump and towels used to absorb spilled water.

6.3 Typical Low Level Installation

In certain installations it may be necessary to install a 90° bend on the inlet or outlet connections of the pump before the flexible hose to accommodate a low level installation.

Below are some preferred connection options. All connections seal on the pump body using a fibre or rubber sealing washer. Tap connector fittings should be used which must be of an appropriate pressure and temperature rating.

It is essential when using any of the fittings shown below, that a correct water tight seal is obtained between the pump body and selected fitting and also the flexible hose and selected fitting. If in doubt contact the fitting manufacturer and confirm compatibility with the connection to be sealed.

Carefully check connections and pipework for leaks whilst pump running and stationary before leaving the installation unattended.

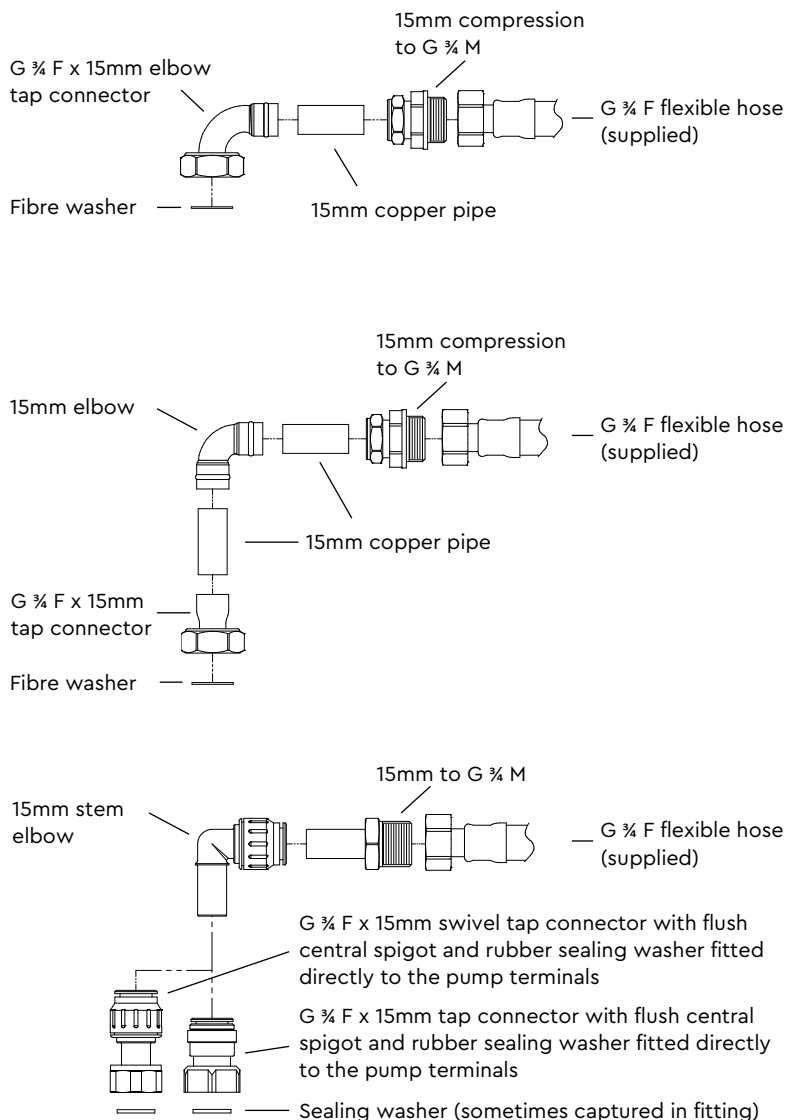


Figure 10

If you have any concern either about using push-in fittings or should the joint leak on final test, isolate the water supplies and contact Bristan Care helpline on 0844 701 6273.

7 ELECTRICAL INSTALLATION



- **Regulations:** The electrical installation must be carried out in accordance with the current national electrical regulations and installed by a qualified person.
- **Safety:** In the interests of electrical safety a 30 mA residual current device (**R.C.D. not supplied**) should be installed in the supply circuit. This may be part of a consumer unit or a separate unit.
- Before starting work on the electrical supply ensure power supply is isolated.
- **DO NOT** allow the supply cord to contact hot surfaces, including the motor shell, pump body or pipework. The cord should be safely routed and secured by cable clips.
- **Adjacent pipes:** Adjacent suction and delivery pipes should be fitted with earthing clamps in accordance with current regulations (Figure 12).

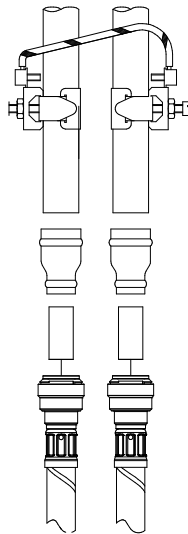


Figure 11
Earth continuity connections

- **Earthing:** Earthing: This appliance must be earthed via the supply cord, which must be correctly connected to the earth point located in the terminal box.
- **Pipework:** Copper or metallic pipework must have supplementary earth bonding where the continuity has been broken by flexible hoses or plastic components.

- **Additional earthing:** Certain installations may require additional earthing arrangements such as equipotential bonding. Reference should be made to the relevant regulations concerning this subject to ensure compliance.
- **Connections:** The pump must be permanently connected to the fixed wiring of the mains supply using the factory fitted supply cord, via a double pole switched fused spur off the ring main and **NOT** connected to the boiler or the immersion heater circuits.

7.1 Wiring of Connection Unit



WARNING: This appliance must be earthed.

The wires in the mains lead (supply cord) are coloured in accordance with the following code:



- Green and Yellow: Earth
- Blue: Neutral
- Brown: Live

As the colours of the wires in the mains lead of this appliance may not correspond with the coloured markings identifying the terminals in your connection unit proceed as follows:



- The wire which is coloured green and yellow must be connected to the terminal in the connection unit which is marked with the letter E or by the earth symbol: \oplus or coloured green or green and yellow.
- The wire which is coloured blue must be connected to the terminal which is marked with the letter N or coloured black.
- The wire which is coloured brown must be connected to the terminal which is marked with the letter L or coloured red.

7.2 Fuses

The following fuse size should be used with the appropriate pump.

Model	Fuse Size (AMPS)
All Models	5

7.3 Internal Wiring



Do not remove terminal box cover. No user serviceable parts inside terminal box.

There are no user serviceable electrical items within the pump.

7.4 Supply Cord Replacement



If the supply cord is damaged, it must be replaced by Bristan Ltd or by one of their approved repairers, or similarly qualified persons in order to avoid a hazard.

7.5 Supply Cord Extension

The pumps are fitted with a supply cord to the following specification:

All models - HO5VV-F3 G 0.75 mm² - 6 Amp rated cable.

If the supply cord is to be extended, a cord of the same specification should be used. Any connections or junction boxes used should be specifically suited for the application and installed in accordance with the manufacturers instructions.

8 COMMISSIONING



System Flushing: This pump incorporates push-in connectors and plastic components that must not come into contact with solder flux, acid-based descalants or aggressive cleaning agents. The pipework system should be flushed out prior to the pump being connected to ensure any contaminants/chemical residues and foreign bodies are removed from elsewhere in the system.

Water Supply: Always ensure that water storage capacity is adequate to meet the demand. Ensure the pump chamber is full of water before starting the pump. Failure to do this could result in seal damage. To ensure dry running does not occur the pump must be primed as described in priming section below. **Do not run pump dry.**

8.1 Priming



Never operate pump with inlet and/or outlet isolating valves in the closed position. Damage will occur!

The pump must be primed (filled with water) before starting.

Turn on water supply from the system service valves, prime and vent the pump by opening the pump inlet and outlet isolating valves to allow pump to fill and vent. In the case of twin pumps, both pump chambers must be independently primed.

Proceed to starting sequence.

8.2 Starting

- a. Ensure the outlet is closed, turn power supply 'on'.
- b. Open and close the outlet in turn associated with the pump (including w/c systems), allowing water to flow from each outlet until all air is purged. As each outlet is opened and closed, the pump will start and stop respectively.
- c. The tap or control valve within the system when opened and closed will now turn the pump on/off. If this is confirmed to be the case, the system is now operating correctly.
- d. Carefully check pump and pipework for leaks whilst pump running and stationary before leaving the installation unattended.

For Further Technical Support: Phone the Bristan Care team on 0844 701 6273. Our staff are trained to help and advise you over the phone.

9 MAINTENANCE



Do not remove the terminal box cover. No user serviceable parts inside.

There are no user serviceable parts available for the pump.



Turn off water supplies to the pump and release pressure by opening water outlets before attempting maintenance.

9.1 Water Scale

As water is heated scale deposits are released in areas of hard water, scale can cause the mechanical seal to stick if left without use for long periods. The pump must be run for at least 5 minutes every four weeks to 'exercise' all working parts. Run on cool water. See Section 10 – Technical Specification for note on water temperature. This particularly applies to guest bathrooms used infrequently.

9.2 Cleaners, Disinfectants and Descalents



Acid based descalents and aggressive cleaning agents must not come into contact with the pump. The pump must be removed from the system prior to the use of these products. The system should be flushed to remove all chemicals before the pump is re-connected.

If in any doubt as to the suitability of the chemical solutions, please contact our Bristan Care helpline on 0844 701 6273.

No other routine maintenance is required.

10 TECHNICAL SPECIFICATION

10.1 Single Model

Pump Model		S2.0 bar Single 47340
General	Warranty	3 years
	Conformity certification	UKCA CE
Features	Pump type	Peripheral
	Pump control	Flow switch
	Anti-vibration feet	✓
	Flexible hoses	2
	Dry run protection	✓
	Typical noise	56 dB(A)
Performance	Maximum head - closed valve	2.0 bar (20 metres)
	Performance @ 9 l/min	1.0 bar (10 metres)
	Performance @ 18 l/min	0.2 bar (2 metres)
	Maximum flow	19 l/min
	Maximum static inlet pressure	10 metres
	Maximum working pressure*	380 kPa (3.8 bar)
	Maximum ambient air temperature	40 °C
	Min / Max water temperature**	Min 4 °C / Max 65°C
	Flow switch sensitivity	0.8 l/min (approx)
Materials	Pump body	Plastic
	Impeller	Plastic
	Mechanical seal	EPDM / PTFE / Al. Oxide
Connections	Pump connections	G ¾ M
Flexible hoses	Connections (UK model)	G ¾ F x 15 mm push-in x 210 mm
Motor	Type	Induction (auto-reset thermal trip)
	Duty rating	Continuous (S1) @ 9 l/ min and above
Electrical	Power supply (Vac/Ph/Hz)	230 V a.c. / 1 / 50 Hz
	Power consumption - P1	215 Watts
	Current - full load	1.0 Amps
	Fuse rating	5 Amps
	Power cable length	1.5 metres (pre-wired to terminal block)
Physical	Enclosure protection	IP22
	Length	208 mm
	Width	132 mm
	Height - excluding hoses	171 mm
	Weight - including fittings	3.4 Kg

10.2 Twin Models

Pump Model		S1.5 bar Twin 47342	S2.0 bar Twin 47343
General	Warranty	3 years	
	Conformity certification	UKCA CE	
Features	Pump type	Peripheral	
	Pump control	Flow switch	
	Anti-vibration feet	✓	✓
	Flexible hoses	4	4
	Dry run protection	✓	✓
	Typical noise	57 dB(A)	57 dB(A)
Performance	Maximum head - closed valve	1.5 bar (15 metres)	2.0 bar (20 metres)
	Performance @ 9 l/min	1.1 bar (11 metres)	1.5 bar (15 metres)
	Performance @ 18 l/min	0.6 bar (6 metres)	0.9 bar (9 metres)
	Maximum flow	32 l/min	37 l/min
	Maximum static inlet pressure	10 metres	
	Maximum working pressure*	380 kPa (3.8 bar)	
	Maximum ambient air temperature	40 °C	
	Min / Max water temperature**	Min 4 °C / Max 65 °C	
Flow switch sensitivity	0.8 l/min (approx)		
Materials	Pump body	Plastic	
	Impeller	Plastic	
	Mechanical seal	EPDM / PTFE / Al. Oxide	
Connections	Pump connections	G ¾ M	
Flexible hoses	Connections (UK model)	G ¾ F x 15 mm push-in x 210 mm	
Motor	Type	Induction (auto-reset thermal trip)	
	Duty rating	Continuous (S1) @ 9 l/min and above***	
Electrical	Power supply (Vac/Ph/Hz)	230 V a.c. / 1 / 50 Hz	
	Power consumption - P1	385 Watts	420 Watts
	Current - full load	1.7 Amps	1.8 Amps
	Fuse rating	5 Amps	
	Power cable length	1.5 metres (pre-wired to terminal block)	
Physical	Enclosure protection	IP22	
	Length	231 mm	
	Width	132 mm	
	Height - excluding hoses	171 mm	
	Weight - including fittings	4.7 Kg	

Bristan reserve the right to amend the specification in line with its policy of continuous development of its products.

Note: For information on other voltages/frequencies which are not shown, consult Bristan Care helpline on 0844 701 6273.

***Note:** The maximum pressure that can be applied to the pump under any installation conditions.

****Note:** A stored water temperature of 60 °C is considered sufficient to meet all normal requirements and will minimize deposition of scale in hard water areas.

*****Note:** Both heads pumping 4.5 l/min and above.



Maximum permissible water temperature 65 °C.

Noise: The equivalent continuous A-weighted sound pressure level at a distance of 1 metre from the pump does not exceed 70 dB(A).

11 TROUBLE SHOOTING GUIDE

11.1 General Guide

Symptoms	Probable Cause	Recommended Action
Pump will not start	Insufficient gravity flow	Check flow rate minimum of 0.8 l/min required on full hot and cold
	Electrical	Check power supply Check fuse (see fuse section) Check circuit breaker is set Check wiring connections
	Pump jammed	If motor 'buzzes' switch off power and contact Bristan
	Integral motor thermotrip activated	Wait for thermotrip to auto-reset and check that duty point and run time is within specification (see technical specification)
Reduced/ intermittent flow	Incorrect or no anti-aeration flange fitted	Check that the installation complies with installation instructions
	Incorrect pipe sizes	Check for correct pipe sizing, see Section 4.4 - Pipework
	Blocked inlet strainer filters	Clean inlet strainer filters
	Hot water temperature set too high	Reduce cylinder stat setting to 65 °C max
	Blocked shower head spray plate	Clean in accordance with manufacturers instructions
No hot water	Air locked water feed	Vent hot water pump of air Check cold feed to hot water cylinder Check water level in cold water tank and that all stopcocks and isolating valves are open
	Heat source not operating	Check boiler is switched 'on' Check cylinder thermostat Check immersion heater Check cylinder contains hot water

Symptoms	Probable Cause	Recommended Action
No hot water (cont)	All hot water has been used	Check tank volume is adequate
	Faulty thermostatic mixer valve	Consult makers instructions
Pump runs on with outlets closed	Leak in system	Check tap washers, w/c valve washers, pipe joints
	Damaged reed switch or P.C.B.	If pump continues to run, this indicates a closed circuit in either the flow switch reed or P.C.B. in the terminal box Contact Bristan
	Jammed flow switch	Remove outlet hoses and check that flow switch sits in lowest position Check float for free movement
Pump starts with all outlets closed	Air in system	Bleed through system without pump running until hot and cold services run with no air
Flexible hose leaks	Not fitted correctly	Check that the hose is pushed firmly onto the pump inlet/outlet connections and pipework
	Damaged 'O'-rings	Check copper pipe ends are cleanly cut and deburred

At Bristan, we want to make things as easy as possible for our customers. That's why we offer solid guarantees on all our products, effective from the date of purchase, to give you peace of mind.

To start your free guarantee simply scan the QR code and register your product.
Alternatively visit www.bristan.com/register.

For any other queries, please call our Customer Service on 0330 026 6273 where our expert team of advisors will be able to offer you any help and advice.

For full guarantee terms and conditions visit www.bristan.com/guarantees.



We Know & We Care

NOTES:



DECLARATION OF CONFORMITY



Supply of Machinery Regulations - 2008

EN ISO 12100:2010, EN 809:1998+A1:2009/AC:2010

Electrical Equipment Regulations - 2016

EN 60335-1:2012/A2:2019, EN 60335-2-41:2003/A2:2010

EMC Regulations - 2016

EN 55014-1:2017/A11:2020, EN 55014-2:2015, EN 61000-3-2:2014, EN 61000-3-3:2013

EMF Regulations - 2016

EN 62233:2008

RoHS Regulations - 2012

EN IEC 63000:2018

Machinery Directive - 2006/42/EC

EN ISO 12100:2010, EN 809:1998+A1:2009/AC:2010

Low Voltage Directive - 2014/35/EC

EN 60335-1:2012/A2:2019, EN 60335-2-41:2003/A2:2010

EMC Directive - 2014/30/EU

EN 55014-1:2017/A11:2020, EN 55014-2:2015, EN 61000-3-2:2014, EN 61000-3-3:2013

EMF Directive - 1999/519/EC

EN 62233:2008

RoHS Directive - 2011/65/EU

EN IEC 63000:2018

WEEE Directive - 2012/19/EU

IT IS HEREBY CERTIFIED THAT THE STUART ELECTRIC MOTOR DRIVEN PUMP AS SERIAL NUMBER BELOW, COMPLIES WITH THE ESSENTIAL REQUIREMENTS OF THE ABOVE STATUTORY REGULATIONS & E.U. DIRECTIVES.



STUART TURNER LIMITED
HENLEY-ON-THAMES, OXFORDSHIRE
RG9 2AD, ENGLAND.

RESPONSIBLE PERSON AND MANUFACTURER

Signed

EU AUTHORISED REPRESENTATIVE

ARC (AUTHORISED REP COMPLIANCE)
GND FLOOR, 71 LOWER BAGGOT
STREET, DUBLIN,
D02 P593, IRELAND.

Stuart Turner are an approved company to BS EN ISO 9001:2015



Bristan Group Limited, Birch Coppice Business Park,
Dordon, Tamworth, Staffordshire B78 1SG ENGLAND

Tel: 0844 701 6274 Fax: 0844 701 6275

email: enquire@bristan.com web: www.bristan.com