

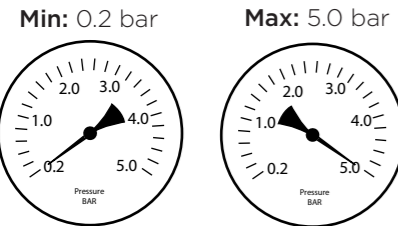
# BRISTAN

## Installation Instructions & User Guide

Please leave these instructions with the end user  
**Product Code: OP TS3650 EL C (D2)**  
**OP TS3650 EH C**

### Specifications

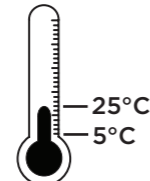
#### Working Pressures



Maximum Static Pressure: 10.0 bar

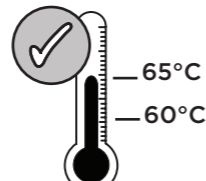
#### Inlet Water Temperature

##### Cold Water Supply



Min: 5°C Max: 25°C  
**Factory pre-set 41°C**

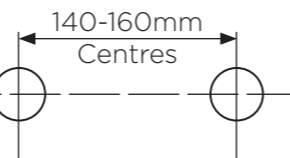
##### Hot Water Supply



60-65°C Recommended

**IMPORTANT**  
 The inlet hot water must be at least 10°C above the required blend temperature.

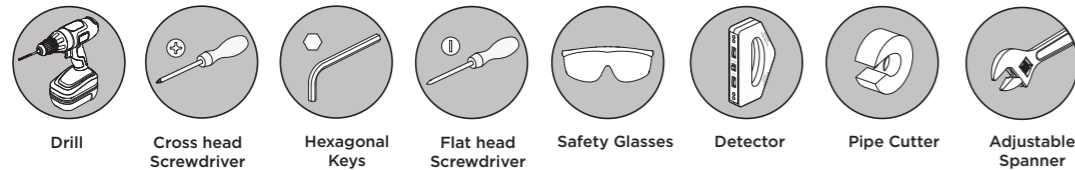
#### Inlet Dimensions



#### Inlet Connections



### Tools You'll Need



#### TMV Designations:

TMV2: HP-SE  
 TMV3: HP-SE & LP-SE

### Prior to Installation

All products manufactured and supplied by Bristan are safe to use provided that they are installed, operated and receive regular maintenance in accordance with these instructions.

This product needs to be installed in accordance with, and meet the requirements of the Water Supply (Water Fittings) Regulations 1999 and current by-laws. For full Installation Requirements & Notes (IRN) please visit [wras.co.uk/directory](http://wras.co.uk/directory).

Isolation valves must be fitted to the inlet water supplies to ensure ease of future maintenance.

Before installing this product the water supply must be thoroughly flushed in order to remove any swarf, solder etc.

This product must not be modified in any way as this will invalidate the guarantee.

Full access must be made available for future maintenance/servicing purposes.

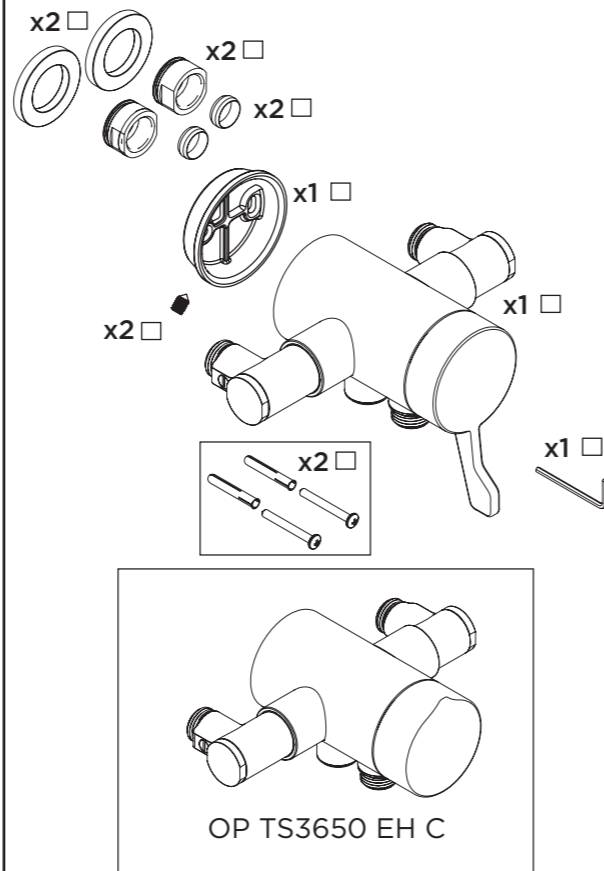
Before drilling into walls, check that there are no hidden electrical wires, cables or water supply pipes. This can be checked with the aid of an electronic detector.

If power tools are used do not forget to:  
 - Wear eye protection  
 - Unplug equipment after use

If in doubt, contact a registered plumber or your Local Water Authority or the Secretary of the Institute of Plumbing, address as follows:-

The Institute of Plumbing,  
 64 Station Lane,  
 Hornchurch,  
 Essex,  
 RM12 6NB, Tel: 01708 472791

### Pack Contents



OP TS3650 EH C

### Installation

1

Identify the required position of the valve and prepare the water supply pipes. Supply pipes can be 140mm-160mm apart and should protrude 15mm from the wall. To adjust centres unscrew the elbows to desired distance. Using the backplate supplied with the shower, mark and drill holes.

**REMEMBER**  
 hot on the left,  
 cold on the right

2

Screw backplate to wall.

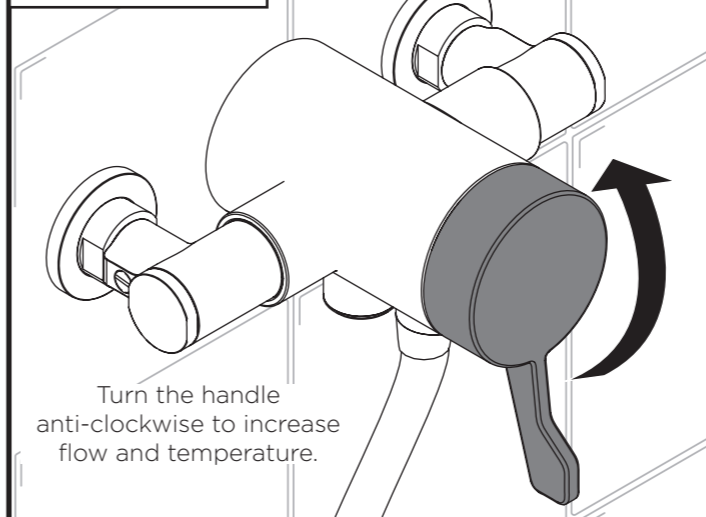
3

Connect water supplies.

4

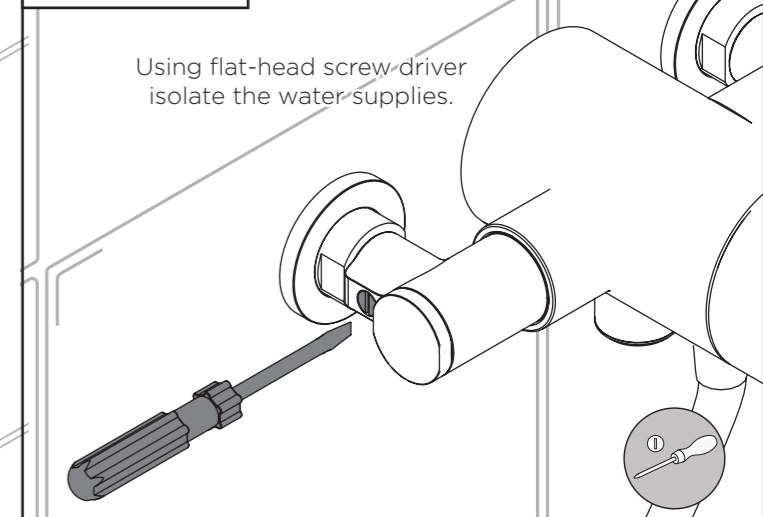
Attach valve to backplate by tightening the two grub screws & connect chosen outlet.

### Operation



Turn the handle anti-clockwise to increase flow and temperature.

### Isolation



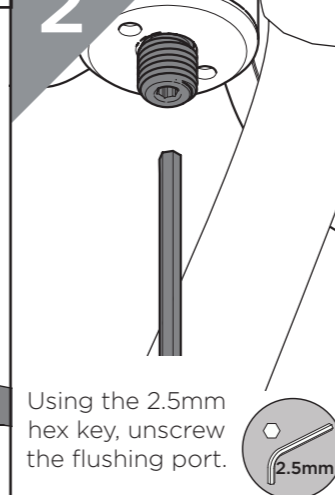
Using flat-head screw-driver isolate the water-supplies.

### Thermal Flushing

1

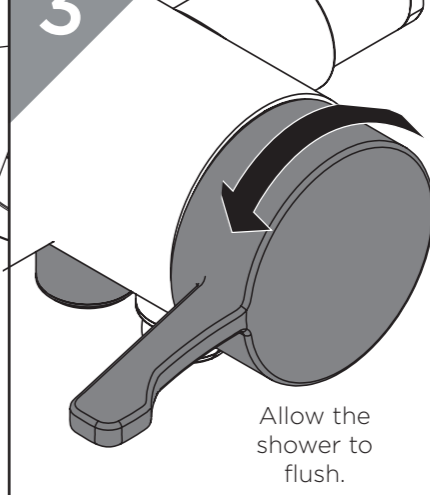
Isolate cold supply using a flat-head screw driver.

2



Using the 2.5mm hex key, unscrew the flushing port.

3



Allow the shower to flush.

4



Reverse steps 2 & 1

## Temperature Setting

**1** Turn on the shower to maximum hot temperature. Wait for the temperature to stabilise.

**2** Remove the handle using a 2.5mm hex key.

**3** Using a hex key, turn the internal cartridge spindle clockwise to decrease the temperature. Turn cartridge spindle anti-clockwise to increase the temperature.

**4** Reverse steps 2 & 1.

**IMPORTANT**  
This shower is pre-set to 41°C as per TMV standards. If the maximum temperature is increased the shower will no longer comply with the TMV scheme.

## Maintenance - Cartridge Cleaning

**1** Isolate hot & cold supplies using flat head screw driver.

**2** Remove the grub screw cap. Using 2.5mm hex key remove grub screw. Remove handle, cartridge nut & temperature stop.

**3** Remove the cartridge and soak in a suitable solution.

**4** Check & replace any O-rings. Re-grease using WRAS approved grease.

**5** Push cartridge back into body.

**6** Reverse steps 2 & 1.

## Servicing Intervals

To reduce the build up of limescale and to ensure this shower works to its maximum performance we recommend this shower is serviced every 6-12 months depending on the hardness of your water.

## Spare Parts

To replace any spare parts for your shower why not scan the below QR Code and search for your product.



**REMEMBER**  
To service your product!

## Maintenance - Filters

**1** Isolate hot & cold supplies using flat head screw driver.

**2** Unscrew caps & pull out basket assemblies.

**3** Unscrew basket assembly & remove filters, NRV's, flow limiters and clean using a suitable solution

**4** Reverse steps 3, 2 & 1.

Hot - Black  
Cold - Brown

## General Cleaning

Your fitting has a high quality finish and should be treated with care to preserve the visible surfaces.

All surfaces will wear if not cleaned correctly, the only safe way to clean your shower is to wipe with a soft damp cloth. Stains can be removed using washing up liquid. All bath cleaning powders and liquids will damage the surface of your fitting, even the non-scratch cleaners.

**Note:** Never use abrasive detergents or disinfectants or those containing alcohol, hydrochloric acid or phosphoric acid.

## Troubleshooting

Symptom	Cause	Remedy
<b>No flow or low flow rate</b>	Partially closed isolation valve.	Open isolation valve.
	Instantaneous water heater cycles on and off as flow rate or pressure is too low.	Increase water flow rate or pressure through system.
	Head of water is below the minimum distance required.	2 meters minimum required.
	Hot or cold water being drawn off elsewhere causing pressure changes or instantaneous boiler temperature changes.	Do not use other water outlets when using the shower.
	Airlock or partial blockage in the supply pipe work.	Flush through pipe work to ensure removal of debris and any airlocks.
<b>Water dripping from shower</b>	This is normal for a short time after using the shower.	This is caused by residual water tension, the build up of water in the shower.
	If water continues to drip, possibly due to the cartridge	Remove cartridge and clean, refer to 'Maintenance' section before starting any maintenance.
<b>Shower does not turn on</b>	Closed isolation valve.	Open isolation valve.
	Mains water supply turned off.	Turn on mains water supply.

At Bristan, we want to make things as easy as possible for our customers. That's why we offer solid guarantees on all our products, effective from the date of purchase, to give you peace of mind.

To start your free guarantee simply scan the QR code and register your product. Alternatively visit [www.bristan.com/register](http://www.bristan.com/register).

For any other queries, please call our Customer Service on 0330 026 6273 where our expert team of advisors will be able to offer you any help and advice.

For full guarantee terms and conditions visit [www.bristan.com/guarantees](http://www.bristan.com/guarantees).



*We Know & We Care*