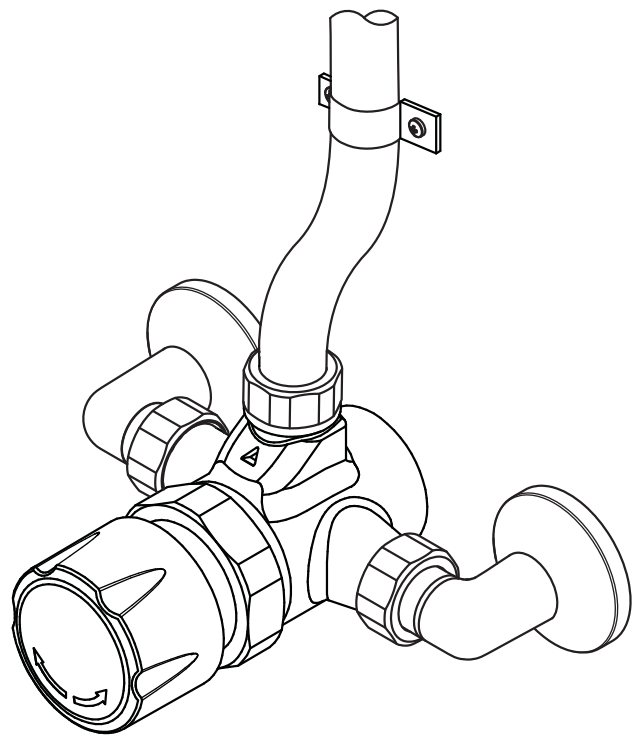

BRISTAN

Installation Instructions & User Guide

Temperature Control Time
Flow Shower



Models covered: TFS 1 C

Please keep this booklet for future reference.

Installer, when you have read these instructions please ensure you leave them with the user.



Contents

Thank you for choosing Bristan, the UK's leading taps and showers expert.

We have designed this product with your enjoyment in mind. To ensure that it works to its full potential, it needs to be fitted correctly. These fitting instructions have been created to give you all of the information you need and if you need any further help, please do not hesitate to contact us.

Important Safety Information.....	3
Specifications	4
Dimensions	5
Pack Contents	6
Installation.....	7-8
Operation & Temperature Setting	9
Maintenance	10-11
Troubleshooting	12-13
Guarantee	14-15

Important Safety Information

- Please read these instructions thoroughly and retain for future use.
- All products manufactured and supplied by Bristan are safe provided they are installed, used correctly and receive regular maintenance in accordance with these instructions.
- **If you are in any doubt about your ability to install this product safely you must employ the services of an experienced qualified plumber.**
- This fitting needs to be installed in accordance with, and meet the requirements of the Water Supply (Water Fittings) Regulations 1999 and Scottish Byelaws 2004.
- Remove all packaging and check the fitting for damage before starting installation.
-  **Warning:** Before starting any installation please consider the following: before drilling into walls, check that there are no hidden electrical wires, cables or water supply pipes. This can be checked with the aid of an electronic detector.
- If power tools are used do not forget to:
 - Wear eye protection
 - Unplug equipment after use
- **Important:** Remember to turn off the mains water supply before connecting to any existing pipe work. Fitting isolating valves to the inlet feeds is recommended for ease of maintenance.
-  **Warning:** Before installing the new fitting it is essential that you thoroughly flush through the pipework in order to remove any remaining swarf, solder, etc. Failure to carry out this procedure could cause problems or damage to the workings of the fitting.
- Your fitting has a high quality finish and should be treated with care to preserve the visible surfaces. All surfaces will wear if not cleaned correctly, the only safe way to clean your fitting is to wipe with a soft damp cloth. Stains can be removed using washing up liquid. All bath cleaning powders and liquids will damage the surface of your fitting, even the non-scratch cleaners.

Note: Never use abrasive detergents or disinfectants or those containing alcohol, hydrochloric acid or phosphoric acid.
- This product **must** not be modified in any way as this will invalidate the guarantee.

Specifications

Inlet Connections: 15mm Compression with 145-165mm between centres.

Outlet Connection: 22mm Compression.

Minimum working pressure: 1.0 bar

Maximum working pressure: 5.0 bar

Maximum static pressure: 10.0 bar

System Requirements:

Gravity fed hot & cold (Equal pressures)

Gravity fed hot & cold (Differential pressure, maximum ratio 5:1)

Unvented systems

Instantaneous water heater (Combination boiler)

Timed Flow: 30 Seconds \pm 5 Seconds

This product has been tested to the Water Regulations Advisory Scheme (WRAS) and satisfies the requirements of the Water Supply (Water Fittings) Regulations 1999 and current bylaws.

For full Installation Requirements & Notes (IRN) please visit www.wras.co.uk/directory.

Designed to comply with and be used within systems designed to BS 6700.

BS 6700 recommends the temperature of stored water should never exceed 65°C. A stored water temperature of 60°C is considered sufficient to meet all normal requirements and will minimise the build up of lime scale in hard water areas.

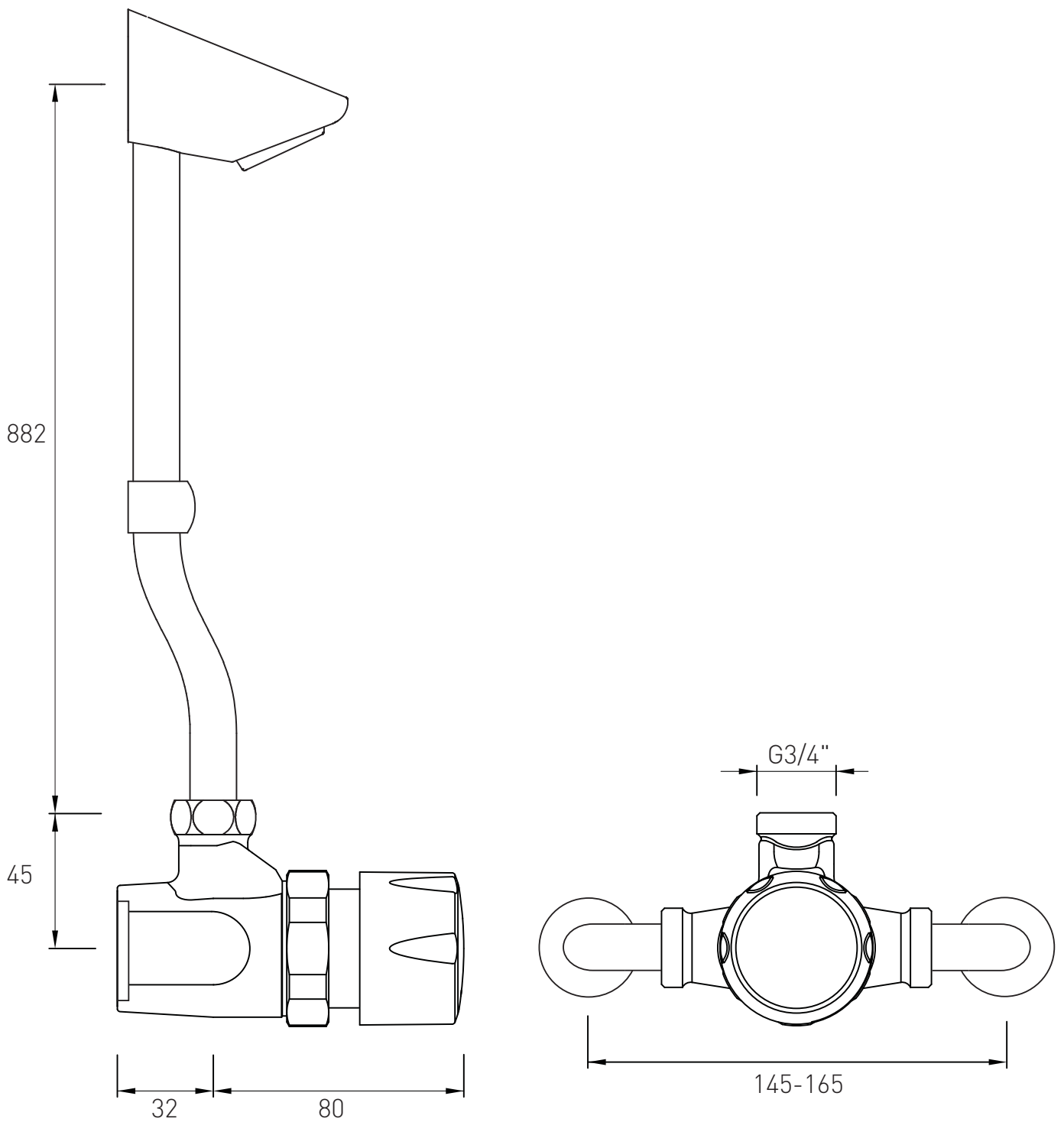
If the fitting is installed at low pressure (tank fed), then the minimum distance from the highest installed position of the outlet to the underside of the cold tank should be at least 10 metres to ensure adequate performance.

This shower should be installed in compliance with the Water Regulations. Where the supplies are unbalanced, i.e. Hot water from cylinder tank / cold from the mains, approved check valves must be fitted in the supply pipes.

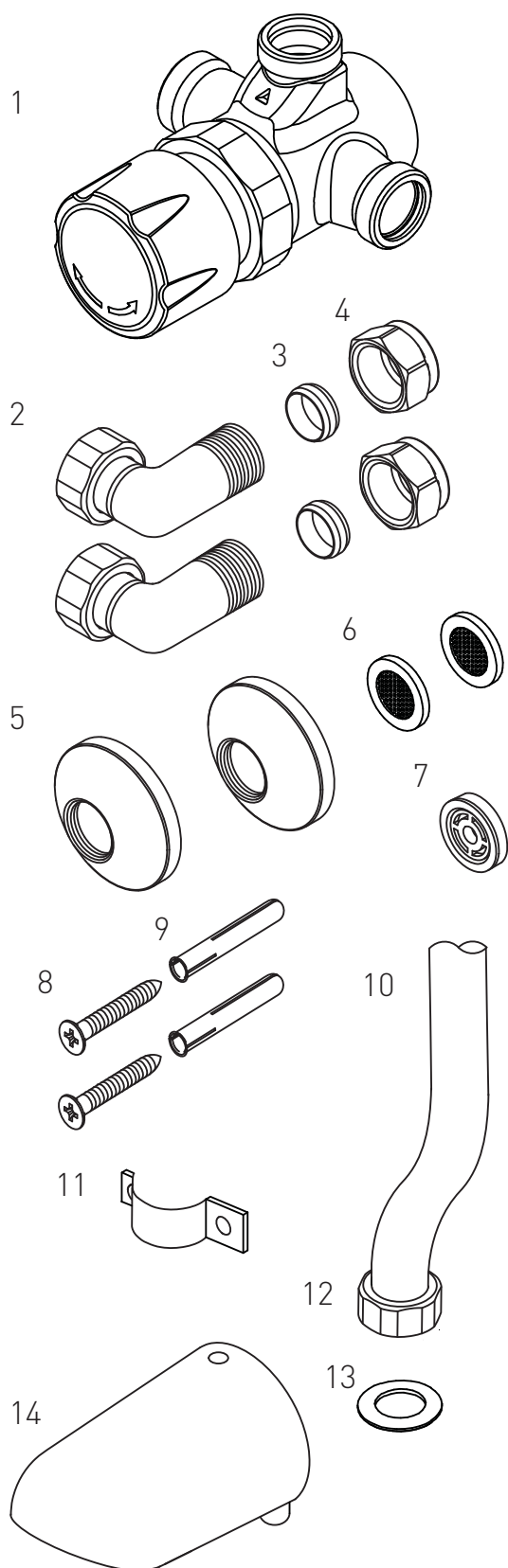
For further details contact your Local Water Authority.

Dimensions

Dimensions are in millimetres.

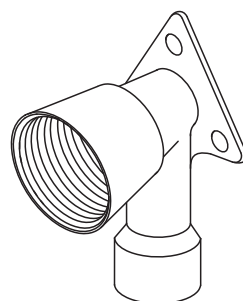


Pack Contents

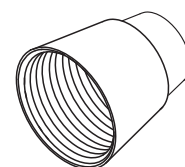


1	Shower Valve	x1
2	Elbows	x2
3	Olives	x2
4	Compression Nuts	x2
5	Shrouds	x2
6	Filter Washers	x2
7	8 L/P/M Flow Regulator	x1
8	Screws	x2
9	Wall Plugs	x2
10	Riser Rail	x1
11	Riser Clamp	x1
12	Nut	x1
13	Washer	x1
14	Shower Head	x1

Suggested Fittings (Not Supplied)



1/2" Female
Wall plate elbow



1/2" Female -
Copper
connector

Installation

1. Prepare water supply pipes

Terminate suitable pipework inside the wall cavity / stud partition with 145-165mm pipe centres and 1/2" BSP female connectors.

Flush through the pipework to ensure removal of any debris.

Important: The pipework and 1/2" BSP female connectors **must** be secure and rigid so that it is unable to move. If installing the pipework in a stud partition, a wooden batton may be required to secure the female connectors (as shown).

The 1/2" BSP female connectors must be installed in such a position that when the elbow shrouds are screwed fully onto the elbows and the valve is fitted to the wall, the elbow shrouds are flush against the finished wall surface. This is to ensure that the valve can not move.

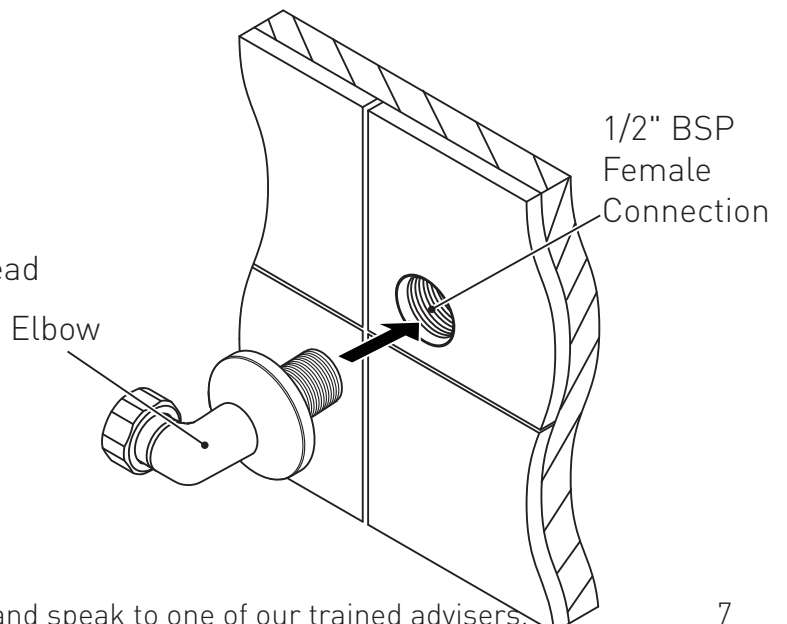
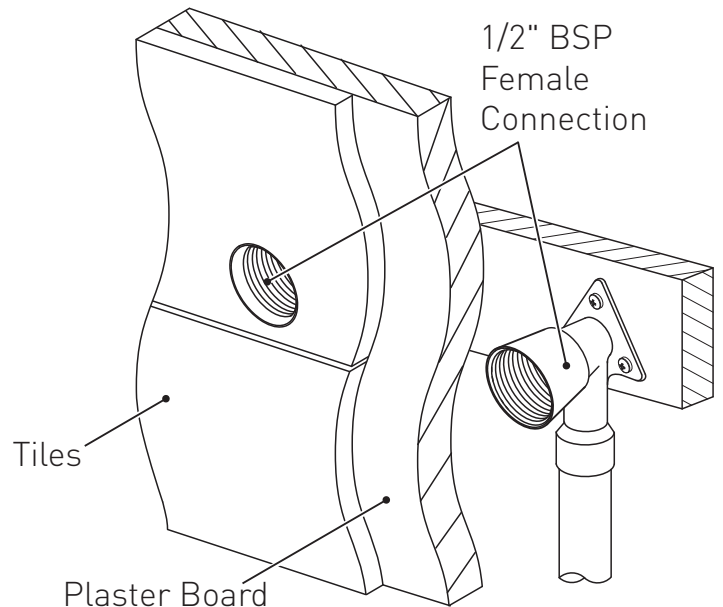
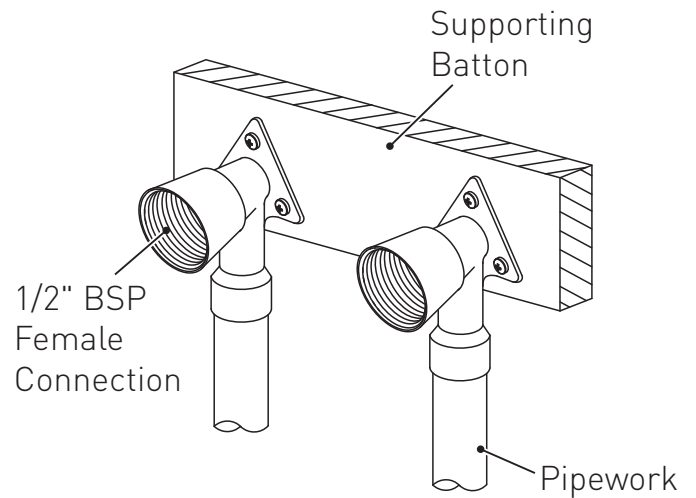
Note: If 1/2" female connectors are not used the compression nut and olives can be used however the pipework **must** be secure and rigid so that it is unable to move.

2. Finish Wall

Finish the wall surface using plasterboard and tiles.

3. Fit Elbows

Screw the elbows into the 1/2" BSP female connectors using a suitable thread sealant.



Installation

4. Fit Shower Valve

Place the shower valve body into position against the wall and adjust the elbows to the valve body ensuring the filter washers are fitted into the elbow nuts. Tighten the elbow nuts ensuring they are fully tightened with the use of a suitable spanner.

Note: Take care not to damage the finish of the fixing nuts. Protect the chromium plated surfaces with a cloth.

Fit the 8 l/p/m flow regulator into the shower valve outlet.

5. Fit Rigid Riser Tube

Screw the rigid riser tube onto the shower valve outlet ensuring the washer is fitted. Ensure vertical with the use of a spirit level and tighten the nut fully using a suitable spanner.

Fit the riser clamp using the fixings supplied or suitable fixings for wall / surface type.

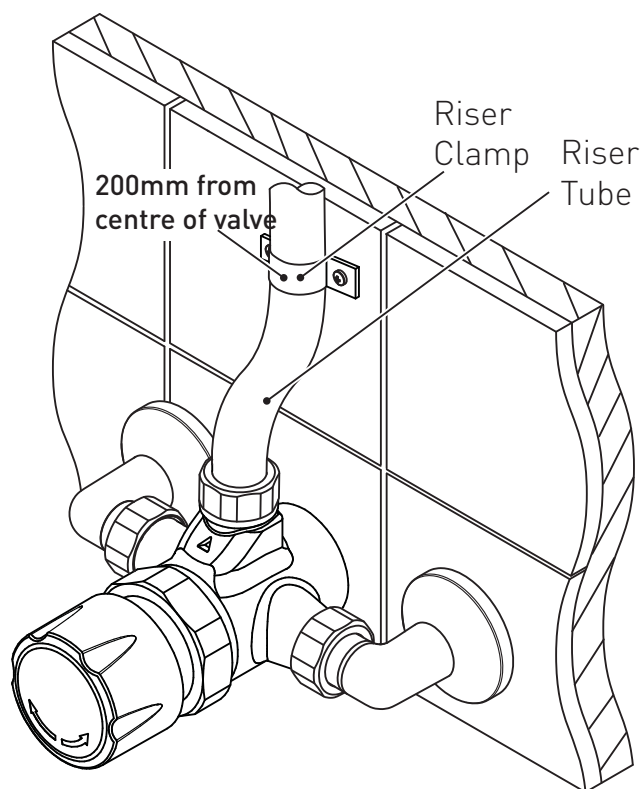
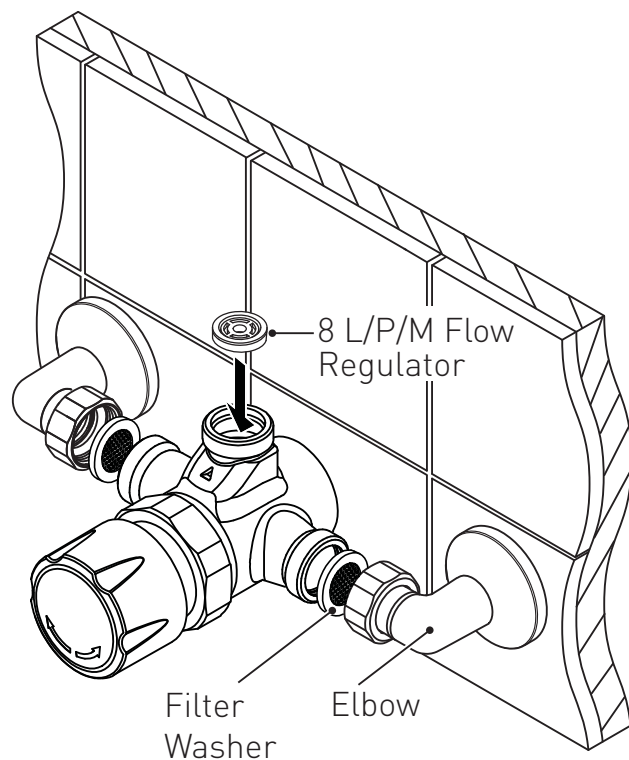
Important: The riser clamp must be fitted 200mm above the centre of the shower valve to ensure maximum security.

6. Fit Shower Head

Remove the grub screw from the top of the showerhead and remove the backplate. Push the backplate into the top of the riser ensuring the nipple is fully fitted into the riser and mark the position on the wall surface. Remove the backplate from the riser tube and unscrew the centre nut to reveal the backplate fixing.

Position the backplate fixing onto the wall at the marked position and mark the fixing holes onto the wall surface. Drill suitable holes and secure the backplate to the wall using suitable fixings (Not supplied).

Fit the backplate into the top of the riser tube and onto the backplate fixing and secure with the centre nut. Replace the shower head and secure in position with the top grub screw.



Operation & Temperature Setting

1. Flow Control

To operate the flow of water push the central control knob firmly in and release.

The water will flow for approximately 30 seconds \pm 5 seconds.

2. Temperature

Turn the control knob clockwise for a cooler temperature.

Turn the control knob anti-clockwise for a hotter water temperature.

Maximum Temperature Setting

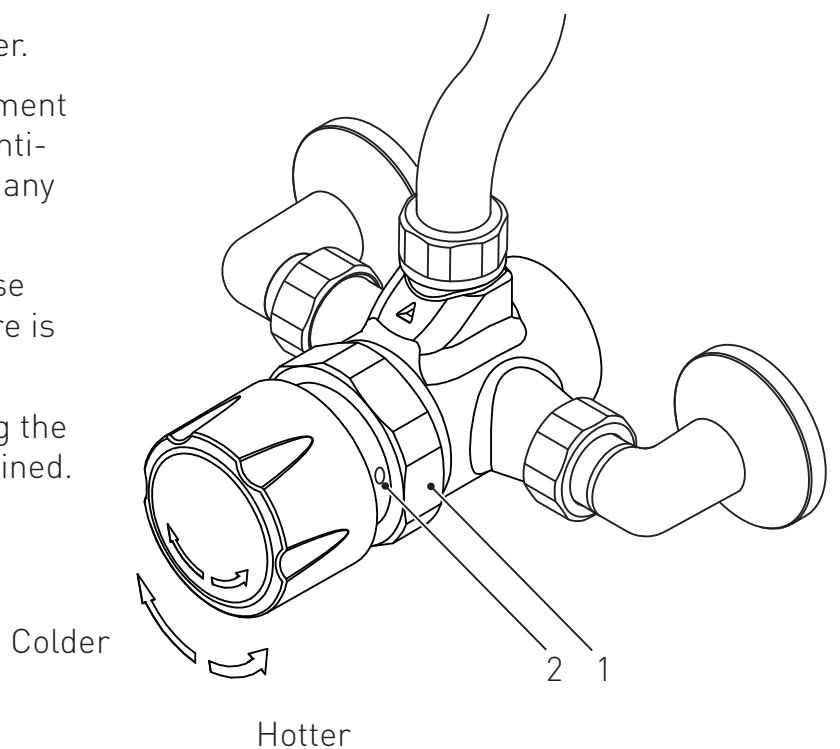
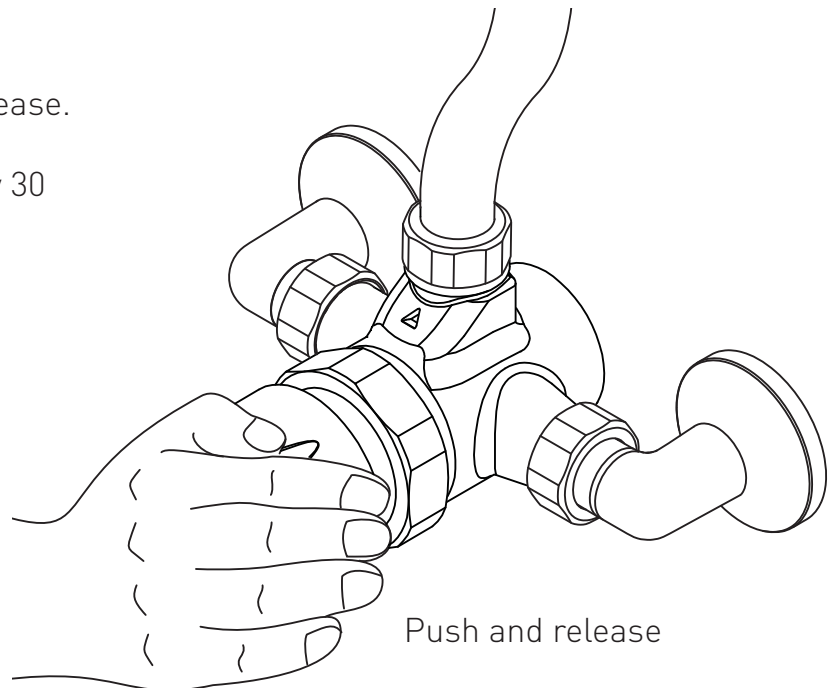
Loosen the body nut (1) by a quarter turn to allow rotation of the inner ring (2).

Turn the control knob to full cold and press push in to obtain a flow of water.

Insert a \varnothing 4.5mm rod into the adjustment hole in the inner ring (2) and rotate anti-clockwise until the ring cannot move any more.

Rotate the control knob anti-clockwise until the maximum water temperature is obtained.

Tighten the body nut (1) fully ensuring the adjustment position has been maintained.



Maintenance

General Cleaning

Your fitting has a high quality finish and should be treated with care to preserve the visible surfaces. All surfaces will wear if not cleaned correctly, the only safe way to clean your mixer is to wipe with a soft damp cloth. Stains can be removed using washing up liquid. All bath cleaning powders and liquids will damage the surface of your fitting, even the non-scratch cleaners.

Note: Never use abrasive detergents or disinfectants or those containing alcohol, hydrochloric acid or phosphoric acid.

Cleaning the Cartridge

Before carrying out any maintenance, turn off both water supply or close any isolating valves to the shower valve. Operate the shower to release any built up water pressure within the shower.

Loosen the large body nut using a suitable spanner.

Note: Take care not to damage the finish of the nut. Protect the chromium plated surfaces with a cloth.

Pull the handle away from the body to remove the cartridge assembly from the shower valve body.

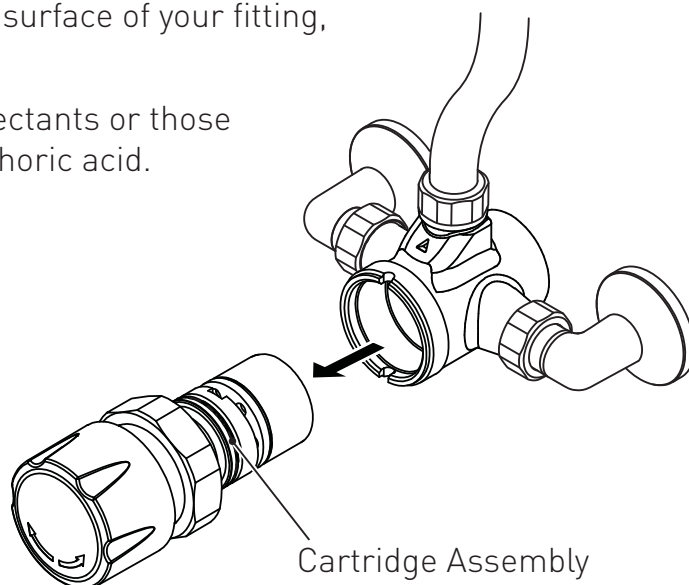
Clean any debris off the cartridge assembly using clean running water only.

Grease the 'O' rings using a suitable silicon grease and push the cartridge assembly back into the shower valve body.

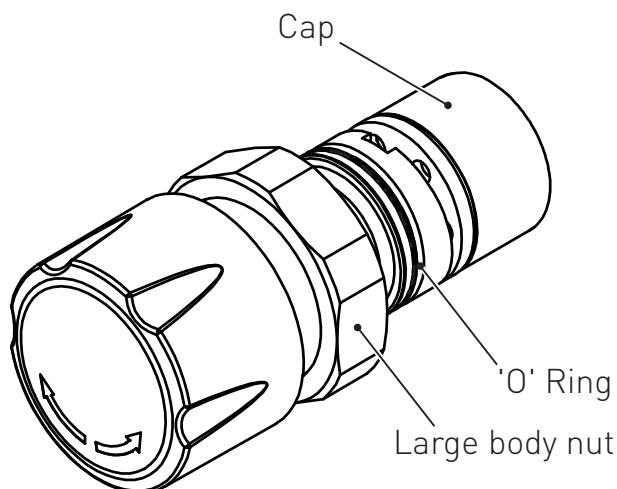
Note: The cartridge assembly has a locating pin which needs to be fitted into the body at the bottom.

Tighten the large body nut securely using a suitable spanner taking care not to damage the chromium plated surface.

Turn on both water supplies and test the shower valve.



Cartridge Assembly



Maintenance

Cleaning the Non Return Valves

Before carrying out any maintenance, turn off both water supplies or close any isolating valves to the shower valve.

Unscrew the rigid riser and both elbows and remove valve body from the wall taking the filter washers out.

To remove Non return valves use long nose pliers to remove the retaining clip and then remove the flat washer and spring.

Pull the NRV out from the valve body. The NRV will come out in the NRV housing.

Push the NRV out of the housing and clean under clean running water only to remove any debris.

If the NRV's are damaged replace with a new NRV supplied by Bristan.

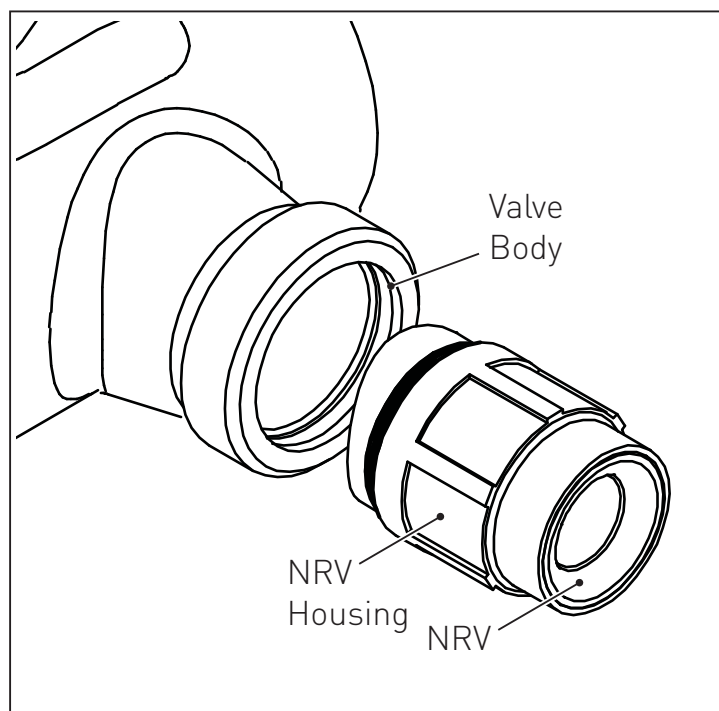
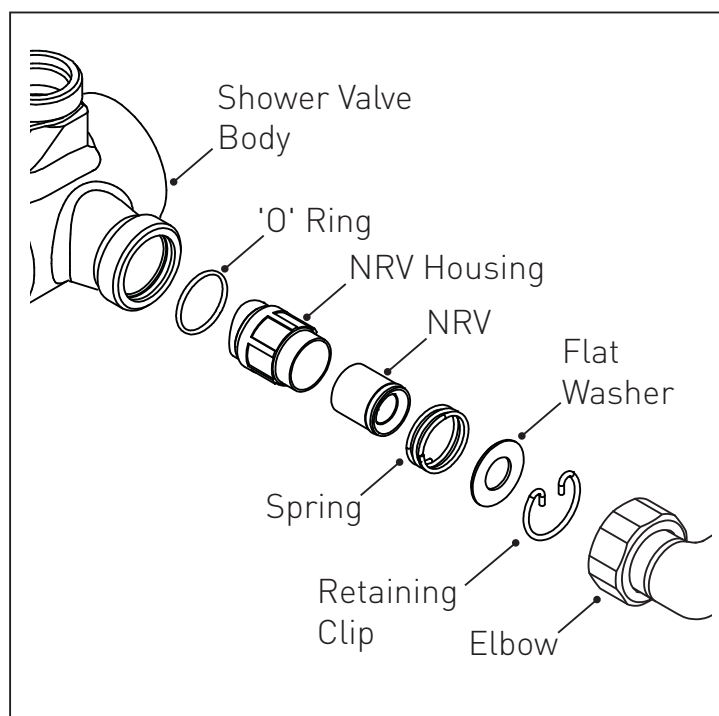
Replace the NRV into the housing and push back into the valve body ensuring the 'O' ring on the bottom of the housing is fitted.

Replace the spring and flat washer pushing down onto the spring and replace the retaining clip using long nose pliers.

Replace the shower valve to the elbows ensuring the filter washers are fitted and tighten fully using a suitable spanner. Retighten rigid riser ensuring washer is fitted.

Note: Take care not to damage the finish of the nuts. Protect the chromium plated surfaces with a cloth.

Turn on both water supplies and operate the shower to ensure it is working correctly.



Troubleshooting

Symptom	Cause	Remedy
Shower will not operate when control knob is fully pushed in.	Isolation valves closed.	Open Isolation valves.
	User is holding in control knob.	Release control knob. The water will not flow if the control knob is held in by the user.
	Head of water is below the minimum required.	Refer to 'Specifications' section on page 4.
	Airlock or blockage in water supply pipework.	Flush through the water supply pipework to ensure removal of any debris or airlocks.
	Instantaneous water heater (if being used) cycles on and off as flow rate or water pressure is too low.	Increase water flow rate or water pressure through system to meet required minimum working pressure of shower valve.
Shower will not shut off.	Shower cartridge assembly faulty or requires servicing / cleaning.	Remove shower cartridge assembly and clean / replace. Refer to 'Maintenance' section on pages 10-11 before dismantling the shower valve.
Shower does not run for long enough.	Isolation valves partially closed.	Open isolation valves fully.
	Insufficient water pressure	Check water supply pressure. Refer to 'Specifications' section on page 4.
	Shower cartridge assembly faulty or requires servicing / cleaning.	Remove shower cartridge assembly and clean / replace. Refer to 'Maintenance' section on pages 10-11 before dismantling the shower valve.
	Flow regulator blocked.	Remove flow regulator from rigid riser connection and clean. Turn off both water supplies or close any isolation valves before removing the riser / flow regulator.

Troubleshooting

Symptom	Cause	Remedy
Poor flow from the showerhead.	Showerhead blocked.	Remove showerhead and clean spray plate.
	Flow regulator blocked.	Remove flow regulator and clean. Turn off the mains water supply or close any isolation valves before removing the riser / flow regulator.
	Insufficient water pressure.	Check water supply pressure. Refer to 'Specification' section on page 4.
	Isolation valves partially closed.	Open isolation valves.

Guarantee

At Bristan, we want to make things as easy as possible for our customers. That's why we design products that are easy to fit and use, and that are quality tested to make sure they won't let you down. It's also why we offer solid guarantees on all products, effective from the date of purchase, to give you peace of mind.

Bristan's Commercial Showers are covered by a **1 year guarantee**. This also includes **1 year labour cover** * (subject to registration) which means that, in the unlikely event that there is a problem in the first year after purchase, we'll send one of our expert engineers to fix it.

*Labour is provided by an approved Bristan Care engineer or appointed representative. The guarantee only applies to products with a manufacturing fault. There will be a call out charge for any incidents where no fault has been found with the product, or if the issue is due to poor installation or maintenance.

Guarantee Terms and Conditions

This guarantee is in addition to your statutory and other legal rights and is subject to the following conditions:

- The product was purchased within the United Kingdom or Republic of Ireland.
- The guarantee applies solely to the original purchaser with proof of purchase.
- The installation must allow ready access to all products for the purpose of inspection, maintenance or replacement.

- Repair under this guarantee does not extend the original expiry date. The guarantee on any replacement parts or product ends at the original expiry date.

- Any part found to be defective during the guarantee period will be replaced without charge, providing that the product has been installed in accordance with the instructions given in this guide and used as the manufacturer intended.

The guarantee does not cover:

- Damage or defects caused by;
 - General wear and tear (including special non-chrome finishes; components such as filters, seals, 'O' rings and washers)
 - Incorrect installation
 - Repair using non-Bristan parts
 - Accidental or wilful misuse
 - Corrosion and the use of inappropriate cleaning products
 - System debris including the build up of limescale (which can be controlled through regular servicing and maintenance)
- Compensation for loss of use of the product or consequential loss of any kind.

In the interests of continuous product improvement, Bristan reserves the right to alter product specifications without notice.

The Bristan Product Guarantee does not affect your statutory rights as a consumer.

Guarantee & Service Policy

• Need help?

If this product does not function correctly when first used, contact **Bristan Care Customer Service on 0330 026 6273** where our expert team of advisors will be able to offer you help and advice.

• Problems during the guarantee period

In the unlikely event that you encounter any problems with the product during the guarantee period, contact **Bristan Care Customer Service on 0330 026 6273** with your proof of purchase and we will work to resolve the problem quickly.

Bristan Care Customer Support

Bristan customers also benefit from the support of Bristan Care, our comprehensive customer support package which offers:

Technical support hotline

(Tel: 0330 026 6273) with access to fully trained advisers who can offer installation advice, talk you through quick maintenance checks, or recommend the best course of action to fix any problems with a product.

Expert advice

Find easy to follow 'how to' video guides and technical FAQs online at www.bristan.com. Our guides take you step-by-step through many product installations and you can find plenty of easy guides to quick product fixes and servicing.

Spare parts

We hold thousands of spares and we keep them for discontinued products for over seven years. Spares can easily be ordered online at www.bristan.com and are dispatched the same day.

Expert plumbing engineers

If we can't solve the problem over the 'phone or with a spare part, then we'll send out one of our Bristan Care engineers to take a look. Bristan Care engineers provide free support for products that are within guarantee, but are also available to service products that are out of guarantee for a small charge. For details, please call **Bristan Care Customer Service on 0330 026 6273**.

Part Number: FI TFS 1 C
Issue: D5

BRISTAN

Bristan Group Ltd.
Birch Coppice Business Park
Dordon
Tamworth
Staffordshire
B78 1SG
Web: www.bristan.com
Email: enquire@bristan.com

A Masco Company

Useful contact details:

Customer Service:

0330 026 6273

Customer Service Email:

Customercare@bristan.com

Join us on...

