

## AFTERCARE INSTRUCTIONS

Your fitting has a high quality finish and should be treated with care to preserve the visible surfaces.

All surface finishes will wear if not cleaned correctly, the only safe way to clean your

mixer is to wipe with a soft damp cloth. Stains can be removed using washing up liquid. All bath cleaning powders and liquids will damage the surface of your fitting, even the non-scratch cleaners. **NOTE: Never use abrasive detergents or disinfectants or those containing alcohol, hydrochloric acid or phosphoric acid.**

At Bristan, we want to make things as easy as possible for our customers. That's why we offer solid guarantees on all our products, effective from the date of purchase, to give you peace of mind.

To start your free guarantee, simply scan the QR code and register your product.

Alternatively, visit [www.bristan.com/register](http://www.bristan.com/register) to register your product via a computer.

For full guarantee terms and conditions visit, [www.bristan.com/guarantees](http://www.bristan.com/guarantees)



*We Know & We Care*

### **TELEPHONE HELPLINE: 0330 026 6273**

Bristan Group Limited

UK: Bristan Group

B78 1SG

EU: Masco Group S.à.r.l

14 Rue Strachen

6933 Mensdorf

Luxembourg

(FI TAP ½ & ¾) REV. D5

# BRISTAN

## Jute Basin and Bath Taps

## Fitting Instructions & Contents List

Please keep these instructions for future reference and request of replacement part

## WATER PRESSURE

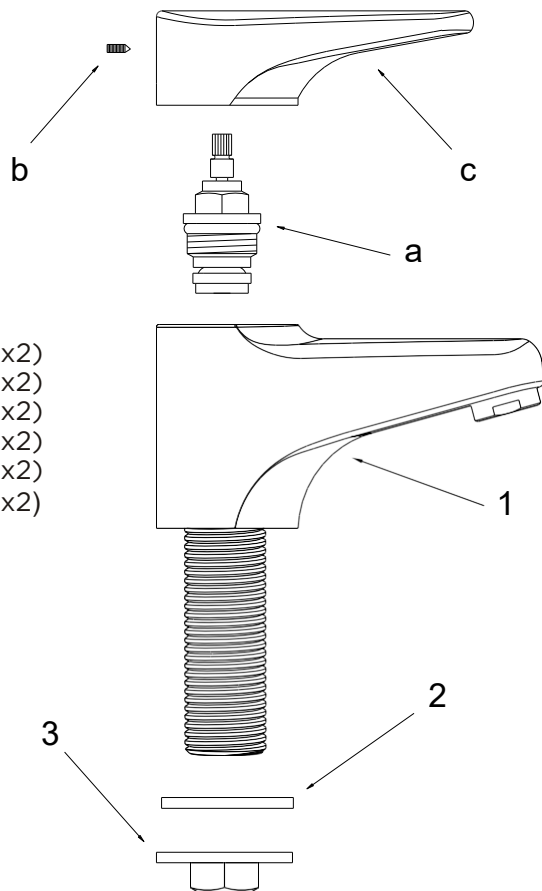
These taps are suitable for use at all supply pressures.

If installed at low pressure (tank fed), then the minimum height from the outlet nozzle to the underside of the cold tank should be 2 metres to ensure adequate shower performance.

These taps should be installed in compliance with the Water Regulations. Where the supplies are unbalanced, i.e hot water from the cylinder tank/cold from the mains, approved check valves must be fitted in the supply pipes. For further details contact your Local Water Authority.

## CONTENTS

- |                   |      |
|-------------------|------|
| 1. Tap Body       | (x2) |
| 2. Backnut Washer | (x2) |
| 3. Backnut        | (x2) |
| a. Valve          | (x2) |
| b. Grub Screw     | (x2) |
| c. Handle         | (x2) |



## INSTALLATION

1. Identify all components and check for completeness, particularly before commencing installation.
2. Install the taps (1) into the basin/bath. The backnut (3) and backnut washer (2) are Used to secure the tap to the surfaces of the basin/bath/
3. Connect the hot and cold water supplies.
4. Turn on the water supplies. Open both taps letting the water flow for a few minutes To check all joints and connections for leaks.
5. See back page for aftercare instructions.

## MAINTENANCE

If the fitting begins to drip

1. Turn off the water supply
2. Remove grub screw (b) and then remove handle (c) by pulling from valve (a).
3. Using a suitable spanner, remove valve. Once removed, carefully clean Seating, rubber washer and ceramic disc.
4. Replace valve and then turn on the water supply.
5. If problem persists contact our helpline quoting the produce code overleaf.

## **PLEASE NOTE:**

In the unlikely event you find a part missing, please contact our Customer Service helpline on **0330 026 6273** for immediate dispatch of part