

PRODUCT DATA SHEET

BRITTON®



PRODUCT CODE

C100DDW

RANGE

CAMBERWELL

DESCRIPTION

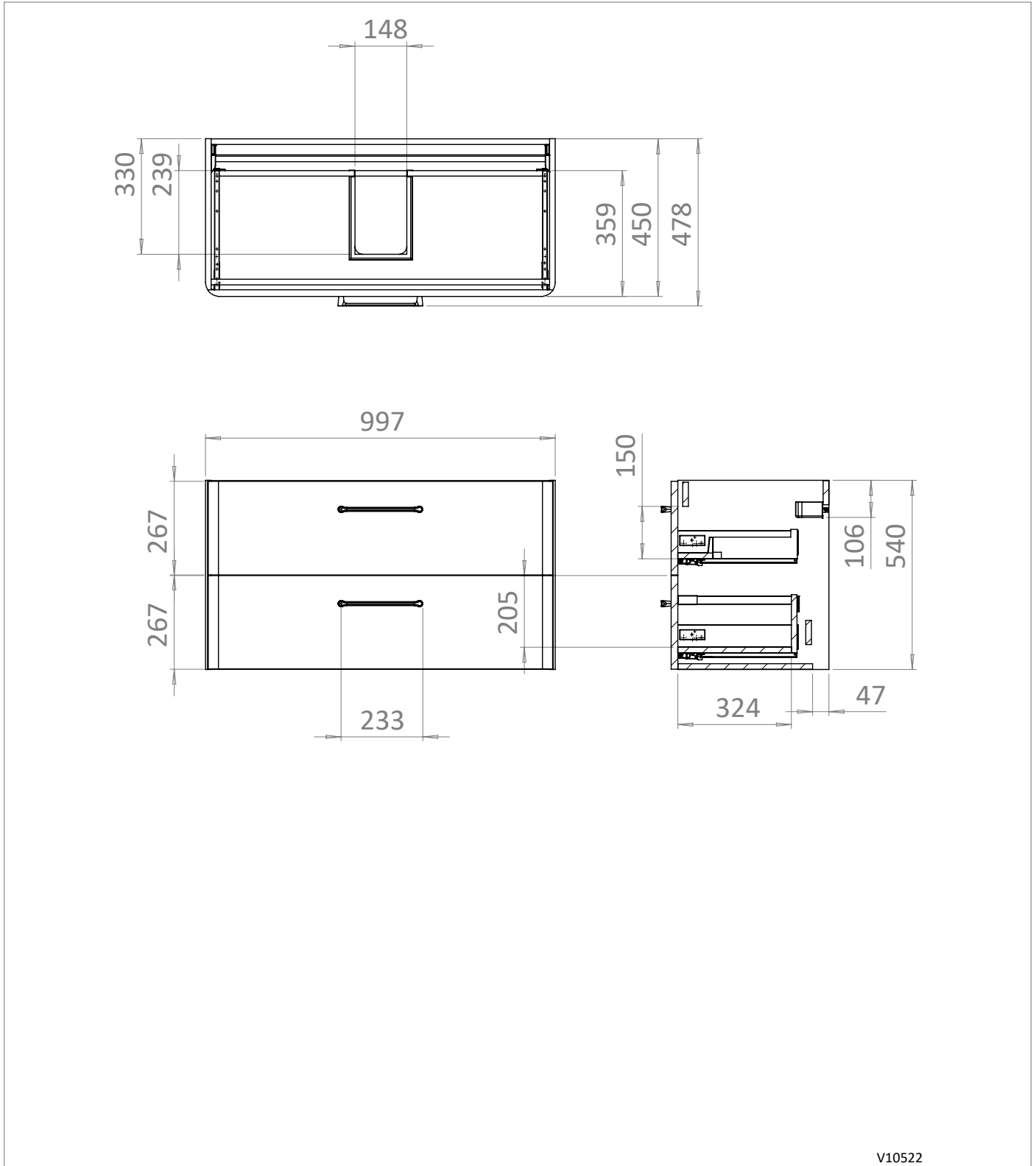
1000mm Unit Frosted White

COLOUR	Frosted White
COLOUR CODE/ REFERENCE	RAL 9016
MATERIAL	MDF/MFC
INSTALLATION TYPE	Wall-Mounted
DRAWER BOX	Metal Drawer Box With Gallery Rail
DRAWER RUNNERS	INDAUX - Soft close, Pull to open
DRAWER EXTENSION	Full Extension
DRAWER ADJUSTMENT	2 Way
DRAWER CAPACITY	40kg
WALL HANGERS	INDAUX - Factory Fitted 70kg Load Capacity On A Solid Wall 2 Way Adjustment
WARRANTY	10 Years

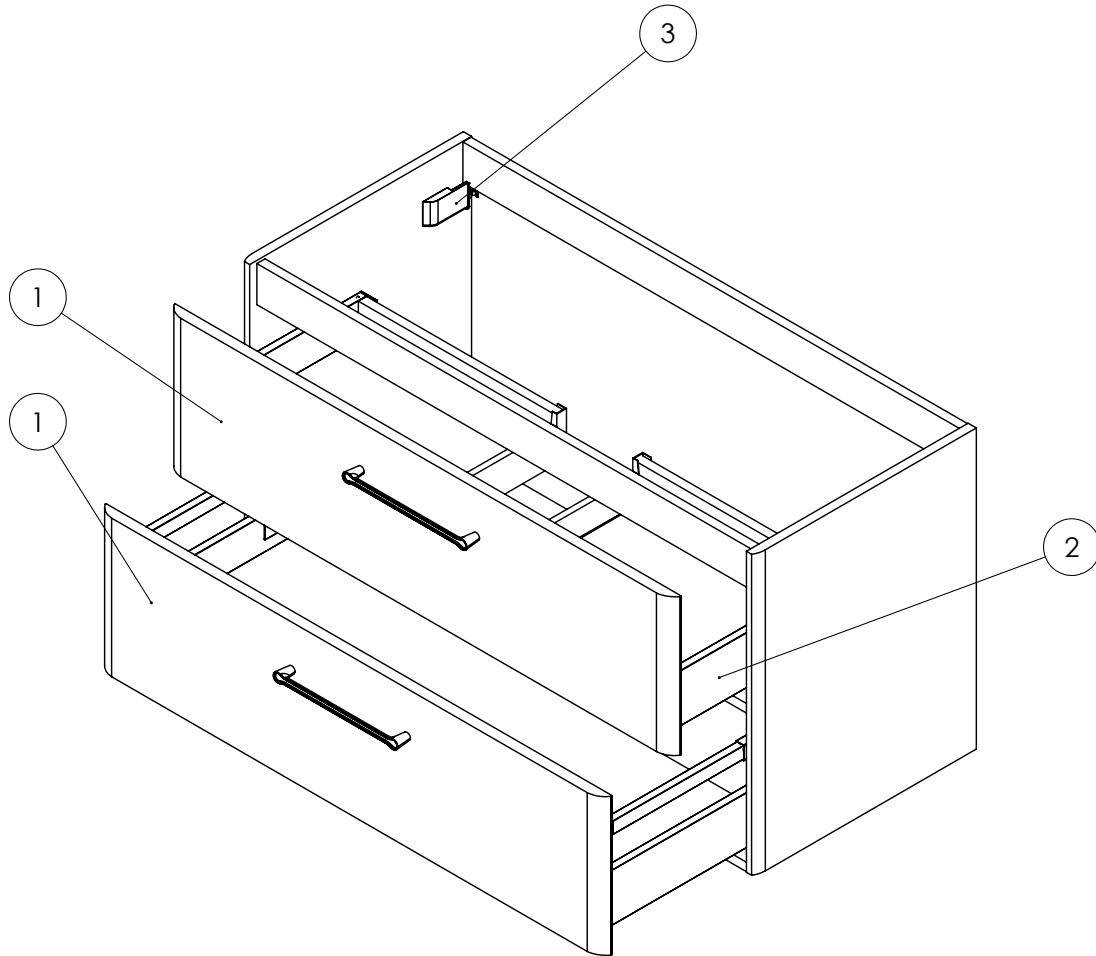
TECHNICAL DIMENSIONS

Dimensions in mm unless otherwise specified.

Tolerances (per material type) apply.



SPARES DIAGRAM



NUMBER	PART CODE	DESCRIPTION
1	SPCAM009	Camberwell 1000 Drawer Front - Frosted White
	SPCAM010	Camberwell 1000 Drawer Front - Dusty Blue
	SPCAM011	Camberwell 1000 Drawer Front - Earthy Green
	SPCAM012	Camberwell 1000 Drawer Front - Warm Beige
2	SPCAM013	Camberwell Drawer Runners x2
3	SPCAM014	Camberwell Wall Brackets x2

Only the parts labelled are available as spares.

V10522