

# PRODUCT DATA SHEET

# BRITTON®



PRODUCT CODE

C80DDB

RANGE

CAMBERWELL

DESCRIPTION

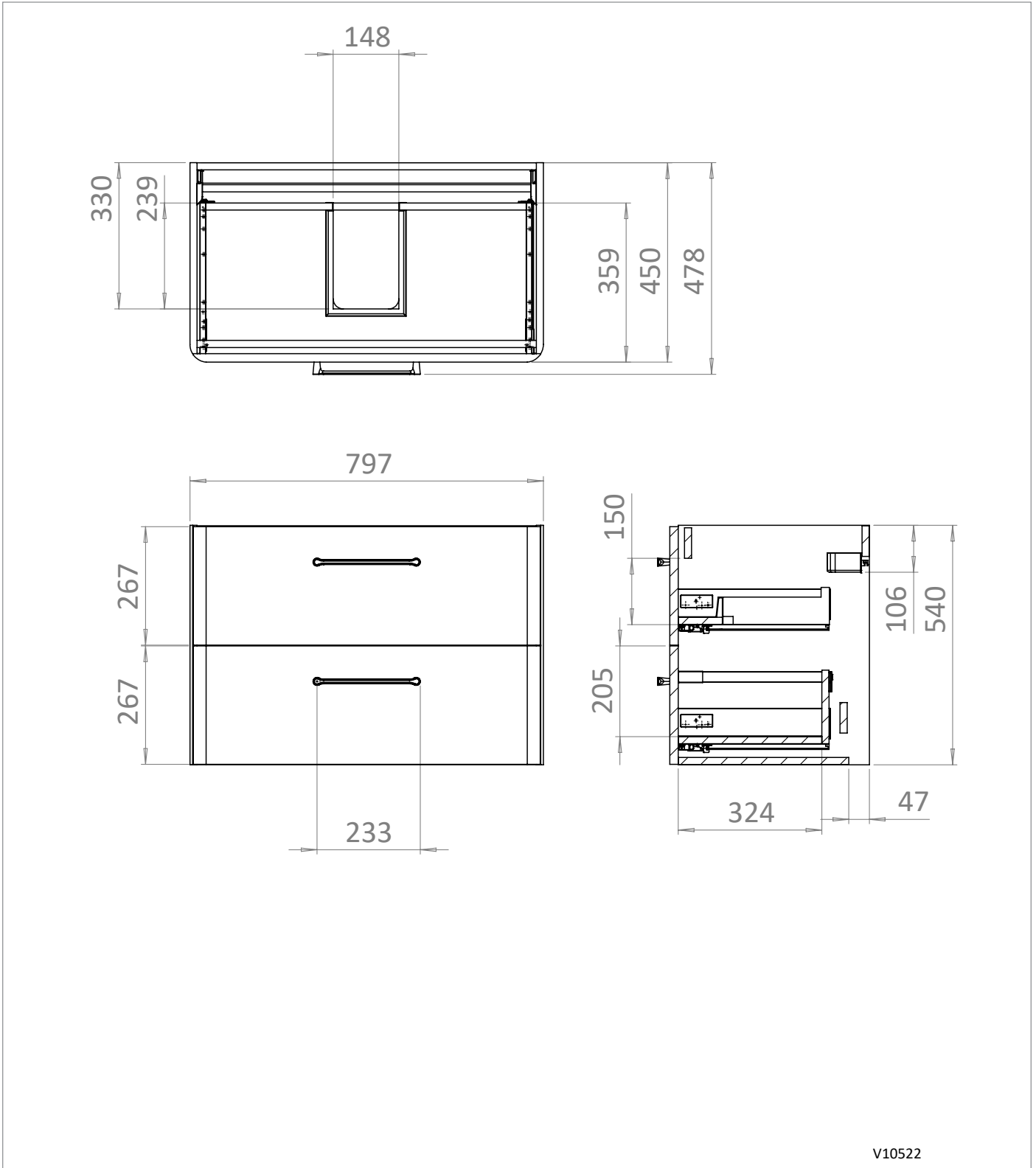
800mm Unit Dusty Blue

COLOUR	Dusty Blue
COLOUR CODE/ REFERENCE	RAL 240 70 05
MATERIAL	MDF/MFC
INSTALLATION TYPE	Wall-Mounted
DRAWER BOX	Metal Drawer Box With Gallery Rail
DRAWER RUNNERS	INDAUX - Soft close, Pull to open
DRAWER EXTENSION	Full Extension
DRAWER ADJUSTMENT	2 Way
DRAWER CAPACITY	40kg
WALL HANGERS	INDAUX - Factory Fitted 70kg Load Capacity On A Solid Wall 2 Way Adjustment
WARRANTY	10 Years

## TECHNICAL DIMENSIONS

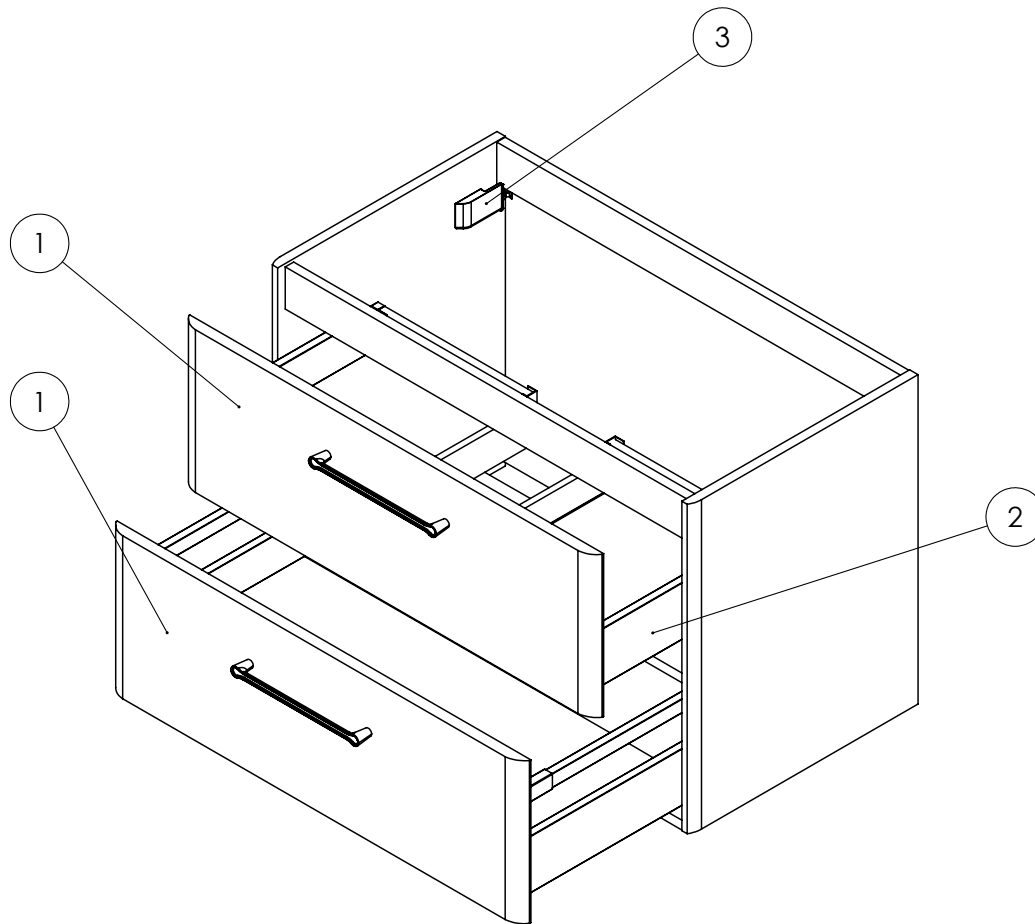
Dimensions in mm unless otherwise specified.

Tolerances (per material type) apply.



V10522

## SPARES DIAGRAM



NUMBER	PART CODE	DESCRIPTION
1	SPCAM005	Camberwell 800 Drawer Front - Frosted White
	SPCAM006	Camberwell 800 Drawer Front - Dusty Blue
	SPCAM007	Camberwell 800 Drawer Front - Matt Earthy Green
	SPCAM008	Camberwell 800 Drawer Front - Matt Warm Beige
2	SPCAM013	Camberwell Drawer Runners x2
3	SPCAM014	Camberwell Wall Brackets x2

Only the parts labelled are available as spares.

V10522