

Technical Datasheet

Product Code: 23701P2RNDC



Product Description: ARLEY P2-X Integrated Rnd Toilet & Bsn cw Cp Tap

Specification

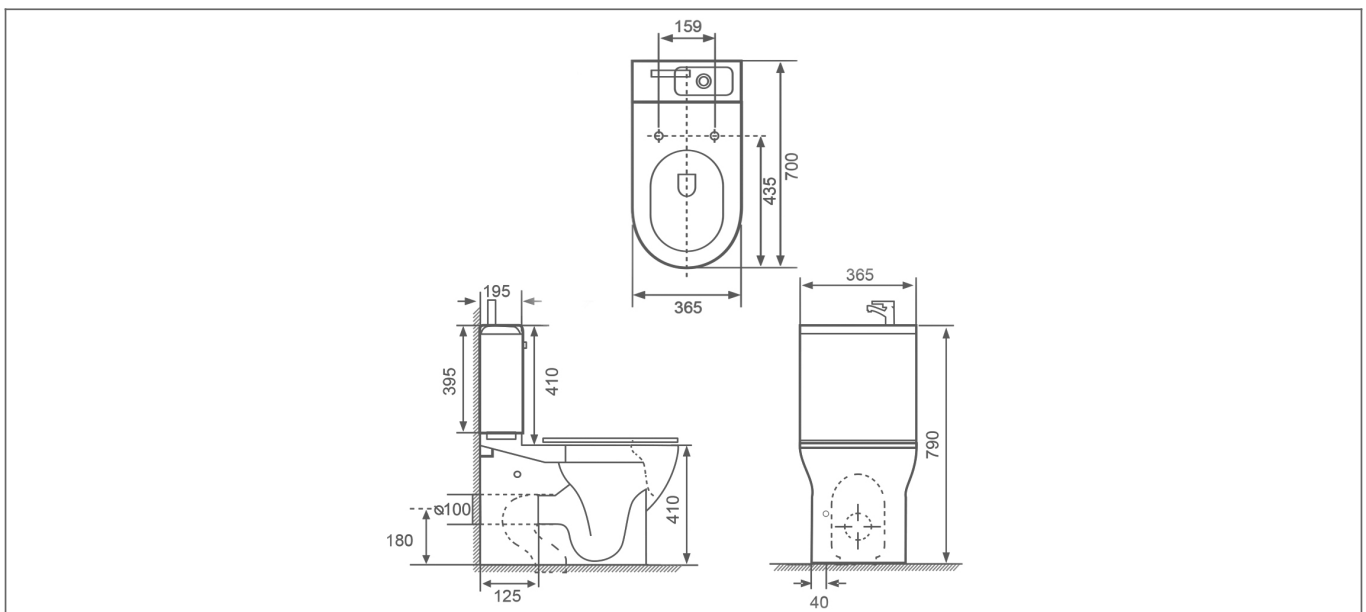
Product Guarantee:	Lifetime
Barcode:	5056474544804
Packaged Weight (kg):	50.45 kg
Material:	Ceramic
Projection:	700
Style:	Modern
Flush Type:	Push Button
Cistern Flush:	Dual Flush
Includes Seat:	No
Seat Type:	Soft Close



Key Features

- Compact design ideal for en suites & cloakrooms
- Manufactured from high quality ceramic
- Soft close seat included for added safety feature
- Includes dual flush push button for a easy & quick flush
- Square version is also available to choose from
- Matching P2 chrome tap/waste (pictured) are to be purchased separately
- Cistern/basin & all internal fittings are included

Technical Drawing



Dimensions: All measurements are in millimetres and are subject to normal manufacturing variations.

Due to a continuing development programme to improve design and performance, we reserve all rights to vary specifications without prior notice. Please note, all accessories are for photographic purposes only.