

Technical Datasheet

Product Code: TTR-201CR



Product Description: **Towel ring Chrome**

Specification

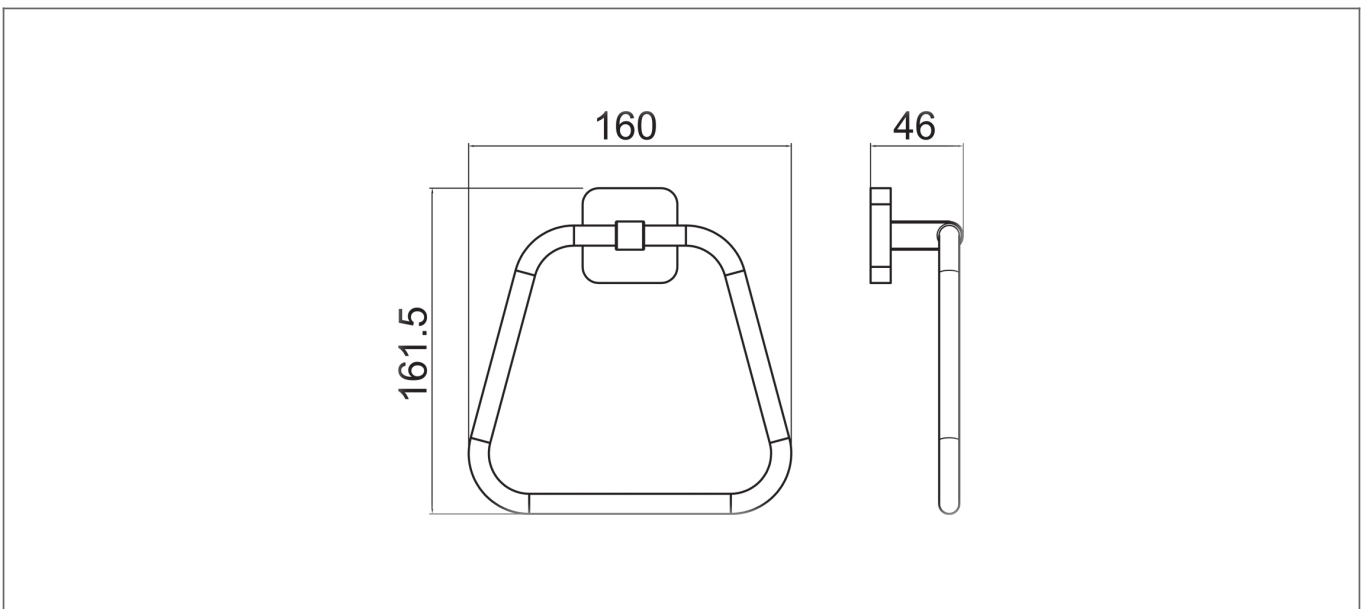
Material:	Brass
Style:	Modern
Shape:	Square
Colour:	Chrome
Packaged Weight (kg):	7.5 kg
Packaged Length (Metre):	0.585
Packaged Width (Metre):	0.285
Packaged Height (Metre):	0.455



Key Features

- High quality, long lasting chrome finish to compliment any style
- Manufactured from high quality brass
- Space saving design ideal for wall mounting
- Other finishes are also available too choose from
- Matching items are also available from the Trisen brand

Technical Drawing



Dimensions: All measurements are in millimetres and are subject to normal manufacturing variations.

Due to a continuing development programme to improve design and performance, we reserve all rights to vary specifications without prior notice. Please note, all accessories are for photographic purposes only.