

# Technical Datasheet

Product Code: 237091T

Product Description: Trade Wall Hung Pan c/w SC Seat



## Specification

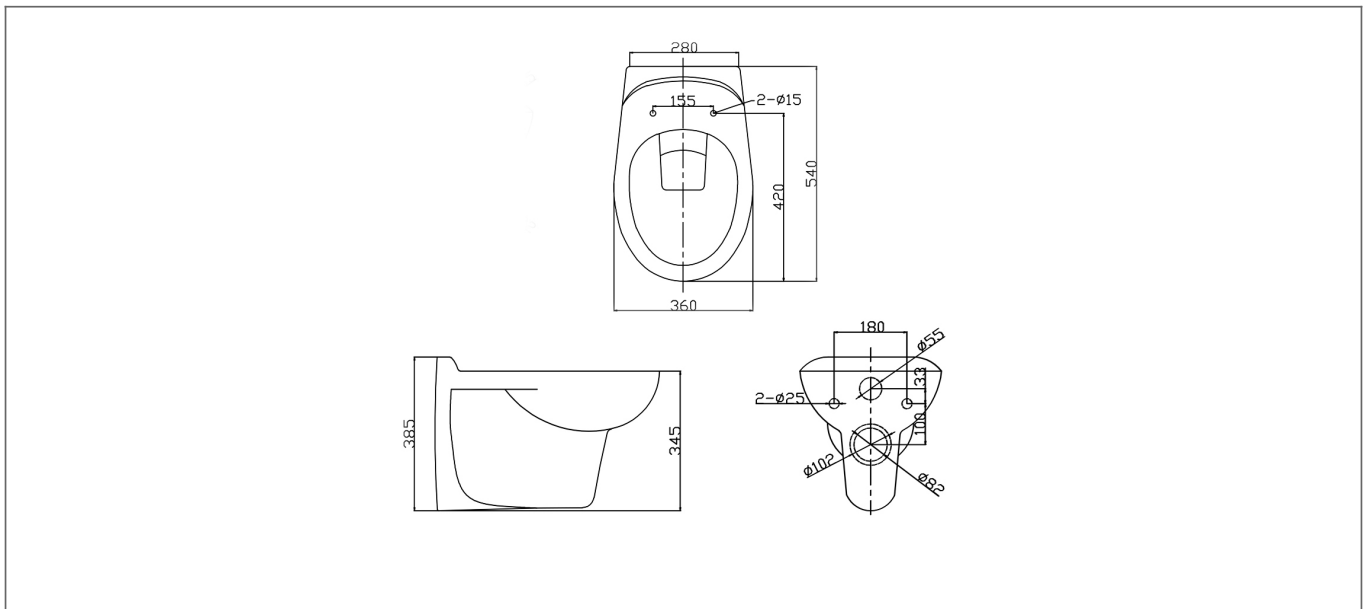
Product Guarantee:	Lifetime
Packaged Weight (kg):	0.0 kg
Material:	Vitreous China
Projection:	540
Style:	Modern
Includes Seat:	Yes
Seat Type:	Soft Close



## Key Features

- Wide-ranging bathroom collection with modern expressive design
- Manufactured from high quality vitreous china
- Wall hung pan creates the illusion of more floor space
- Suitable for use with concealed cisterns & wall hung frames
- Soft close seat included for added safety measure
- Matching sanitaryware are also available in the Trade range

## Technical Drawing



Dimensions: All measurements are in millimetres and are subject to normal manufacturing variations.

Due to a continuing development programme to improve design and performance, we reserve all rights to vary specifications without prior notice. Please note, all accessories are for photographic purposes only.