

Technical Datasheet

Product Code: 237TIT400BSN

Product Description: Arley Tite 400mm Basin



Specification

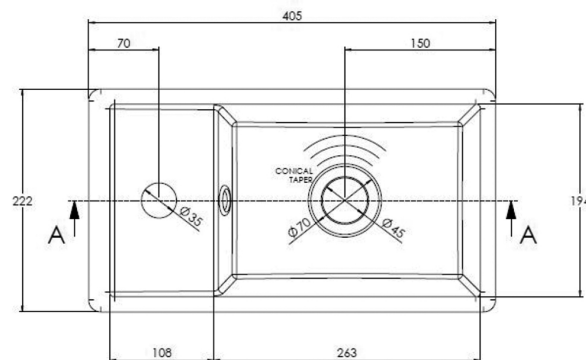
Material:	Vitreous China
Style:	Modern
Range Name:	Tite
Shape:	Rectangular
Colour:	White
Barcode:	5055369046577
Packaged Weight (kg):	6.42 kg
Packaged Length (Metre):	0.12
Packaged Width (Metre):	0.235
Packaged Height (Metre):	0.415



Key Features

- Clean, straight lines, uncluttered spaces. Embrace modernistic style from the 21st century
- Manufactured from high quality white vitreous china
- Features 1 tap hole suitable for mono basin mixer use
- Compatible with Tite 400mm furniture basin unit

Technical Drawing



Dimensions: All measurements are in millimetres and are subject to normal manufacturing variations.

Due to a continuing development programme to improve design and performance, we reserve all rights to vary specifications without prior notice. Please note, all accessories are for photographic purposes only.