

# Technical Datasheet

Product Code: SY-ANGELSEATDELUXEBL

Product Description: Angel Deluxe Seat in Black



## Specification

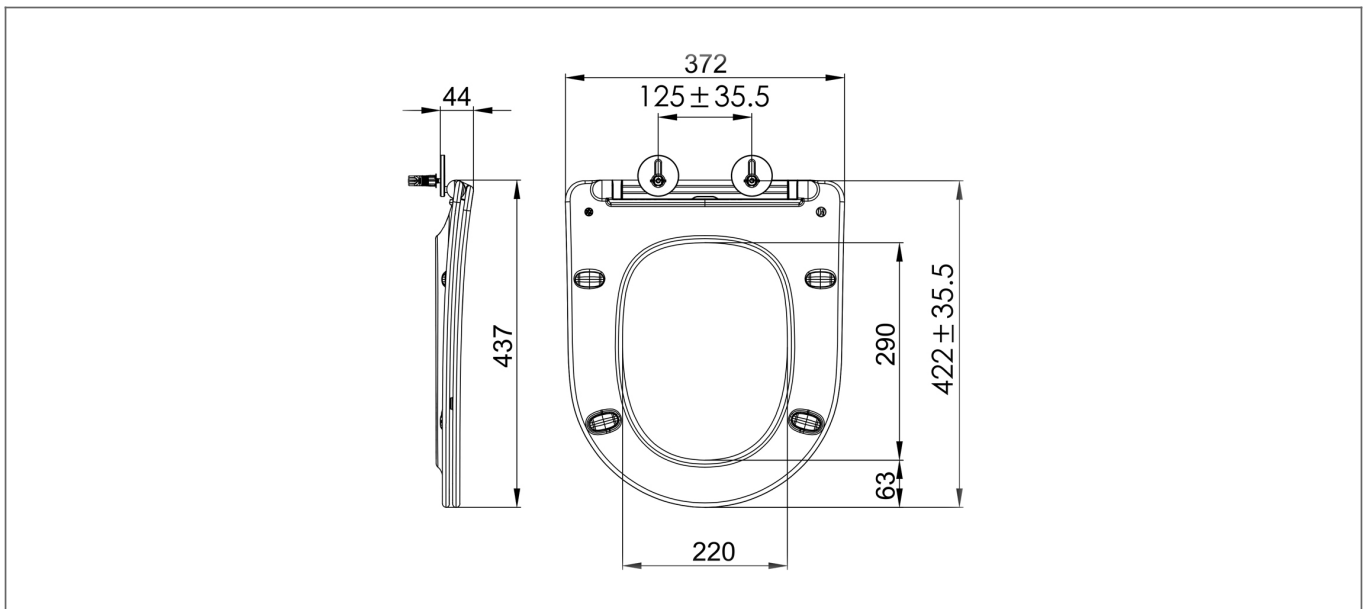
Material:	Urea-Formaldehyde
Shape:	Round
Barcode:	5056474544705
Packaged Weight (kg):	1.5 kg



## Key Features

- Pure & luxurious modern design ideal to boost your bathroom décor
- Manufactured from high quality urea-formaldehyde
- Soft close seat for minimal noise & added safety measure
- Compatible for both the Arley Angel back to wall & close coupled pans

## Technical Drawing



Dimensions: All measurements are in millimetres and are subject to normal manufacturing variations.

Due to a continuing development programme to improve design and performance, we reserve all rights to vary specifications without prior notice. Please note, all accessories are for photographic purposes only.