

Technical Datasheet

Product Code: 23701P2RNDC



Product Description: ARLEY P2-X Integrated Rnd Toilet & Bsn cw Cp Tap

Specification

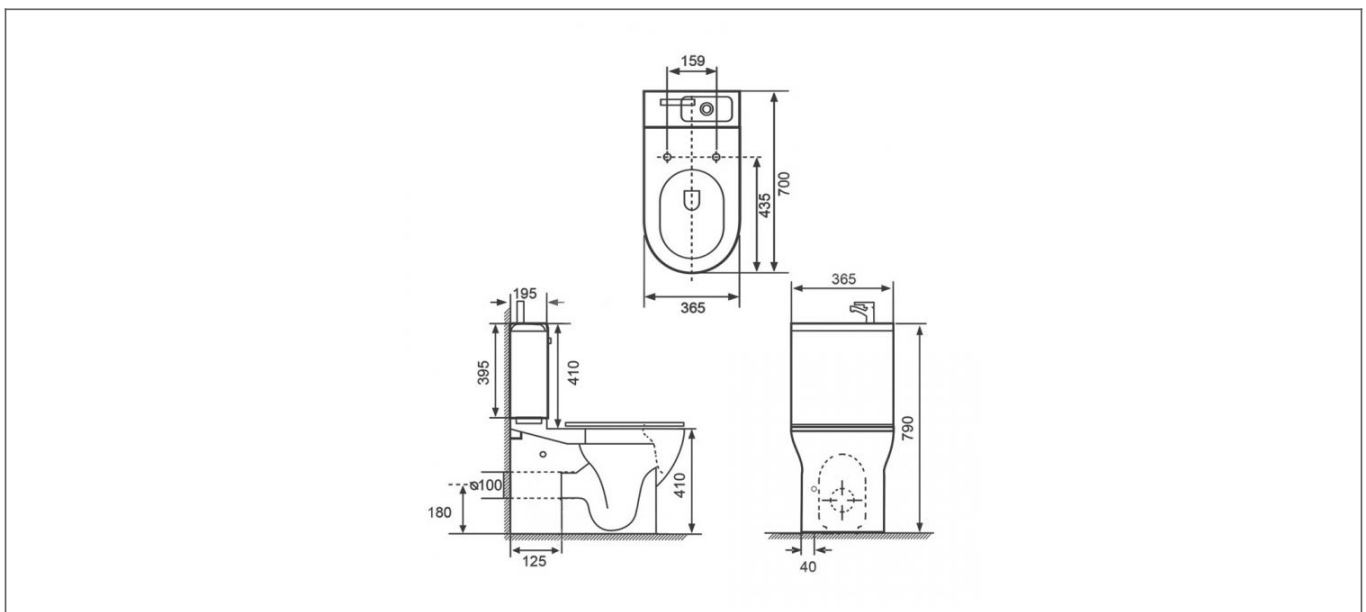
| | |
|-----------------------|---------------|
| Product Guarantee: | Lifetime |
| Barcode: | 5056474544804 |
| Packaged Weight (kg): | 50.45 kg |
| Material: | Ceramic |
| Projection: | 700 |
| Style: | Modern |
| Flush Type: | Push Button |
| Cistern Flush: | Dual Flush |
| Includes Seat: | No |
| Seat Type: | Soft Close |



Key Features

- Compact design ideal for en suites & cloakrooms
- Manufactured from high quality ceramic
- Soft close seat included for added safety feature
- Includes dual flush push button for a easy & quick flush
- Square version is also available to choose from
- Matching P2 chrome tap/waste (pictured) are to be purchased separately
- Cistern/basin & all internal fittings are included

Technical Drawing



Dimensions: All measurements are in millimetres and are subject to normal manufacturing variations.

Due to a continuing development programme to improve design and performance, we reserve all rights to vary specifications without prior notice. Please note, all accessories are for photographic purposes only.