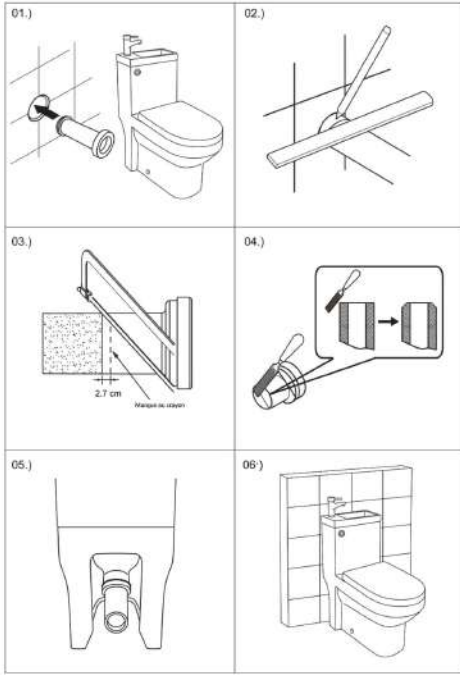
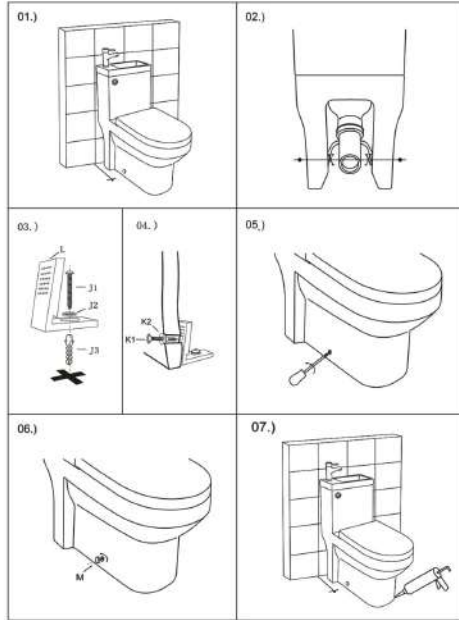


Installation pour la conduite d'eau (horizontal)



Installation de la base de la toilette



Two in One Wash Basin+Toilet

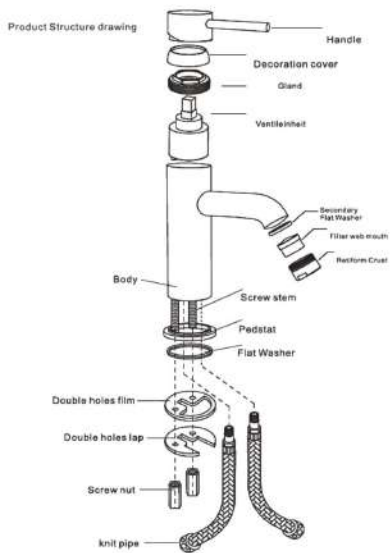


(14cmx3折) x28.5cm

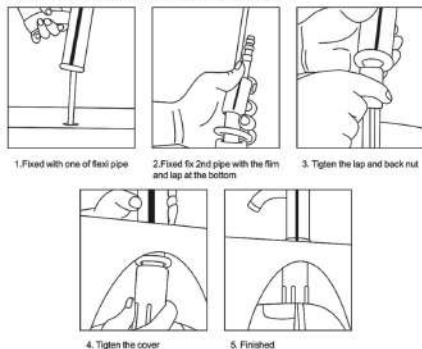
封底

封面

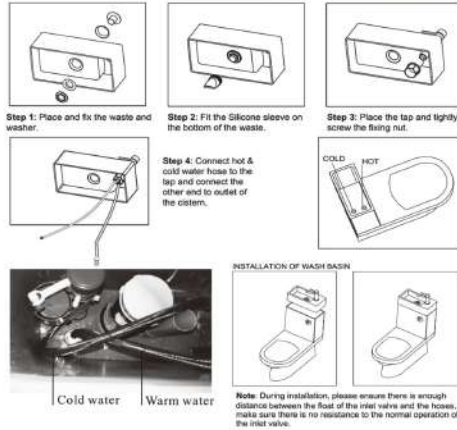
Mono Basin mixer installation instructions



Mono Basin mixer installation instructions



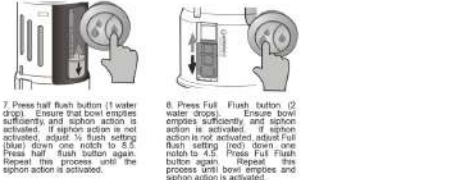
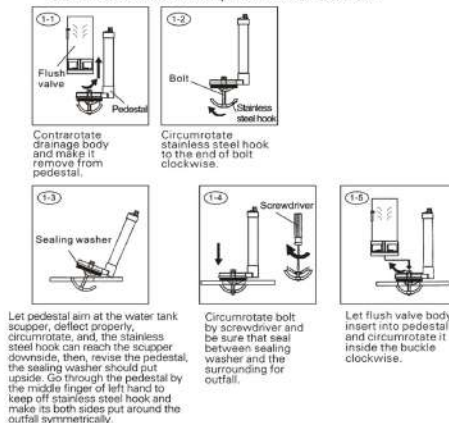
INSTALLATION OF 2 IN 1 WC & BASIN



Installation Steps

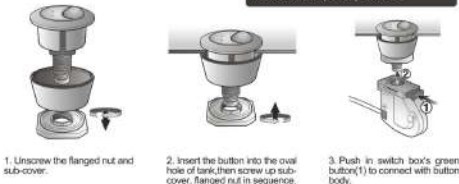
I. Preparation before Installation
Remove the old fittings and wash tank before installation. And wash clean because many impurities probably existed in conduit.

II. Flush Valve Installation (According to the actual need)
1. Stainless steel hook for one-piece flush valve installation



Button installation for side ceramic hole

When installing the dual action button, make sure there are no unnecessary kinks, twists, or turns in the cable leading to the body of the flush valve. Kinks or twists in the cable could compromise performance.



Button installation for top ceramic hole

When installing the dual action button, make sure there are no unnecessary kinks, twists, or turns in the cable leading to the body of the flush valve. Kinks or twists in the cable could compromise performance.



Basin waste installation instruction

