



Tudor

Tudor Pillar Mounted Bath Filler - Gold

Product Code: TUD08/501

Finish: Gold

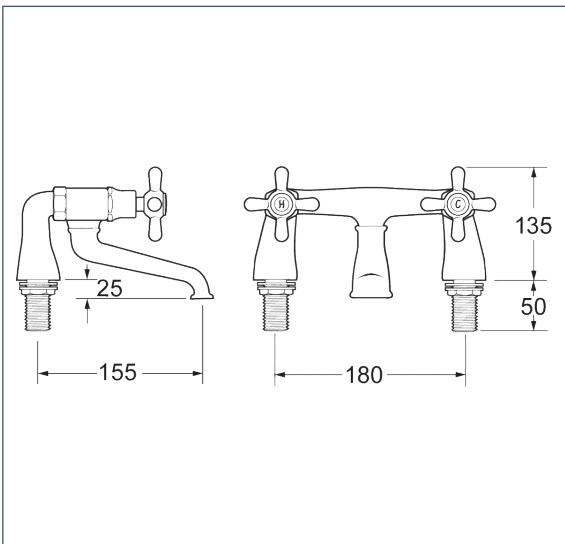
Features

- Construction: Brass & Resin
- Valve/Cartridge type: Standard
- Supply: Suitable for all plumbing systems
- Working Pressures: 0.3 - 5.0 bar
- Inlet connections: 3/4" BSP
- Flexi or Copper: Plastic Backnuts

· Products can be wall mounted or deck mounted



*Please refer to website for full warranty details.



Flow (Bar - l/min, open outlet)

Spout

Flow 0.1	Flow 0.3	Flow 0.5	Flow 1.0	Flow 2.0	Flow 3.0	Flow 4.0	Flow 5.0
6	9.3	13	16	20	25	30	34



2101802



2009726

