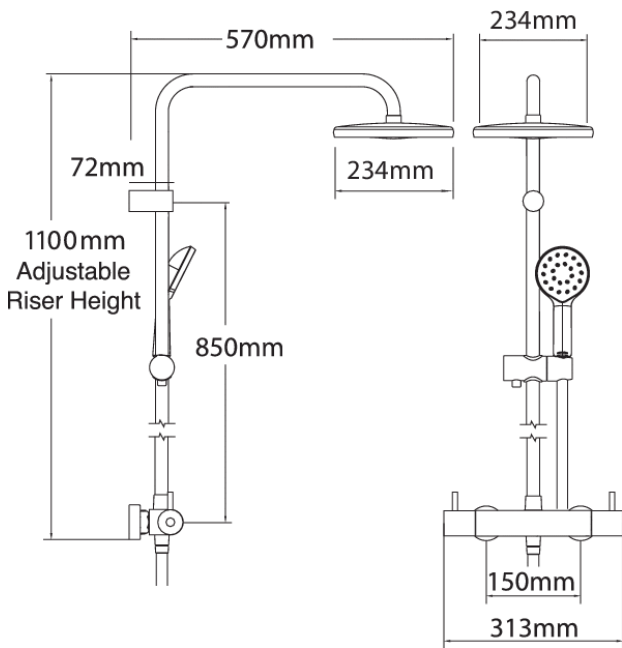


KIRI MK2 CHROME COOL TOUCH DIVERTER & ADJUSTABLE RAIL



CONSTRUCTION: Brass & ABS
CARTRIDGE/VALVE TYPE: Thermostatic
SUPPLY: Suitable For High Pressure Systems
INLET CONNECTIONS: 15mm Compression
WORKING PRESSURES: 1.0 - 5.0 bar
OPERATION: Separate Flow And Temperature Controls

- Safe Cool To Touch Body
- 38°C Temperature Hot Stop With Override Facility
- Integral Diverter To Satinjet Fixed Head And Handset
- Smooth Easy Clean 1.5M Hose
- Riser Height Can Be Adjusted To Suit Your Bathroom

KRCTADEF

Chrome

Open Outlet Flow (Bar - l/min)

BAR	0.3	0.5	1.0	2.0	3.0	4.0	5.0
HANDSET FLOW	6	7.3	7.6	7.9	8.3	0	0
OVERHEAD FLOW	0	0	9	9	9	9	9



2201736

2204348



2201736

Please Note: Flow rate will be dictated by installation configurations.
 Please ensure to check the appropriate flow restrictor information if applicable.
 *Please refer to website for full warranty details.

FREEPHONE: 0800 195 1602 | FAX ORDERS: 08444 068 690 | EMAIL: SALES@UK.METHVEN.COM

methven.com