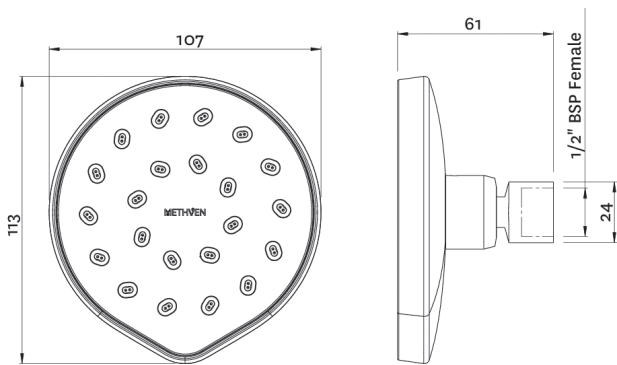


## KIRI MK2 SHOWER ROSE



**CONSTRUCTION:** ABS

**SUPPLY:** Suitable For High Pressure Systems

**INLET CONNECTIONS:** 1/2" BSP

**WORKING PRESSURES:** 1.0 - 5.0 bar

**CARTRIDGE/VALVE TYPE:** N/A

- Satinjet® Technology Twin Jets Of Water Collide Into Thousands Of Tiny Droplets To Deliver Voluminous Shower Coverage
- Swivel Joint
- Water Efficient Without Compromising Performance

**KRWSCPUK**

**Chrome**

**Open Outlet Flow** (Bar - l/min)

BAR	0.1	0.3	0.5	1.0	2.0	3.0	4.0	5.0
<b>HANDSET FLOW</b>	2.8	4	5.1	7	7.4	8	8.2	8.1



2406722



240604035



Please Note: Flow rate will be dictated by installation configurations.  
 Please ensure to check the appropriate flow restrictor information if applicable.  
 \*Please refer to website for full warranty details.

**FREEPHONE: 0800 195 1602 | FAX ORDERS: 08444 068 690 | EMAIL: SALES@UK.METHVEN.COM**

[methven.com](http://methven.com)

THE INFORMATION ON THIS SPECIFICATION DOCUMENT WAS CORRECT AT THE DATE OF ISSUE. SOME VARIATION MAY OCCUR DUE TO THE MANUFACTURING TOLERANCES AND SITE SPECIFIC CONDITIONS.