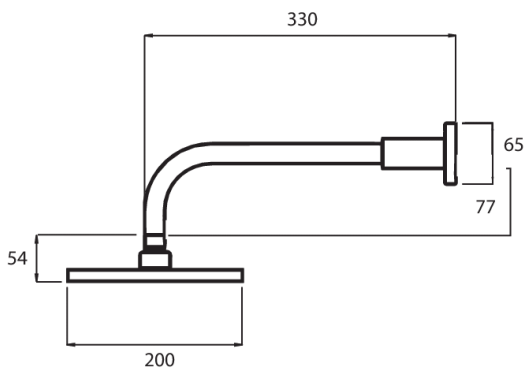


200MM ROUND OVERHEAD & ARM - MATTE BLACK



CONSTRUCTION: Stainless steel/ABS
SUPPLY: Suitable For Low Pressure Systems
INLET CONNECTIONS: ½" BSP
WORKING PRESSURES: 0.3 - 5.0 bar
CARTRIDGE/VALVE TYPE: N/A

- Rub Clean Nozzles
- Brass, Adjustable Ball Joint Connection
- Single Function Round Matte Black Faceplate

KSABK

Matte Black

Open Outlet Flow (Bar - l/min)

BAR	0.1	0.3	0.5	1.0	2.0	3.0	4.0	5.0
HANDSET FLOW	0	0	0	0	0	0	0	0



2101001



Please Note: Flow rate will be dictated by installation configurations.
 Please ensure to check the appropriate flow restrictor information if applicable.
 *Please refer to website for full warranty details.

FREEPHONE: 0800 195 1602 | FAX ORDERS: 08444 068 690 | EMAIL: SALES@UK.METHVEN.COM

methven.com

THE INFORMATION ON THIS SPECIFICATION DOCUMENT WAS CORRECT AT THE DATE OF ISSUE. SOME VARIATION MAY OCCUR DUE TO THE MANUFACTURING TOLERANCES AND SITE SPECIFIC CONDITIONS.