



# Adjustable Riser Rail

Adjustable Riser Rail

Product Code: SPE15

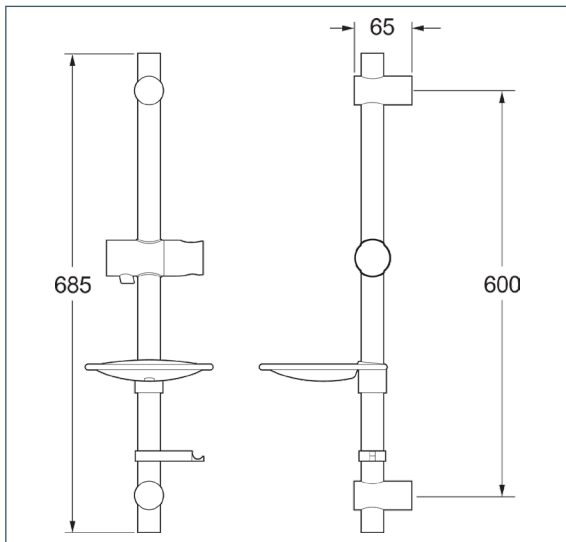
Finish: Chrome

## Features

**Construction:** Stainless steel/ABS

**Inlet Connections:**

· Riser Rail Features Adjustable Brackets - Ideal For Retrofit



\*Please refer to website for full warranty details.

