



Adore

Adore Sink Mixer c/w Flexi Tails

Product Code: ADORE171F

Finish: Chrome

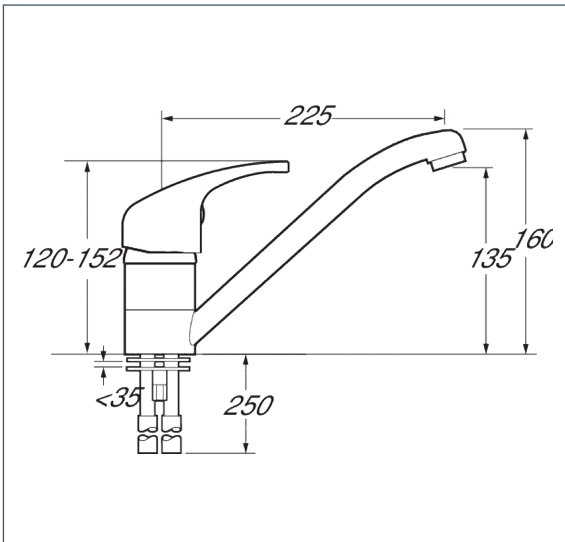
Features

- Construction:** Brass
- Valve/Cartridge type:** 40mm Ceramic Cartridge
- Supply:** Suitable For Low Pressure Systems
- Working Pressures:** 0.1 - 5.0 bar
- Inlet connections:** 1/2" BSP
- Flexi or Copper:** Flexi Tails - M10 - 400mm

- Ceramic Cartridge For Smooth Operation And Longer Life
- Tilt And Turn Temperature And Flow Control
- Swivel Spout
- Complete With 2 X 300Mm Flexi Tails
- Products Which Are Easy To Use By All The Family



*Please refer to website for full warranty details.



Flow (Bar - l/min, open outlet)

Spout

Flow 0.1	Flow 0.3	Flow 0.5	Flow 1.0	Flow 2.0	Flow 3.0	Flow 4.0	Flow 5.0
3.9	6.2	8.4	12.2	17.5	21.6	25	28



2006738



2009306

