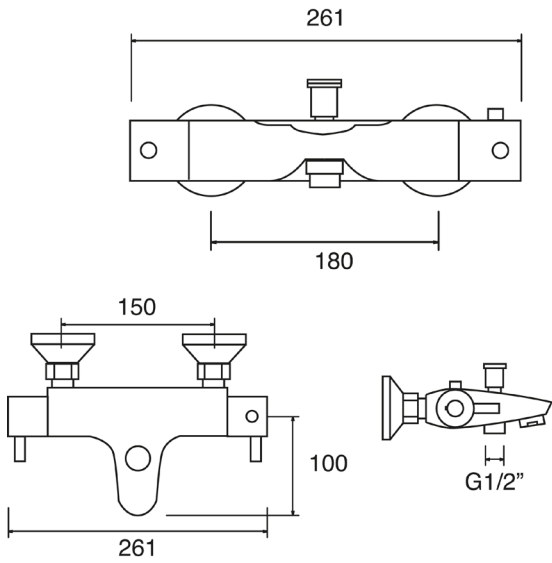


## THERMOSTATIC BATH SHOWER MIXER WALL MOUNTED - BODY ONLY



**CONSTRUCTION:** Brass  
**CARTRIDGE/VALVE TYPE:** Thermostatic  
**SUPPLY:** Suitable For High Pressure Systems  
**INLET CONNECTIONS:** 3/4" BSP  
**WORKING PRESSURES:** 0.5 - 5.0 bar  
**OPERATION:** Separate Flow And Temperature Controls

- Thermostatic Valve With 38°C Temperature Stop (With Override)
- Products Which Are Easy To Use By All The Family

TLVBSMWMB0

Chrome

### Open Outlet Flow (Bar - l/min)

BAR	0.1	0.3	0.5	1.0	2.0	3.0	4.0	5.0
<b>SPOUT FLOW</b>	3.6	6.1	8.2	12.2	17.4	21.3	24.7	27.7



Please Note: Flow rate will be dictated by installation configurations.  
 Please ensure to check the appropriate flow restrictor information if applicable.  
 \*Please refer to website for full warranty details.

**FREEPHONE: 0800 195 1602 | FAX ORDERS: 08444 068 690 | EMAIL: SALES@UK.METHVEN.COM**

methven.com

THE INFORMATION ON THIS SPECIFICATION DOCUMENT WAS CORRECT AT THE DATE OF ISSUE. SOME VARIATION MAY OCCUR DUE TO THE MANUFACTURING TOLERANCES AND SITE SPECIFIC CONDITIONS.