



# Profile

Profile Deck Mounted Sink Mixer

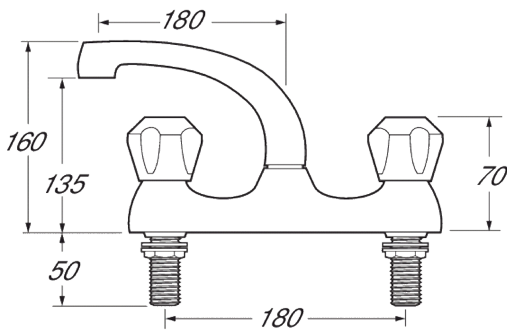
Product Code: DCM105

Finish: Chrome

## Features

- Construction:** Brass
- Valve/Cartridge type:** Non-rising Spindle Headworks
- Supply:** Suitable For Low Pressure Systems
- Working Pressures:** 0.1 - 5.0 bar
- Inlet connections:** 1/2" BSP
- Flexi or Copper:** N/A

- Swivel Spout
- Dual Flow



\*Please refer to website for full warranty details.

## Flow (Bar - l/min, open outlet)

### Spout

Flow 0.1	Flow 0.3	Flow 0.5	Flow 1.0	Flow 2.0	Flow 3.0	Flow 4.0	Flow 5.0
9.7	15.8	21.4	31.4	45.4	55.9	64.2	71.7



2008722



2009303

