



# Profile

Profile Bath Taps Spec Version

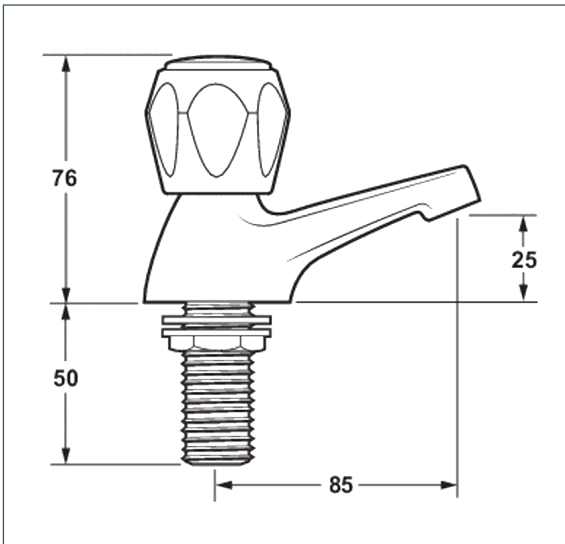
Product Code: DCM SPEC102

Finish: Chrome

## Features

- Construction:** Brass
- Valve/Cartridge type:** Non-rising Spindle Headworks
- Supply:** Suitable For Low Pressure Systems
- Working Pressures:** 0.1 - 5.0 bar
- Inlet connections:** 3/4" BSP
- Flexi or Copper:** N/A

· Metal Backnuts



## Flow (Bar - l/min, open outlet)

### Spout

| Flow 0.1 | Flow 0.3 | Flow 0.5 | Flow 1.0 | Flow 2.0 | Flow 3.0 | Flow 4.0 | Flow 5.0 |
|----------|----------|----------|----------|----------|----------|----------|----------|
| 6.1      | 9.6      | 12.9     | 18.7     | 26.8     | 33       | 38.2     | 42.8     |



2007727



2007336

