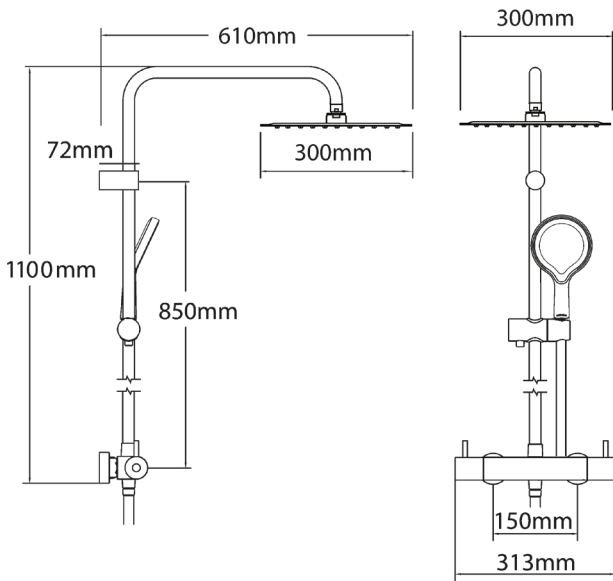


## AURAJET AIO S BAR SHOWER WITH DIVERTER CHROME



**CONSTRUCTION:** Brass & ABS

**CARTRIDGE/VALVE TYPE:** Thermostatic

**SUPPLY:** Suitable For High Pressure Systems

**INLET CONNECTIONS:** 15mm Compression

**WORKING PRESSURES:** 1.0 - 5.0 bar

**OPERATION:** Separate Flow And Temperature Controls

- Safe Cool To Touch Body
- 38°C Temperature Hot Stop With Override Facility
- Overhead Can Swivel To Suit Your Bathroom
- Riser Height Of Both Overhead And Handset Can Be Adjusted
- Includes 300Mm Slim Overhead
- Includes Aurajet Aio S Handset With Lifetime Warranty
- Water Efficient Without Compromising Performance
- Meets With Part G - Handset Operates At 5.7 Lpm, Overhead At 8 Lpm

### AJASDS01CP

#### Open Outlet Flow (Bar - l/min)

BAR	0.3	0.5	1.0	2.0	3.0	4.0	5.0
HANDSET FLOW	0	3.8	5	5	5.3	5.5	5.4
OVERHEAD FLOW	5.56	6.81	8	8	8	8	8

### Chrome



2201736



2204348



2201736

Please Note: Flow rate will be dictated by installation configurations.  
Please ensure to check the appropriate flow restrictor information if applicable.

\*Please refer to website for full warranty details.

**FREEPHONE: 0800 195 1602 | FAX ORDERS: 08444 068 690 | EMAIL: SALES@UK.METHVEN.COM**

[methven.com](http://methven.com)

THE INFORMATION ON THIS SPECIFICATION DOCUMENT WAS CORRECT AT THE DATE OF ISSUE. SOME VARIATION MAY OCCUR DUE TO THE MANUFACTURING TOLERANCES AND SITE SPECIFIC CONDITIONS.