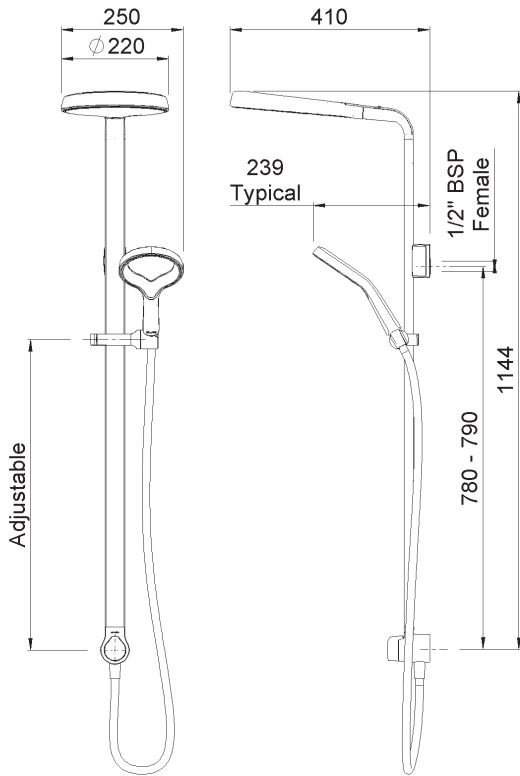


AIO SHOWER SYSTEM - MATTE BLACK



CONSTRUCTION: Brass & ABS
CARTRIDGE/VALVE TYPE: N/A
SUPPLY: Suitable For High Pressure Systems
INLET CONNECTIONS: 1/2" BSP
WORKING PRESSURES: 1.0 - 5.0 bar
OPERATION: N/A

- Limescale Resistant - Hydrophobic Properties Resists The Build Up Of Limescale
- Water Efficient Without Compromising Performance
- Integrated Diverter
- Quick Fit Connector For Easy Installation
- Fitted With 12 L/Min Flow Regulator In Overhead And 8 L/Min In Handset
- Comes Complete With 15Mm (1/2" Bsp) Threaded Connection
- Twin With A Kaha Single Outlet Shower Valve
- 5 Years Warranty On The Outer Finish

AOSSBKUK

Matte Black

Open Outlet Flow (Bar - l/min)

| BAR | 0.1 | 0.3 | 0.5 | 1.0 | 2.0 | 3.0 | 4.0 | 5.0 |
|----------------------|-----|-----|-----|-----|------|------|-----|------|
| HANDSET FLOW | 2.4 | 4.8 | 6.3 | 8 | 7.7 | 8.2 | 0 | 0 |
| OVERHEAD FLOW | 0 | 0 | 0 | 9.1 | 10.1 | 10.2 | 11 | 11.3 |



2009723



2105800



Please Note: Flow rate will be dictated by installation configurations.
 Please ensure to check the appropriate flow restrictor information if applicable.
 *Please refer to website for full warranty details.

FREEPHONE: 0800 195 1602 | FAX ORDERS: 08444 068 690 | EMAIL: SALES@UK.METHVEN.COM

methven.com

THE INFORMATION ON THIS SPECIFICATION DOCUMENT WAS CORRECT AT THE DATE OF ISSUE. SOME VARIATION MAY OCCUR DUE TO THE MANUFACTURING TOLERANCES AND SITE SPECIFIC CONDITIONS.