



# Dynamic

Thermostatic Pillar Mounted Bath Shower Mixer No Kit

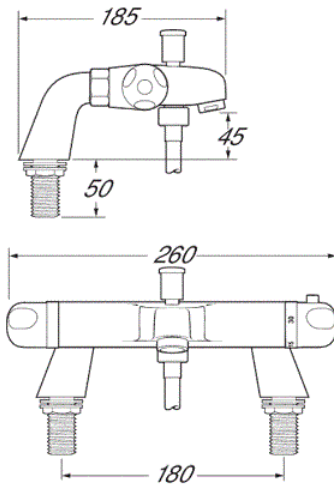
Product Code: DYN106NK

Finish: Chrome

## Features

- Construction:** Brass
- Valve/Cartridge type:** Thermostatic
- Supply:** Suitable For Low Pressure Systems
- Working Pressures:** 0.3 - 5.0 bar
- Inlet connections:** 3/4" BSP
- Flexi or Copper:** N/A

· Thermostatic Valve With 38°C Temperature Stop (With Override)



\*Please refer to website for full warranty details.

## Flow (Bar - l/min, open outlet)

### Spout

Flow 0.1	Flow 0.3	Flow 0.5	Flow 1.0	Flow 2.0	Flow 3.0	Flow 4.0	Flow 5.0
3.3	5.4	7.3	10.9	15.6	19.1	22.2	24.8



2104905



2308970