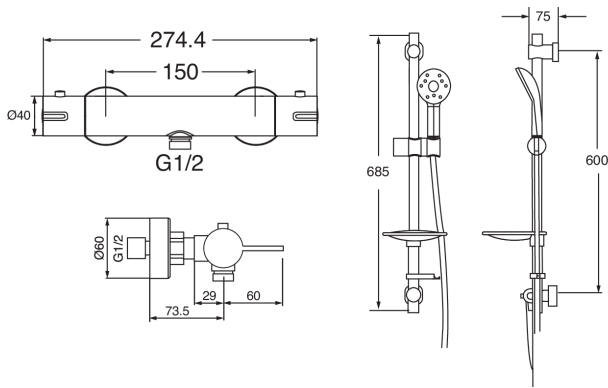


AVOCA COOL TOUCH BAR SHOWER - KIRI MK2 LOW FLOW



CONSTRUCTION: Brass & ABS

SUPPLY: Suitable For High Pressure Systems

INLET CONNECTIONS: 15mm Compression

WORKING PRESSURES: 1.0 - 5.0 bar

CARTRIDGE/VALVE TYPE:Thermostatic

- Easy to use large paddle levers for ease of operation
- 38°C Temperature Hot Stop With Override Facility
- Easy To Fit Shower Rail - Simply Twist And Lock Brackets Into Place
- Includes Kiri Mk2 Satinjet Low Flow Handset - Optimised to perform at 5.5lpm saving water and energy
- Cool Touch Bar Valve - Safe for all the family
- Includes Easy Fit Valve Connections
- Co-ordinating Avoca Tapware
- TMV2 Approved Valve

AVCTSFLF

Chrome

Open Outlet Flow (Bar - l/min)

BAR	0.1	0.3	0.5	1.0	2.0	3.0	4.0	5.0
HANDSET FLOW	1.8	2.7	3.6	4.9	5.6	5.5	0	0



2312901



2310587

Please Note: Flow rate will be dictated by installation configurations.

Please ensure to check the appropriate flow restrictor information if applicable.

*Please refer to website for full warranty details.

FREEPHONE: 0800 195 1602 | FAX ORDERS: 08444 068 690 | EMAIL: SALES@UK.METHVEN.COM

methven.com

THE INFORMATION ON THIS SPECIFICATION DOCUMENT WAS CORRECT AT THE DATE OF ISSUE. SOME VARIATION MAY OCCUR DUE TO THE MANUFACTURING TOLERANCES AND SITE SPECIFIC CONDITIONS.