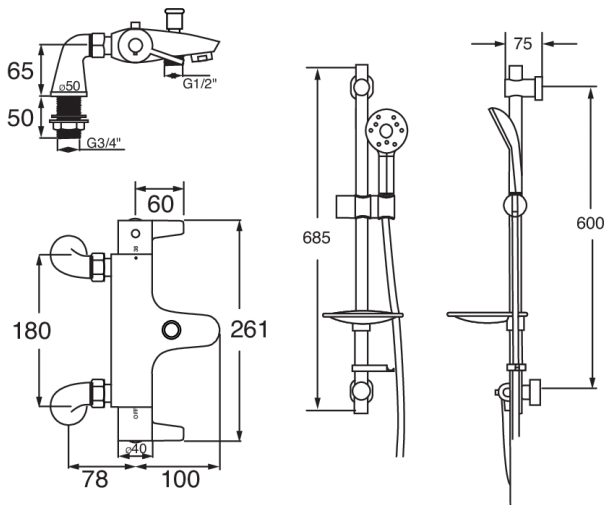


AVOCA THERMOSTATIC BATH SHOWER MIXER RAIL KIT - KIRI MK2 LF



CONSTRUCTION: Brass & ABS

CARTRIDGE/VALVE TYPE: Thermostatic

SUPPLY: Suitable For High Pressure Systems

INLET CONNECTIONS: 3/4" BSP

WORKING PRESSURES: 0.5 - 5.0 bar

OPERATION: Separate Flow And Temperature Controls

- Easy to use large paddle levers for ease of operation
- Water Efficient Without Compromising Performance
- Optimised to perform at 5.5lpm, saving water and energy
- Satinjet® Technology Twin Jets Of Water Collide Into Thousands Of Tiny Droplets To Deliver Voluminous Shower Coverage
- Thermostatic Valve With 38°C Temperature Stop (With Override)
- Riser Rail Features Easy Fit Adjustable Brackets- Simply Twist & Lock Into Place
- Ideal For Retrofit - Using Existing Shower Rail Holes
- Satinjet® Kiri MK2 Low Flow Handset Comes With Lifetime Warranty

AVTBSMEFLF

Chrome

Open Outlet Flow (Bar - l/min)

BAR	0.1	0.3	0.5	1.0	2.0	3.0	4.0	5.0
SPOUT FLOW	3.7	6.1	8.3	12.2	17.4	21.4	24.7	27.7
HANDSET FLOW	0.9	1.8	2.6	3.9	5.2	5.5	5.2	5.3



Please Note: Flow rate will be dictated by installation configurations.
Please ensure to check the appropriate flow restrictor information if applicable.
*Please refer to website for full warranty details.



2308970

FREEPHONE: 0800 195 1602 | FAX ORDERS: 08444 068 690 | EMAIL: SALES@UK.METHVEN.COM

methven.com

THE INFORMATION ON THIS SPECIFICATION DOCUMENT WAS CORRECT AT THE DATE OF ISSUE. SOME VARIATION MAY OCCUR DUE TO THE MANUFACTURING TOLERANCES AND SITE SPECIFIC CONDITIONS.