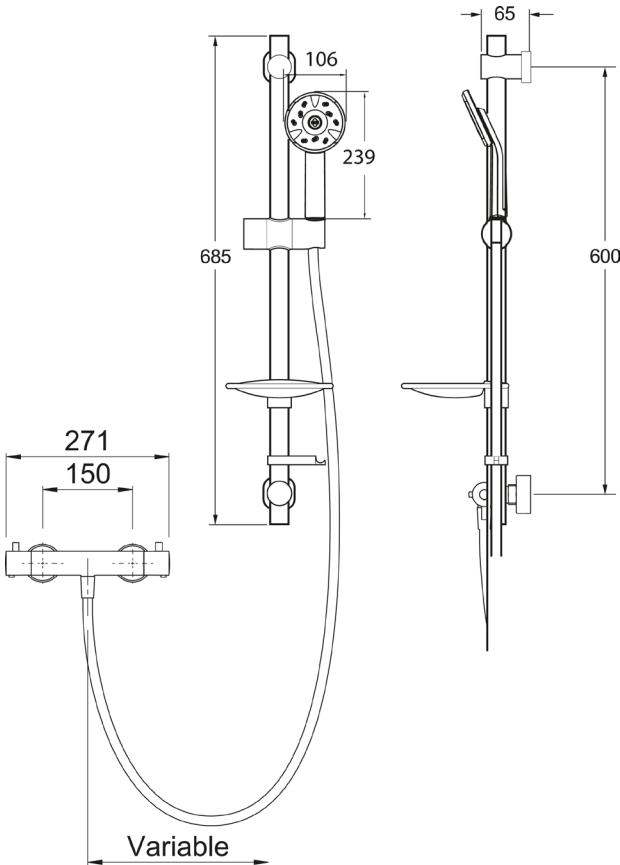


KIRI LOW FLOW SHOWER EASY FIT KIT



CONSTRUCTION: Brass & ABS
SUPPLY: Suitable For High Pressure Systems
INLET CONNECTIONS: 15mm Compression
WORKING PRESSURES: 1.0 - 5.0 bar
CARTRIDGE/VALVE TYPE:Thermostatic

- Safe Cool To Touch Body
- 38°C Temperature Hot Stop With Override Facility
- Easy To Fit Shower Rail - Simply Twist And Lock Brackets Into Place
- Includes Kiri Satinjet Low Flow Handset
- Smooth Easy Clean 1.5M Hose
- Includes Easy Fit Connections
- Satinjet® Technology Twin Jets Of Water Collide Into Thousands Of Tiny Droplets To Deliver Voluminous Shower Coverage
- TMV2 Approved Valve

KLFACTSEFCP

Chrome

Open Outlet Flow (Bar - l/min)

BAR	0.1	0.3	0.5	1.0	2.0	3.0	4.0	5.0
HANDSET FLOW	1.7	2.5	3.4	4.6	5.4	5.3	0	0



2211909



2310587

Please Note: Flow rate will be dictated by installation configurations.
 Please ensure to check the appropriate flow restrictor information if applicable.
 *Please refer to website for full warranty details.

FREEPHONE: 0800 195 1602 | FAX ORDERS: 08444 068 690 | EMAIL: SALES@UK.METHVEN.COM

methven.com

THE INFORMATION ON THIS SPECIFICATION DOCUMENT WAS CORRECT AT THE DATE OF ISSUE. SOME VARIATION MAY OCCUR DUE TO THE MANUFACTURING TOLERANCES AND SITE SPECIFIC CONDITIONS.