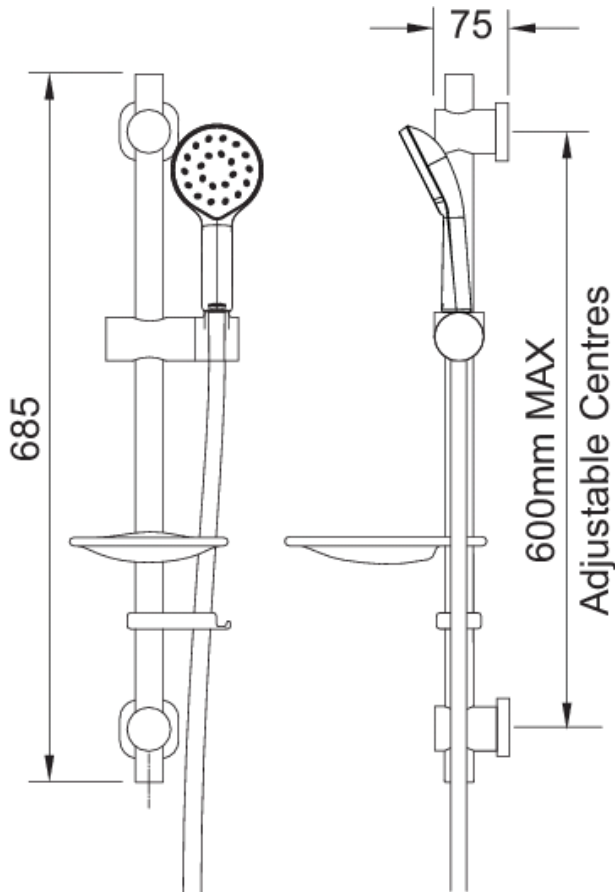


## KIRI MK2 EASY FIT SHOWER KIT



**CONSTRUCTION:** Brass & ABS  
**SUPPLY:** Suitable For High Pressure Systems  
**INLET CONNECTIONS:** 1/2" BSP  
**WORKING PRESSURES:** 1.0 - 5.0 bar  
**CARTRIDGE/VALVE TYPE:** N/A

- Easy To Fit Shower Rail - Simply Twist And Lock Brackets Into Place
- Smooth Easy Clean 1.5M Hose
- Includes Kiri Mk2 Satinjet Handset
- Easy To Clean Faceplate
- Lifetime Warranty On Handset

EKIT09-KR

Chrome

### Open Outlet Flow (Bar - l/min)

BAR	0.1	0.3	0.5	1.0	2.0	3.0	4.0	5.0
HANDSET FLOW	3	6	7.3	7.6	7.9	8.3	0	0



240588002



Please Note: Flow rate will be dictated by installation configurations.  
 Please ensure to check the appropriate flow restrictor information if applicable.  
 \*Please refer to website for full warranty details.

**FREEPHONE: 0800 195 1602 | FAX ORDERS: 08444 068 690 | EMAIL: SALES@UK.METHVEN.COM**

methven.com

THE INFORMATION ON THIS SPECIFICATION DOCUMENT WAS CORRECT AT THE DATE OF ISSUE. SOME VARIATION MAY OCCUR DUE TO THE MANUFACTURING TOLERANCES AND SITE SPECIFIC CONDITIONS.