

Warranty Information

Proof of purchase will be required.

The guarantee does not cover faults or damage caused by incorrect installation and/or maintenance, ordinary wear and tear, water composition, etc.

*Please see www.deva-uk.com for full terms and conditions of warranty

Cleaning

Your product has a high-quality finish and should be treated with care to preserve the visible surfaces. Never use abrasives or abrasive cleaning agents to clean this product. Clean regularly with contamination free warm water and a damp soft cloth. Do not use products containing chlorine bleach or hydrochloric acid as these can damage the product.

We have a policy of continuous improvement and reserve the right to change specifications without notice.

METHVEN UK LIMITED
METHVEN EXPERIENCE CENTRE

3/3A STONE CROSS COURT
YEW TREE WAY GOLBORNE
WARRINGTON
WA3 3JD
UNITED KINGDOM

INST-VitalityLeverKitchen-V1
27.07.2023

TEL: 0800 195 1602
FAX: 0844 406 8690
EMAIL: sales@uk.methven.com
www.deva-uk.com
www.methven.com

Vitality Lever Kitchen Collection

Installation Guide

FWZ` [US^EbW]XUSf[a`
AbWsf[Y Pressure
? [, " #4Sd
? Sj, ' z' 4Sd
AbWsf[Y FW_ bWsfgdW
: af, (' 5
Cold: ' 5



Please read all of the instructions before installation.

General

Methven recommends this product is installed by a competent person in compliance with all relevant regional regulations.

After installation all connections must be checked for leaks.

All outlets used primarily for personal hygiene shall deliver water at a safe temperature as per regional regulations.

It is the responsibility of the installer to ensure a waterproof seal is achieved.

Our fitting instructions have been created with you in mind to provide you with all the information you require and, if you need any further help, please don't hesitate to contact our customer care team on 0800 195 1602.

Troubleshooting

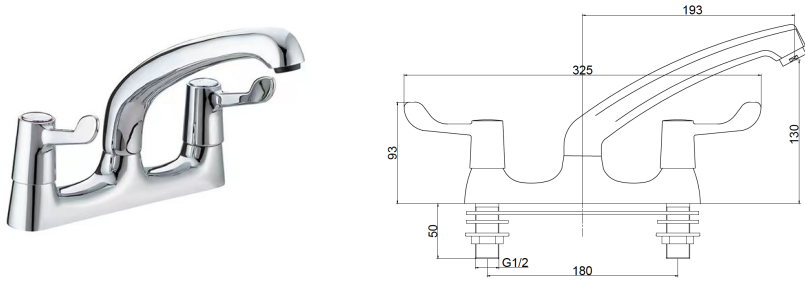
Symptom	Cause(s)	Resolution
Mixer not turning on	Mains Water supply turned off	Turn on the mains water supply
	Closed isolation valve	Open isolation valve
No hot water	Cold override	Check if the pressure is balanced. Fit pressure equalising valve.
Low Flow Rate/No Flow	Water supply failure	Investigate water supply, check plumbing and heating system for any faults
	Partially closed isolation valve	Open isolation valve
	Air lock or partial blockage in the supply pipework or hoses	Flush through pipework to ensure removal of debris and any airlocks.
	Water being drawn off elsewhere causing pressure changes or instantaneous boiler temperature changes. Ensure minimum pressure is being met.	Try not to use other water outlets when using the mixer
Water dripping from the mixer	This is normal for a short time after using the mixer	This is due to residual water tension, the build up of water in the mixer spout.
	If water continues to drip, possible issue with the flow control cartridge.	Please contact our customer care team.
Movement of fitted mixer	Fixing kit loose	Ensure fixing kit nut is sufficiently tightened.
	Extra support may be required depending on the surface the tap is fitted to.	Please contact customer care to purchase a under sink mounting triangle

IMPORTANT

If you are unsure of any part of the instructions in this document then we recommend that you contact a reputable qualified trades person.

Before installation identify all components and inspect the product for any damage.

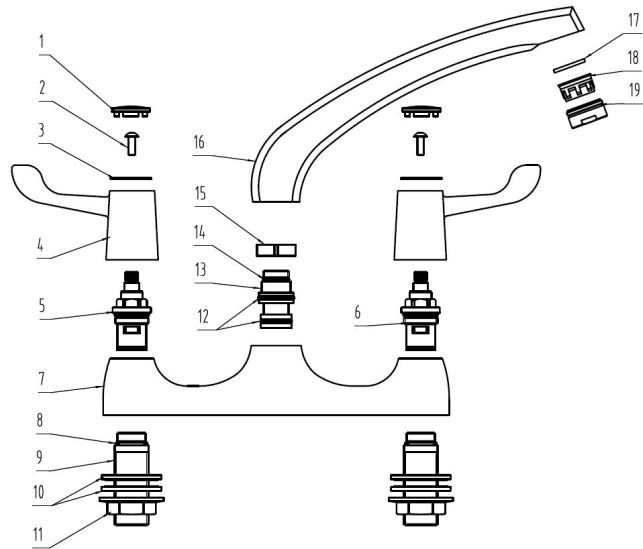
VL105, Deck Sink Mixer



Installation Instructions

Prior to installation please ensure all supply pipes have been thoroughly flushed through to remove any debris. Isolating valves must be fitted in a convenient position to allow future servicing of the fitting.

- Remove the metal backnuts (11) and washers (10) from the connection thread (9).
- Place the connection threads (9) through the holes in the sink and position.
- Place washer (10) onto connection thread (9) between sink unit and backnut (11), under the sink, and screw up until the tap is secured in position (do not overtighten). Please note additional sealant can be used if required.
- Connect the water supply pipes to the connection threads (9) and tighten, an adequate sealing method should be used to create a watertight seal.
- Reinstate the water supply and test for leaks.



INDEX



Product Description

Page

VL103, Sink Taps

4

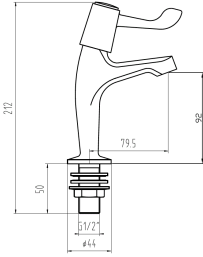
VL104, Sink Mixer

5

VL105, Deck Mounted Sink Mixer

6

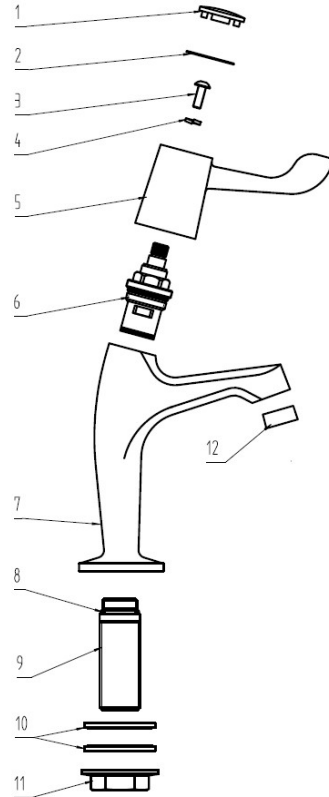
VL103, Sink Taps



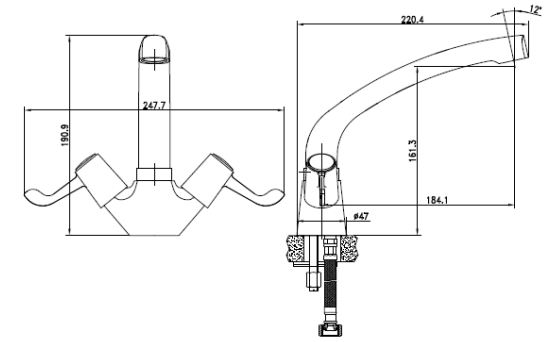
Installation Instructions

Prior to installation please ensure all supply pipes have been thoroughly flushed through to remove any debris. Isolating valves must be fitted in a convenient position to allow future servicing of the fitting.

- Remove the metal backnut (11) and 1 washer (10) from the connection thread (9), leaving 1 washer (10) over the connection thread (9).
- Place the connection thread (9) through the hole in the sink and position, so as to direct flow correctly, ensuring the hot tap is positioned on the left hand side and the cold tap is positioned on the right hand side.
- Place washer (10) onto connection thread (9) between sink unit and backnut (11).
- Tighten the backnut (11) to secure the sink tap to sink, do not over tighten as this may damage the nut or the unit.
- Before fully tightening, ensure the tap is still positioned correctly.
- Once secured connect the supply pipe and tighten to create a good seal.
- Turn on water supply and check for leaks.



VL104, Sink Mixer



Installation Instructions

Prior to installation please ensure all supply pipes have been thoroughly flushed through to remove any debris. Isolating valves must be fitted in a convenient position to allow future servicing of the fitting.

- Screw the threaded fixing bolt (18) into the bottom of the mixer body (7)
- Screw both Flexi Tails (23) into the tap body, ensuring that the O-Ring on the tail is positioned inside the tap body.
Hand tighten, do not use PTFE tape or similar to create the seal.
- Offer the tap up to the hole in the sink.
- On the underside of the sink fit the rubber (16) and metal (17) horseshoe shaped washers onto the threaded fixing bolt (18) and using the nut (19) provided tighten until the tap is secure in the mounting hole.
Note: If required an under sink mounting triangle can be purchased, this should be used on thin work surfaces to help distribute the weight of the tap and provide a thicker mounting surface for the fixing kit to clamp to.
- Connect the male end of the tail to the corresponding hot and cold inlets, take care not to bend the tails above 30° from the vertical.
- Reinstate water supply and test for leaks.

