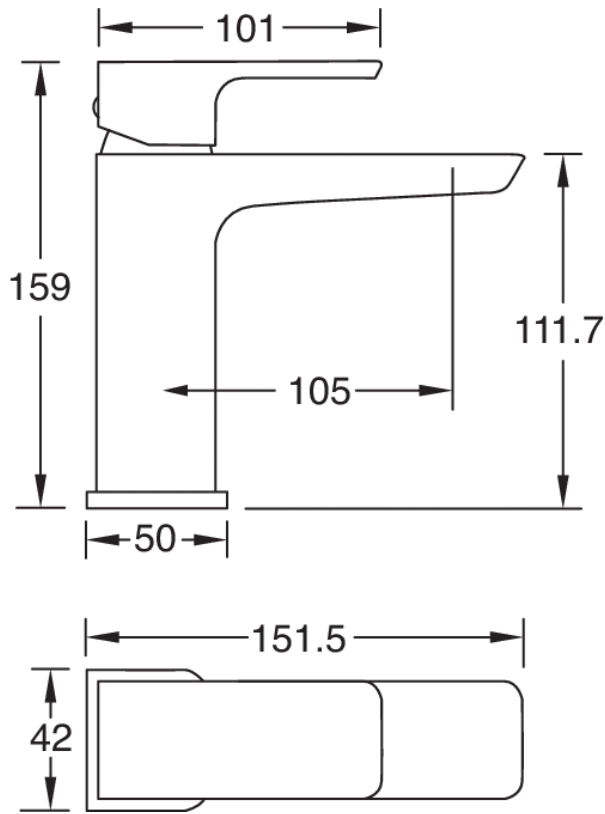


## WAI BASIN MIXER & PRESS TOP WASTE - CHROME



**CONSTRUCTION:** Brass  
**CARTRIDGE/VALVE TYPE:** 35mm Ceramic Cartridge  
**SUPPLY:** Suitable For High Pressure Systems  
**INLET CONNECTIONS:** 1/2" BSP  
**WORKING PRESSURES:** 0.3 - 5.0 bar  
**OPERATION:** Tilt And Turn Temperature And Flow Control

- Contemporary Square Design
- Ceramic Cartridge For Smooth Operation
- Fitted With A 4 L/Min Flow Regulator
- Slim stream directional aerator prevents splashback
- Includes Press Top Waste
- Products Which Are Easy To Use By All The Family
- Full Colour Packaging

WAIBCPUK

Chrome

### Open Outlet Flow (Bar - l/min)

BAR	0.1	0.3	0.5	1.0	2.0	3.0	4.0	5.0
<b>SPOUT FLOW</b>	1.4	2.1	2.7	3.5	3.5	3.6	3.8	3.8



240602063



Please Note: Flow rate will be dictated by installation configurations.  
 Please ensure to check the appropriate flow restrictor information if applicable.  
 \*Please refer to website for full warranty details.

**FREEPHONE: 0800 195 1602 | FAX ORDERS: 08444 068 690 | EMAIL: SALES@UK.METHVEN.COM**

methven.com

THE INFORMATION ON THIS SPECIFICATION DOCUMENT WAS CORRECT AT THE DATE OF ISSUE. SOME VARIATION MAY OCCUR DUE TO THE MANUFACTURING TOLERANCES AND SITE SPECIFIC CONDITIONS.