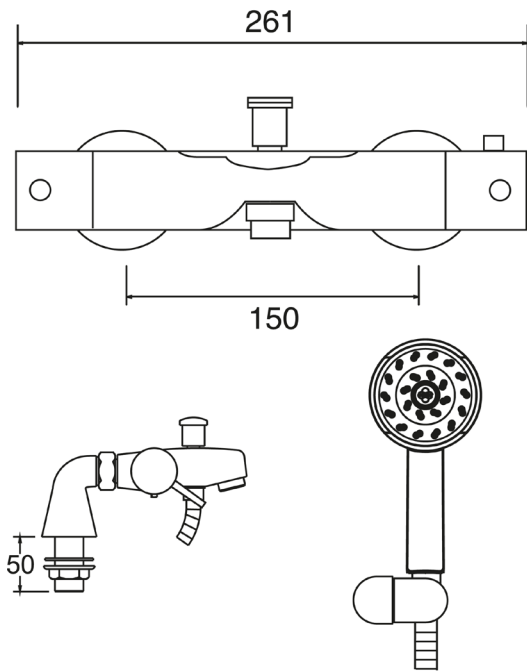


## THERMOSTATIC BATH SHOWER MIXER



**CONSTRUCTION:** Brass & ABS

**CARTRIDGE/VALVE TYPE:** Thermostatic

**SUPPLY:** Suitable For High Pressure Systems

**INLET CONNECTIONS:** 3/4" BSP

**WORKING PRESSURES:** 0.5 - 5.0 bar

**OPERATION:** Separate Flow And Temperature Controls

- Complete With Kiri Satinjet Handset & Wall Bracket
- Water Efficient Without Compromising Performance
- Fitted With 8Lpm Flow Regulator
- Thermostatic Valve With 38°C Temperature Stop (With Override)
- Products Which Are Easy To Use By All The Family

TLVBSM

Chrome

### Open Outlet Flow (Bar - l/min)

BAR	0.1	0.3	0.5	1.0	2.0	3.0	4.0	5.0
<b>SPOUT FLOW</b>	3.6	6.1	8.2	12.2	17.4	21.3	24.7	27.7
<b>HANDSET FLOW</b>	1.8	3.3	4.6	6.8	8.4	8.1	8.5	8.5



2011901



Please Note: Flow rate will be dictated by installation configurations.  
Please ensure to check the appropriate flow restrictor information if applicable.

\*Please refer to website for full warranty details.

**FREEPHONE: 0800 195 1602 | FAX ORDERS: 08444 068 690 | EMAIL: SALES@UK.METHVEN.COM**

THE INFORMATION ON THIS SPECIFICATION DOCUMENT WAS CORRECT AT THE DATE OF ISSUE. SOME VARIATION MAY OCCUR DUE TO THE MANUFACTURING TOLERANCES AND SITE SPECIFIC CONDITIONS.



2308970

methven.com