



Cross Handle

Cross Handle Sink Taps

Product Code: 183X

Finish: Chrome

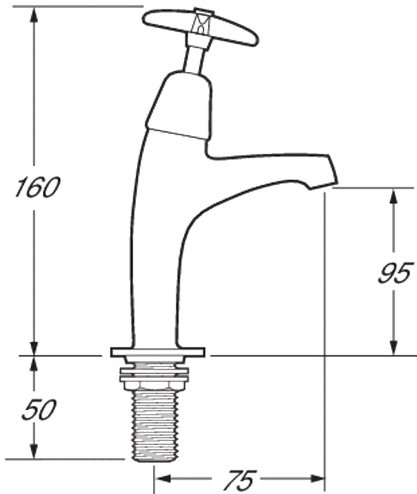
Features

- Construction:** Brass
- Valve/Cartridge type:** Non-rising Spindle Headworks
- Supply:** Suitable For Low Pressure Systems
- Working Pressures:** 0.1 - 5.0 bar
- Inlet connections:** 1/2" BSP
- Flexi or Copper:** N/A

· Additional Set Of Red And Blue Indices Included



*Please refer to website for full warranty details.



Flow (Bar - l/min, open outlet)

Spout

| Flow 0.1 | Flow 0.3 | Flow 0.5 | Flow 1.0 | Flow 2.0 | Flow 3.0 | Flow 4.0 | Flow 5.0 |
|----------|----------|----------|----------|----------|----------|----------|----------|
| 7.7 | 11.7 | 15.8 | 23 | 33.1 | 40.9 | 47.5 | 53.2 |



2206374

