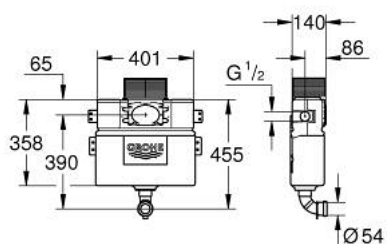


38 422 20A FLUSHING CISTERN FOR WC

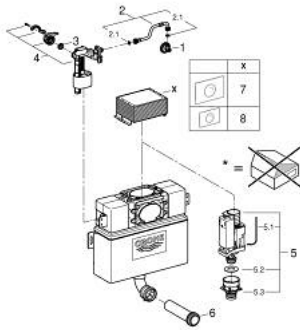


PRODUCT DESCRIPTION

- 6 l / 3 l flush
- 0.82 m finished installation height
- including WRAS approved filling valve
- front/top actuation
- water supply from left/right or back
- Insulated against condensation
- 415 x 140 x 360 mm
- fixing brackets
- flush pipe 37 489 000
- without wall plate/actuation
- GROHE Water Saving - Less water, perfect flow



38 422 20A FLUSHING CISTERN FOR WC



SPARE PARTS, August 2023 – now

- 1: Water connection (Spare part-nr. 48561000)
 - 2: Overflow Sleeve (Spare part-nr. 43325000)
 - 2.1: O-Ring (Spare part-nr. 0319100M)
 - 3: Membrane (Spare part-nr. 4265000M)
 - 4: Filling valve (Spare part-nr. 42649000)
 - 5: Discharge valve AV1 complete (Spare part-nr. 42314000)
 - 5.1: Pneumatic hose (Spare part-nr. 42319000)
 - 5.2: Sealing washer (Spare part-nr. 42310000)
 - 5.3: Valve seat for GD2 (Spare part-nr. 42315000)
 - 6: Flush pipe extension (Spare part-nr. 37489000)
 - 7: inspection shaft for flushing cistern (Spare part-nr. 42326000)
 - 8: Inspection shaft for small flush plates (Spare part-nr. 40950000)*
- * Optional accessories