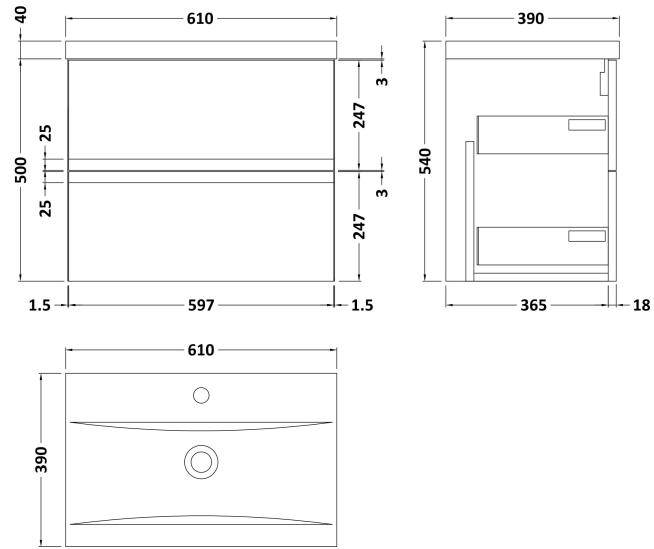


Sales Code: URB1404A

Description: 600 W/H 2-Drawer Unit & Basin 1

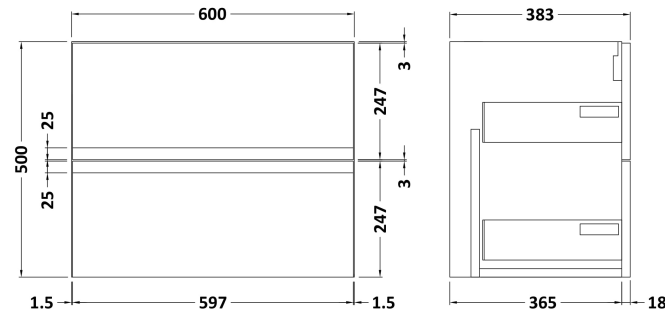
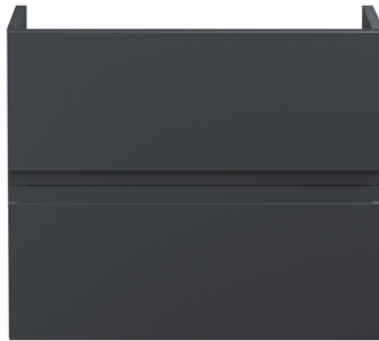


Packaging Details

Barcode: 5056678415887

Sales Code: URB1493

Description: 600 W/H 2-Drawer Unit



Product Dimensions

| | |
|-------------------|------|
| Height (mm): | 500 |
| Width (mm): | 610 |
| Depth (mm): | 383 |
| Nett Weight (kg): | 21.5 |

Packaging Dimensions

| | |
|--------------------|-----|
| Height (mm): | 500 |
| Width (mm): | 595 |
| Depth (mm): | 383 |
| Gross Weight (kg): | 22 |

Packaging Data

| | |
|---------------|---------------------|
| Box Colour: | Brown Cardboard Box |
| Box Qty: | 1 |
| Label Size: | 100 x 50 |
| Label Colour: | White Label |
| Label Qty: | 2 |

Outer Box Dimensions (If Applicable)

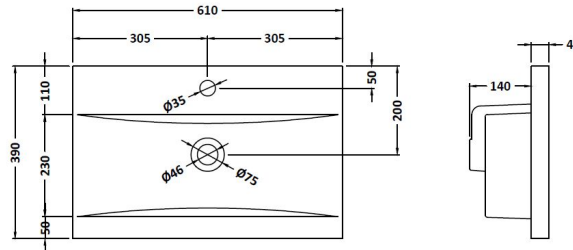
| | |
|--------------------|---------------|
| Height (mm): | |
| Width (mm): | |
| Depth (mm): | |
| Gross Weight (kg): | |
| Barcode: | 5056678402863 |

Product Details

| | |
|--------------------------|---------------------------|
| Country of Origin: | China |
| Fitting Instruction: | No |
| CE & UKCA: | N/A |
| FSC Certified Materials: | Yes |
| Colour: | Satin Anthracite |
| Construction Method: | Cam & Wood Dowel |
| Construction Type: | Rigid |
| Cabinet Finish: | MFC Painted Matt |
| Fascia Finish: | Mdf Painted Matt |
| Cabinet Thickness (mm): | 18 |
| Fascia Thickness (mm): | 18 |
| Drawer Included: | Yes |
| Drawer Type: | 80mm High Metal Softclose |
| No of Shelves: | 0 |
| Hinge Type: | Not Applicable |
| Hinge Included: | No |
| Adjustable Legs: | No |
| Fixings Included: | Yes |
| Handle Style: | Not Applicable |
| Waste Shroud: | Yes |
| Handle Included: | No, Not Required |
| Handle Type: | Handleless |

Sales Code: NVM013

Description: 600 Mid-Edged Basin 1 Th



Product Dimensions

| | |
|-------------------|-----|
| Height (mm): | 180 |
| Width (mm): | 610 |
| Depth (mm): | 390 |
| Nett Weight (kg): | 11 |

Packaging Dimensions

| | |
|--------------------|-----|
| Height (mm): | 200 |
| Width (mm): | 410 |
| Depth (mm): | 630 |
| Gross Weight (kg): | 11 |

Packaging Data

| | |
|---------------|-------------------------------|
| Box Colour: | Brown Cardboard Box - Printed |
| Box Qty: | 1 |
| Label Size: | 100 x 50 |
| Label Colour: | White Label |
| Label Qty: | 2 |

Outer Box Dimensions (If Applicable)

| | |
|--------------------|---------------|
| Height (mm): | |
| Width (mm): | |
| Depth (mm): | |
| Gross Weight (kg): | |
| Barcode: | 5055369043415 |

Product Details

| | |
|---------------------------|----------------|
| Country of Origin: | China |
| Fitting Instruction: | No |
| Certification: CE & UKCA: | No |
| WRAS: | N/A |
| WRAS No: | N/A |
| Product Material: | Vitreous China |
| Fixing Supplied: | No |

Pans/Bidets: Trap Style: Not Applicable Includes Seat: Not Applicable

Seats: Seat Type: Not Applicable Material: Not Applicable
Function: Not Applicable Hinge Type: Not Applicable
Hinge Material: Not Applicable

Cisterns: Operating Type: Not Applicable Fittings: Not Applicable
Lever Type: Not Applicable

Basins: Tap Hole: One Taphole Chain Stay Hole: No
Template: Not Required Waste Type Req: Slotted
Overflow Inc: Yes Overflow Cover: Yes
Inner Bowl Depth (mm): 125mm