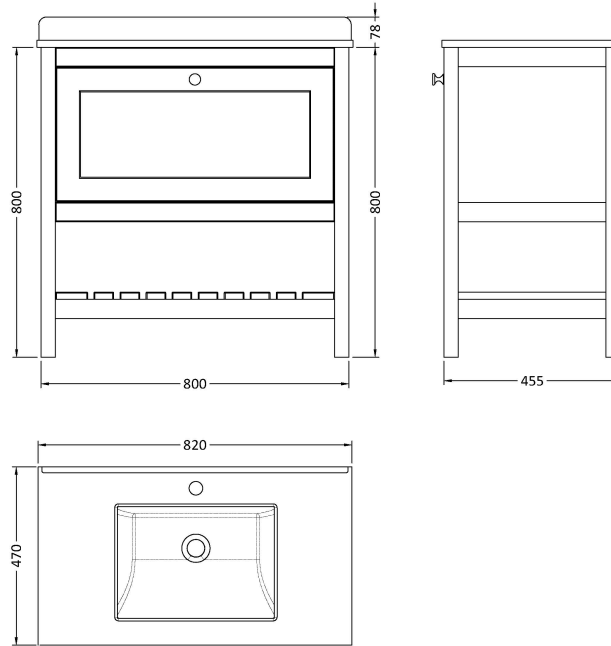


Sales Code: BEX327WS1

Description: 800 F/S Drawer & Marble Top 1Th

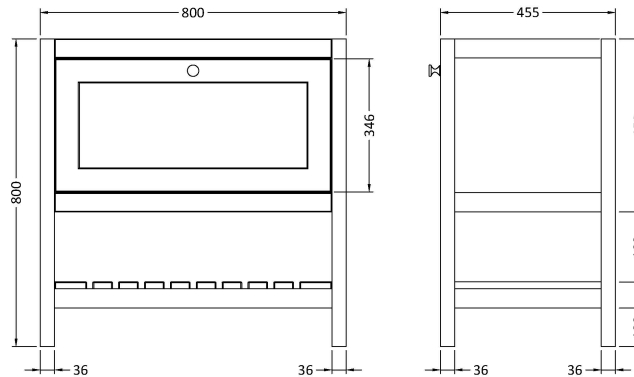
### Packaging Details

Barcode: 5056678423103



Sales Code: BEX327N

Description: 800 F/S Single Drawer Unit



### Product Dimensions

|                   |      |
|-------------------|------|
| Height (mm):      | 800  |
| Width (mm):       | 795  |
| Depth (mm):       | 450  |
| Nett Weight (kg): | 25.5 |

### Packaging Dimensions

|                    |     |
|--------------------|-----|
| Height (mm):       | 820 |
| Width (mm):        | 820 |
| Depth (mm):        | 475 |
| Gross Weight (kg): | 26  |

### Packaging Data

|               |                     |
|---------------|---------------------|
| Box Colour:   | Brown Cardboard Box |
| Box Qty:      | 1                   |
| Label Size:   | 150 x 100           |
| Label Colour: | White Label         |
| Label Qty:    | 2                   |

### Outer Box Dimensions (If Applicable)

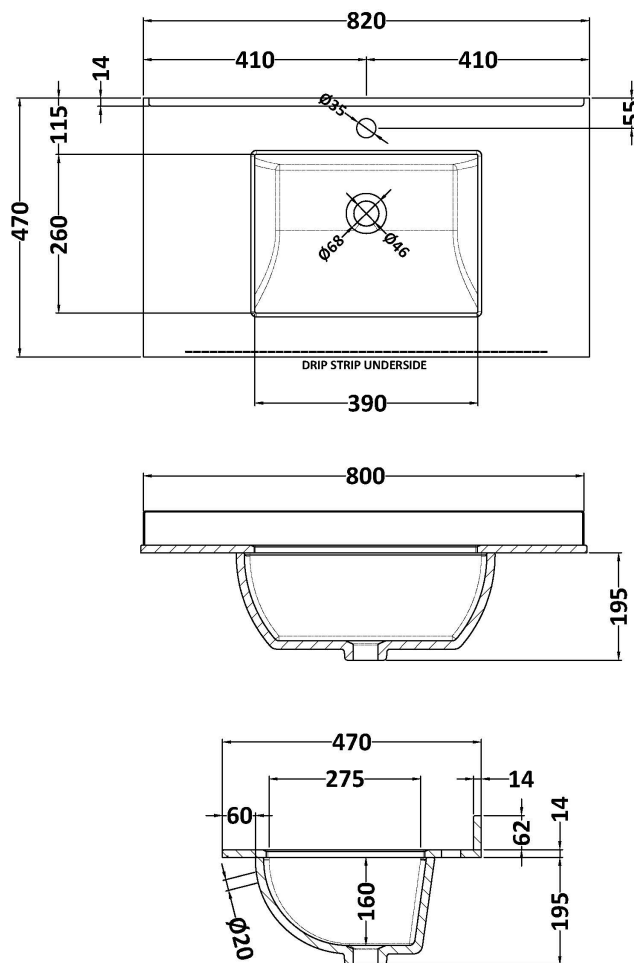
|                    |               |
|--------------------|---------------|
| Height (mm):       |               |
| Width (mm):        |               |
| Depth (mm):        |               |
| Gross Weight (kg): |               |
| Barcode:           | 5056678497708 |

### Product Details

|                          |                                |
|--------------------------|--------------------------------|
| Country of Origin:       | Ireland                        |
| Fitting Instruction:     | No                             |
| CE & UKCA:               |                                |
| FSC Certified Materials: | Yes                            |
| Colour:                  | Indigo Blue                    |
| Construction Method:     | Cam & Wood Dowel               |
| Construction Type:       | Rigid                          |
| Cabinet Finish:          | MFC Smooth Matt                |
| Fascia Finish:           | MFC Smooth Matt                |
| Cabinet Thickness (mm):  | 18                             |
| Fascia Thickness (mm):   | 18                             |
| Drawer Included:         | Yes                            |
| Drawer Type:             | 80mm High Metal S/C Inc Galler |
| No of Shelves:           | 1                              |
| Hinge Type:              | Not Applicable                 |
| Hinge Included:          | No                             |
| Adjustable Legs:         | Not Applicable                 |
| Fixings Included:        | Not Required                   |
| Handle Style:            | Traditional                    |
| Waste Shroud:            | Yes                            |
| Handle Included:         | Yes                            |
| Handle Type:             | Knob                           |

Sales Code: LSM228

Description: 800 Single Bowl Marble Top 1Th



### Product Dimensions

|                   |     |
|-------------------|-----|
| Height (mm):      | 62  |
| Width (mm):       | 820 |
| Depth (mm):       | 470 |
| Nett Weight (kg): | 18  |

### Packaging Dimensions

|                    |      |
|--------------------|------|
| Height (mm):       | 310  |
| Width (mm):        | 900  |
| Depth (mm):        | 550  |
| Gross Weight (kg): | 18.5 |

### Packaging Data

|               |                     |
|---------------|---------------------|
| Box Colour:   | White Cardboard Box |
| Box Qty:      | 1                   |
| Label Size:   | 100 x 50            |
| Label Colour: | White Label         |
| Label Qty:    | 2                   |

### Outer Box Dimensions (If Applicable)

|                    |               |
|--------------------|---------------|
| Height (mm):       |               |
| Width (mm):        |               |
| Depth (mm):        |               |
| Gross Weight (kg): |               |
| Barcode:           | 5056462655925 |

### Product Details

|                           |                                |
|---------------------------|--------------------------------|
| Country of Origin:        | China                          |
| Fitting Instruction:      | No                             |
| Certification: CE & UKCA: | N/A                            |
| WRAS:                     | N/A                            |
| WRAS No:                  | N/A                            |
| Product Material:         | Vitreous China, Natural Marble |
| Fixing Supplied:          | No                             |

**Pans/Bidets:** Trap Style: Not Applicable Includes Seat: Not Applicable

**Seats:** Seat Type: Not Applicable Material: Not Applicable  
Function: Not Applicable Hinge Type: Not Applicable  
Hinge Material: Not Applicable

**Cisterns:** Operating Type: Not Applicable Fittings: Not Applicable  
Lever Type: Not Applicable

**Basins:** Tap Hole: One Taphole Chain Stay Hole: No  
Template: Not Applicable Waste Type Req: Slotted  
Overflow Inc: Yes Overflow Cover: Yes  
Inner Bowl Depth (mm): 160mm