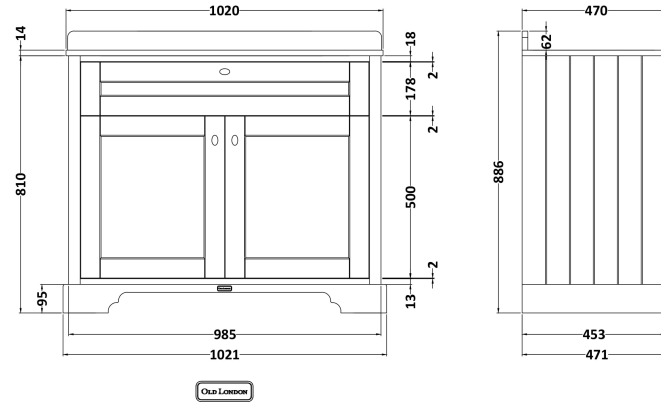


Sales Code: LOF377S

Description: 1000 2-Door Unit & Sq Marble Top 1Th

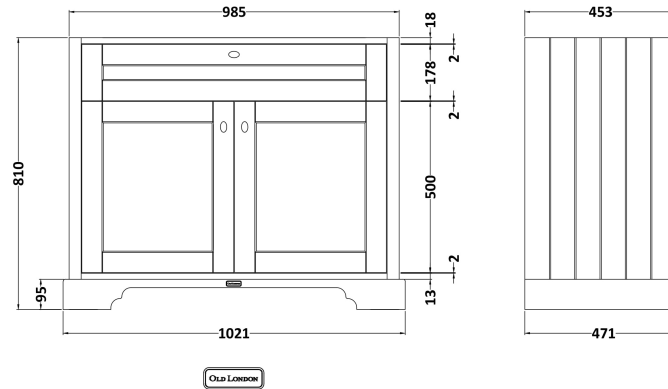


Packaging Details

Barcode: 5056462694948

Sales Code: LON307

Description: 1000 2-Door Basin Unit



Product Dimensions

| | |
|-------------------|------|
| Height (mm): | 810 |
| Width (mm): | 1021 |
| Depth (mm): | 471 |
| Nett Weight (kg): | 42.5 |

Packaging Dimensions

| | |
|--------------------|------|
| Height (mm): | 850 |
| Width (mm): | 1055 |
| Depth (mm): | 510 |
| Gross Weight (kg): | 43.5 |

Packaging Data

| | |
|---------------|---------------------|
| Box Colour: | Brown Cardboard Box |
| Box Qty: | 1 |
| Label Size: | 150 x 100 |
| Label Colour: | White Label |
| Label Qty: | 2 |

Outer Box Dimensions (If Applicable)

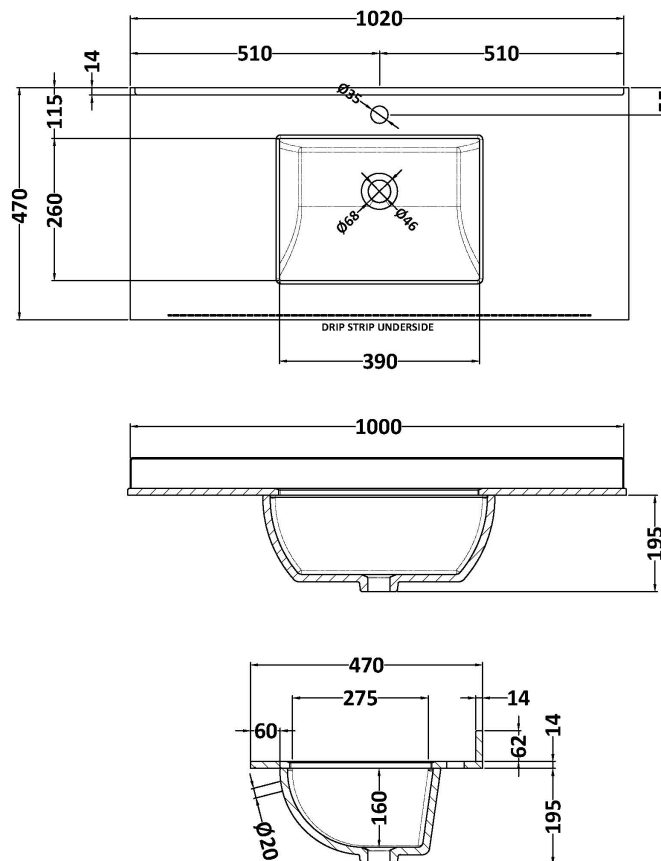
| | |
|--------------------|---------------|
| Height (mm): | |
| Width (mm): | |
| Depth (mm): | |
| Gross Weight (kg): | |
| Barcode: | 5056211844594 |

Product Details

| | |
|--------------------------|-----------------------------|
| Country of Origin: | Ireland |
| Fitting Instruction: | No |
| CE & UKCA: | |
| FSC Certified Materials: | Yes |
| Colour: | Twilight Blue |
| Construction Method: | Cam & Wood Dowel |
| Construction Type: | Rigid |
| Cabinet Finish: | Mdf Vinyl Smooth Matt |
| Fascia Finish: | Mdf Vinyl Smooth Matt |
| Cabinet Thickness (mm): | 18 |
| Fascia Thickness (mm): | 18 |
| Drawer Included: | No |
| Drawer Type: | Not Applicable |
| No of Shelves: | 1 |
| Hinge Type: | 95 Degree Inset Clip-On S/C |
| Hinge Included: | Yes |
| Adjustable Legs: | Not Applicable |
| Fixings Included: | Not Required |
| Handle Style: | Traditional |
| Waste Shroud: | No |
| Handle Included: | Yes |
| Handle Type: | Knob |

Sales Code: LSM246

Description: 1000 Rectangle Marble Top/Basin 1Th



Product Dimensions

| | |
|-------------------|------|
| Height (mm): | 268 |
| Width (mm): | 1020 |
| Depth (mm): | 470 |
| Nett Weight (kg): | 18 |

Packaging Dimensions

| | |
|--------------------|------|
| Height (mm): | 250 |
| Width (mm): | 1100 |
| Depth (mm): | 580 |
| Gross Weight (kg): | 18.5 |

Packaging Data

| | |
|---------------|---------------------|
| Box Colour: | White Cardboard Box |
| Box Qty: | 1 |
| Label Size: | 100 x 50 |
| Label Colour: | White Label |
| Label Qty: | 2 |

Outer Box Dimensions (If Applicable)

| | |
|--------------------|---------------|
| Height (mm): | |
| Width (mm): | |
| Depth (mm): | |
| Gross Weight (kg): | |
| Barcode: | 5056462655987 |

Product Details

| | |
|---------------------------|--------------------------------|
| Country of Origin: | China |
| Fitting Instruction: | No |
| Certification: CE & UKCA: | N/A |
| WRAS: | N/A |
| WRAS No: | N/A |
| Product Material: | Vitreous China, Natural Marble |
| Fixing Supplied: | No |

Pans/Bidets: Trap Style: Not Applicable Includes Seat: Not Applicable

Seats: Seat Type: Not Applicable Material: Not Applicable
Function: Not Applicable Hinge Type: Not Applicable
Hinge Material: Not Applicable

Cisterns: Operating Type: Not Applicable Fittings: Not Applicable
Lever Type: Not Applicable

Basins: Tap Hole: One Taphole Chain Stay Hole: No
Template: Not Applicable Waste Type Req: Slotted
Overflow Inc: Yes Overflow Cover: Yes
Inner Bowl Depth (mm): 160mm