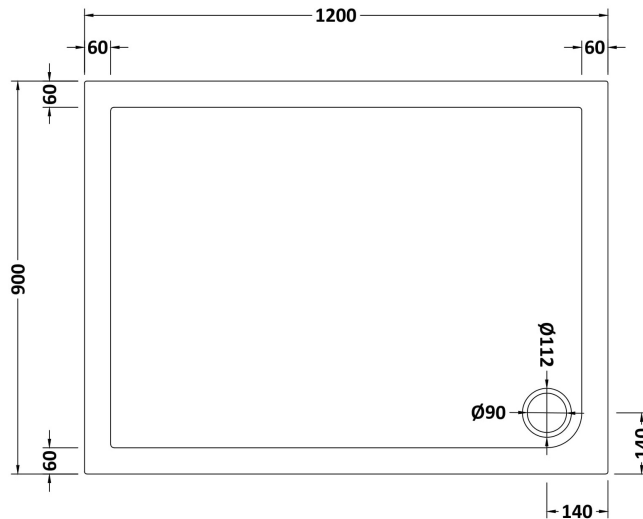


**Sales Code:** NSR024

**Description:** Sr Rectangular Tray 1200X900x40



### Product Dimensions

|                   |      |
|-------------------|------|
| Length (mm):      | 1200 |
| Width (mm):       | 900  |
| Height (mm):      | 40   |
| Nett Weight (kg): | 34.6 |

### Packaging Dimensions

|                    |      |
|--------------------|------|
| Length (mm):       | 1240 |
| Width (mm):        | 940  |
| Height (mm):       | 80   |
| Gross Weight (kg): | 34.9 |

### Packaging Data

|               |                          |
|---------------|--------------------------|
| Box Colour:   | Shrinkwrap & Polystyrene |
| Box Qty:      | 1                        |
| Label Size:   | 100 x 50                 |
| Label Colour: | White Label              |
| Label Qty:    | 2                        |

### Outer Box Dimensions (If Applicable)

|                    |               |
|--------------------|---------------|
| Length (mm):       |               |
| Width (mm):        |               |
| Height (mm):       |               |
| Gross Weight (kg): |               |
| Barcode:           | 5056211872313 |

### Product Details

|                            |                               |
|----------------------------|-------------------------------|
| Country of Origin:         | United Kingdom                |
| Fitting Instruction:       | No                            |
| CE & UKCA:                 | Yes                           |
| Colour/Finish:             | White                         |
| Product Material:          | Acrylic Capped ABS Caco3 & Pu |
| Material Colour Reference: | European White                |
| Radius:                    | 0                             |
| Waste Required (mm):       | 90                            |
| Compatible with Leg Kit:   | Yes                           |