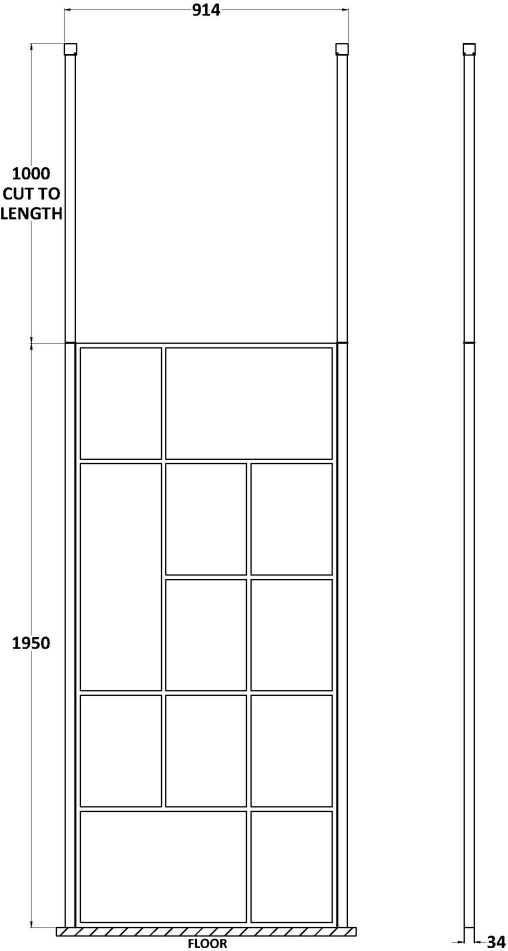


Sales Code: BFCPB090

Description: ABSTRACT 900 Screen With Ceiling Posts

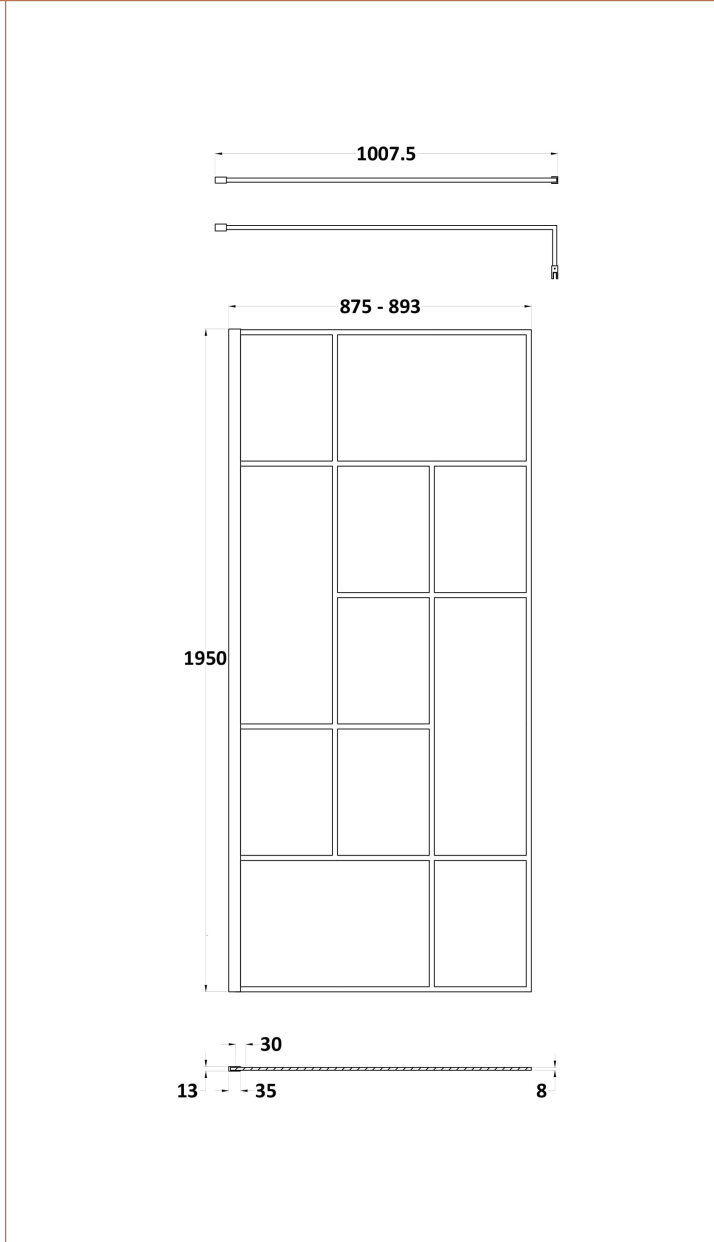
Packaging Details

Barcode: 5056462644233



Sales Code: WRSFB090

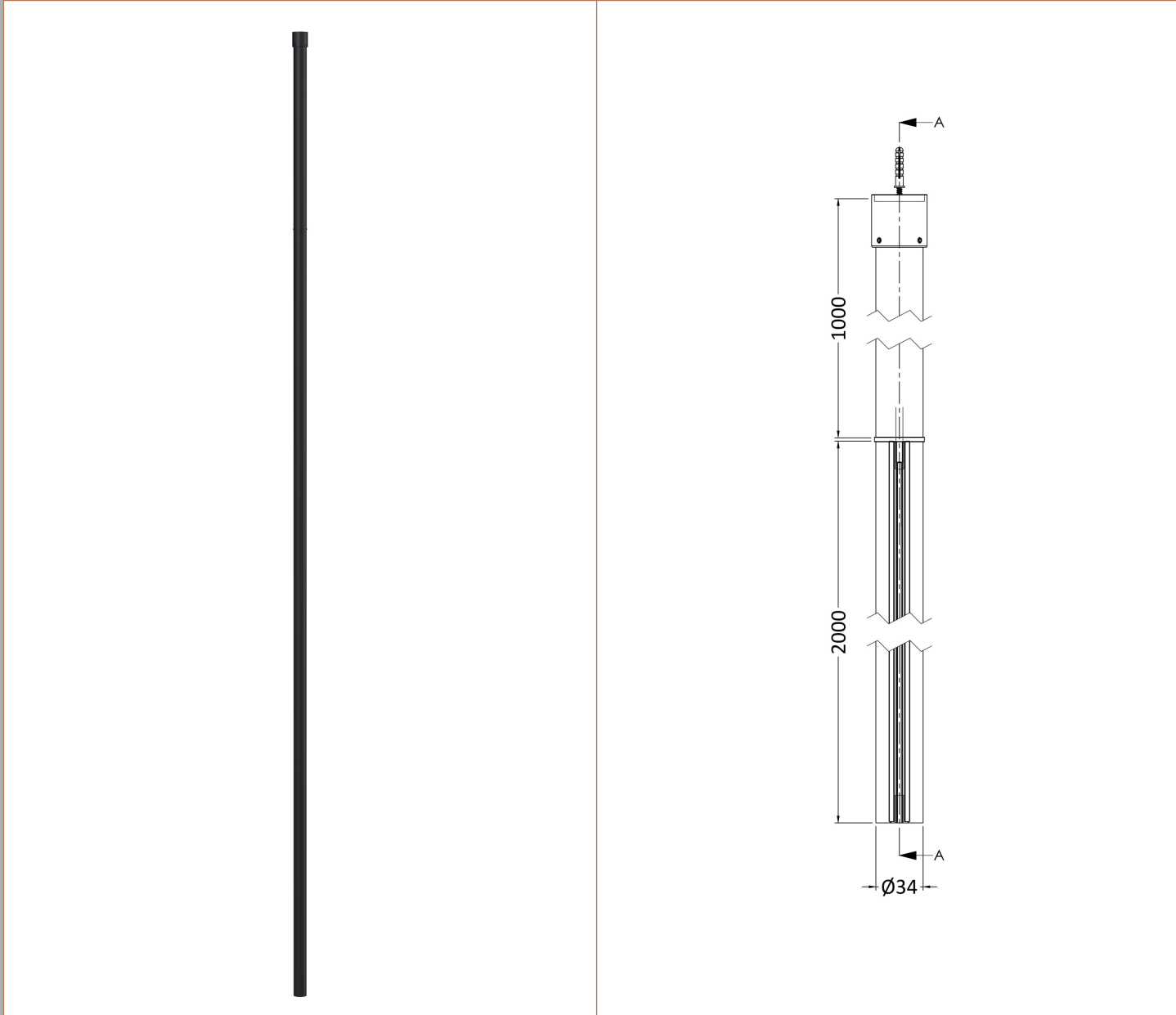
Description: ABSTRACT Wetroom Screen 900X1950x8



| Product Dimensions                   |                               |
|--------------------------------------|-------------------------------|
| Height (mm):                         | 1950                          |
| Width (mm):                          | 893                           |
| Depth (mm):                          | 14                            |
| Nett Weight (kg):                    | 39.8                          |
| Packaging Dimensions                 |                               |
| Height (mm):                         | 60                            |
| Width (mm):                          | 950                           |
| Length (mm):                         | 2070                          |
| Gross Weight (kg):                   | 40.3                          |
| Packaging Data                       |                               |
| Box Colour:                          | Brown Cardboard Box - Printed |
| Box Qty:                             | 1                             |
| Label Size:                          | x                             |
| Label Colour:                        | Not Applicable                |
| Label Qty:                           | 0                             |
| Outer Box Dimensions (If Applicable) |                               |
| Height (mm):                         |                               |
| Width (mm):                          |                               |
| Depth (mm):                          |                               |
| Length (mm):                         |                               |
| Gross Weight (kg):                   |                               |
| Barcode:                             | 5056462614144                 |
| Product Details                      |                               |
| Country of Origin:                   | China                         |
| Fitting Instruction:                 | No                            |
| CE & UKCA:                           | Yes                           |
| Profile Material:                    | Aluminium                     |
| Profile Finish:                      | Matt Black                    |
| Adjustments (mm):                    | 875mm-893mm                   |
| Entry Width (mm):                    | N/A                           |
| Swing In Dim (mm):                   | N/A                           |
| Swing Out Dim (mm):                  | N/A                           |
| Radius (mm):                         | Not Applicable                |
| Glass Thickness (mm):                | 8                             |
| Easy Fit:                            | No                            |
| Easy Clean:                          | No                            |
| Handle Style:                        | Not Applicable                |
| Handle Material:                     | Not Applicable                |
| Enclosure Design:                    | Frameless                     |
| Wheel Type:                          | Not Applicable                |
| Support Bar Included:                | Support Bar Included          |
| Extras:                              | None                          |

Sales Code: WRSF006

Description: 2/1M Wetroom Screen Ceiling Post Black



**Product Dimensions**

|                   |      |
|-------------------|------|
| Height (mm):      | 3000 |
| Width (mm):       | 34   |
| Depth (mm):       | 34   |
| Nett Weight (kg): | 3    |

**Packaging Dimensions**

|                    |      |
|--------------------|------|
| Height (mm):       | 2030 |
| Width (mm):        | 100  |
| Length (mm):       | 70   |
| Gross Weight (kg): | 3    |

**Packaging Data**

|               |                               |
|---------------|-------------------------------|
| Box Colour:   | Brown Cardboard Box - Printed |
| Box Qty:      | 1                             |
| Label Size:   | 100 x 50                      |
| Label Colour: | White Label                   |
| Label Qty:    | 1                             |

**Outer Box Dimensions (If Applicable)**

|                    |               |
|--------------------|---------------|
| Height (mm):       |               |
| Width (mm):        |               |
| Depth (mm):        |               |
| Length (mm):       |               |
| Gross Weight (kg): |               |
| Barcode:           | 5056211850601 |

**Product Details**

|                       |                          |
|-----------------------|--------------------------|
| Country of Origin:    | China                    |
| Fitting Instruction:  | No                       |
| CE & UKCA:            | N/A                      |
| Profile Material:     | Aluminium                |
| Profile Finish:       | Matt Black               |
| Adjustments (mm):     | N/A                      |
| Entry Width (mm):     | N/A                      |
| Swing In Dim (mm):    | N/A                      |
| Swing Out Dim (mm):   | N/A                      |
| Radius (mm):          | Not Applicable           |
| Glass Thickness (mm): |                          |
| Easy Fit:             | Not Applicable           |
| Easy Clean:           | Not Applicable           |
| Handle Style:         | Not Applicable           |
| Handle Material:      | Not Applicable           |
| Enclosure Design:     | Not Applicable           |
| Wheel Type:           | Not Applicable           |
| Support Bar Included: | Support Bar Not Included |
| Extras:               | None                     |