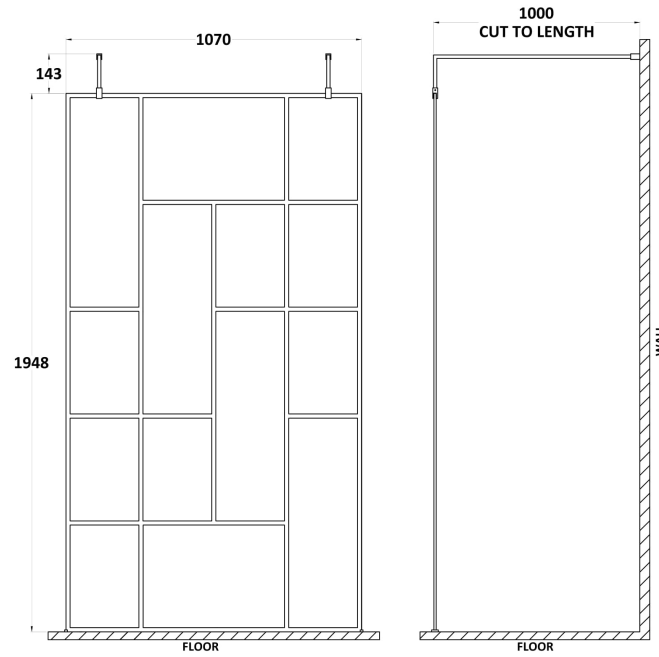
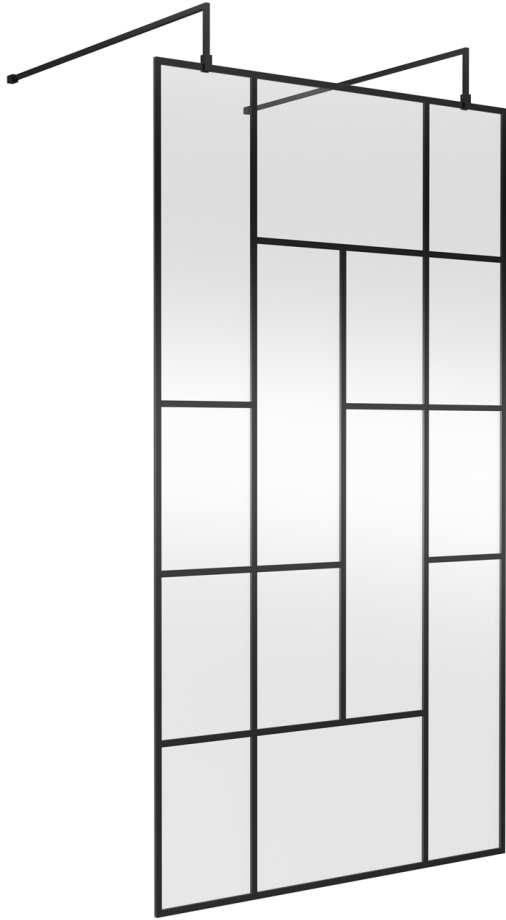


Sales Code: BFAFB11

Description: ABSTRACT 1100 Screen With Arms And Feet

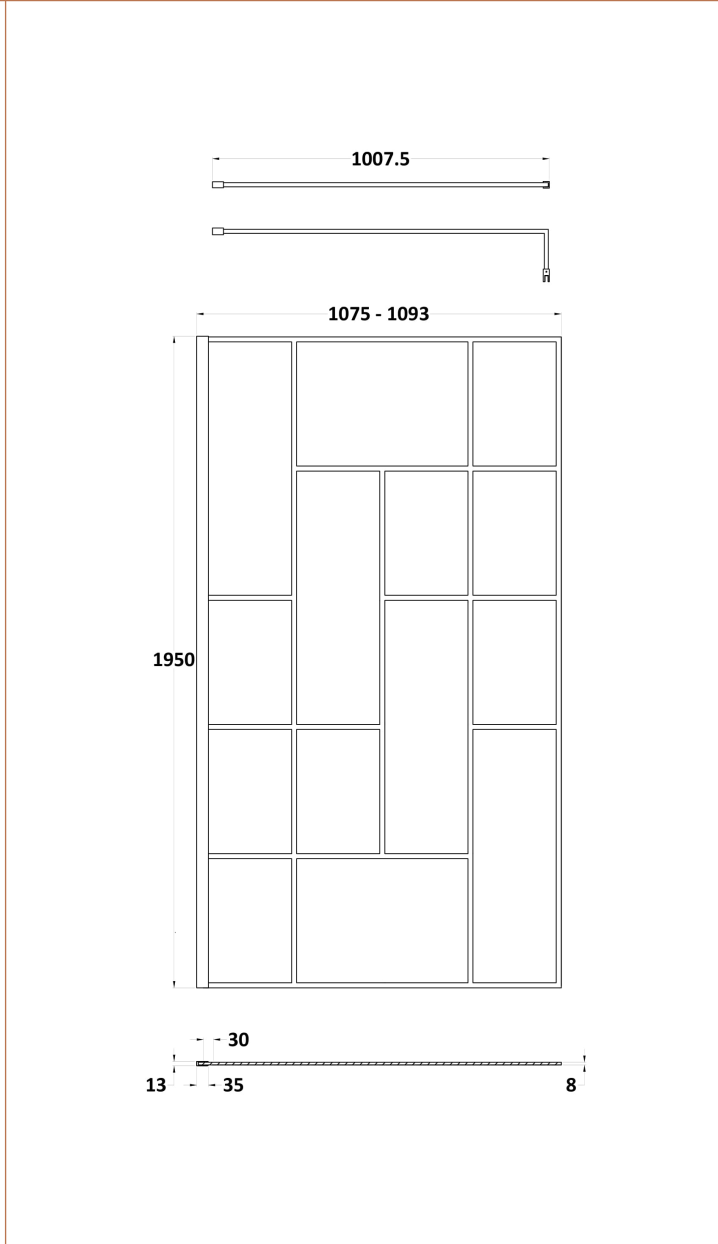
### Packaging Details

Barcode: 5056462644332



Sales Code: WRSFB11

Description: ABSTRACT Wetroom Screen 1100X1950x8



**Product Dimensions**

|                   |      |
|-------------------|------|
| Height (mm):      | 1950 |
| Width (mm):       | 1093 |
| Depth (mm):       | 14   |
| Nett Weight (kg): | 48.3 |

**Packaging Dimensions**

|                    |      |
|--------------------|------|
| Height (mm):       | 60   |
| Width (mm):        | 1150 |
| Length (mm):       | 2070 |
| Gross Weight (kg): | 48.8 |

**Packaging Data**

|               |                               |
|---------------|-------------------------------|
| Box Colour:   | Brown Cardboard Box - Printed |
| Box Qty:      | 1                             |
| Label Size:   | x                             |
| Label Colour: | Not Applicable                |
| Label Qty:    | 0                             |

**Outer Box Dimensions (If Applicable)**

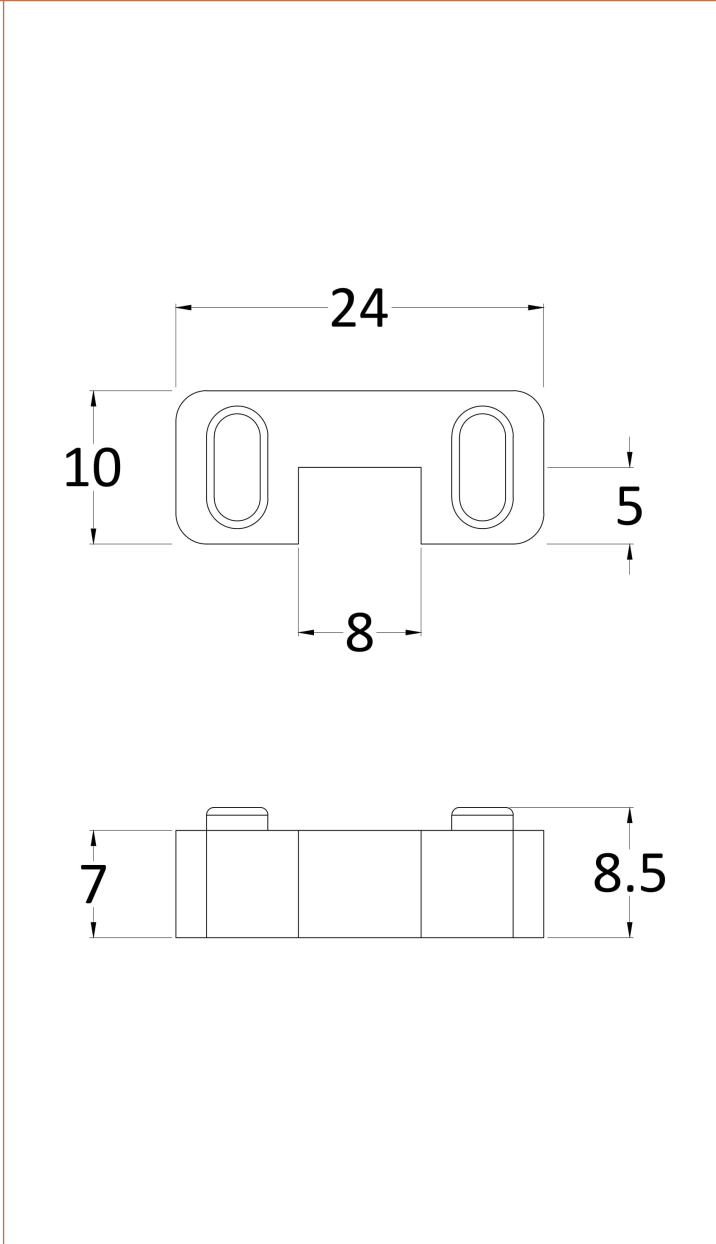
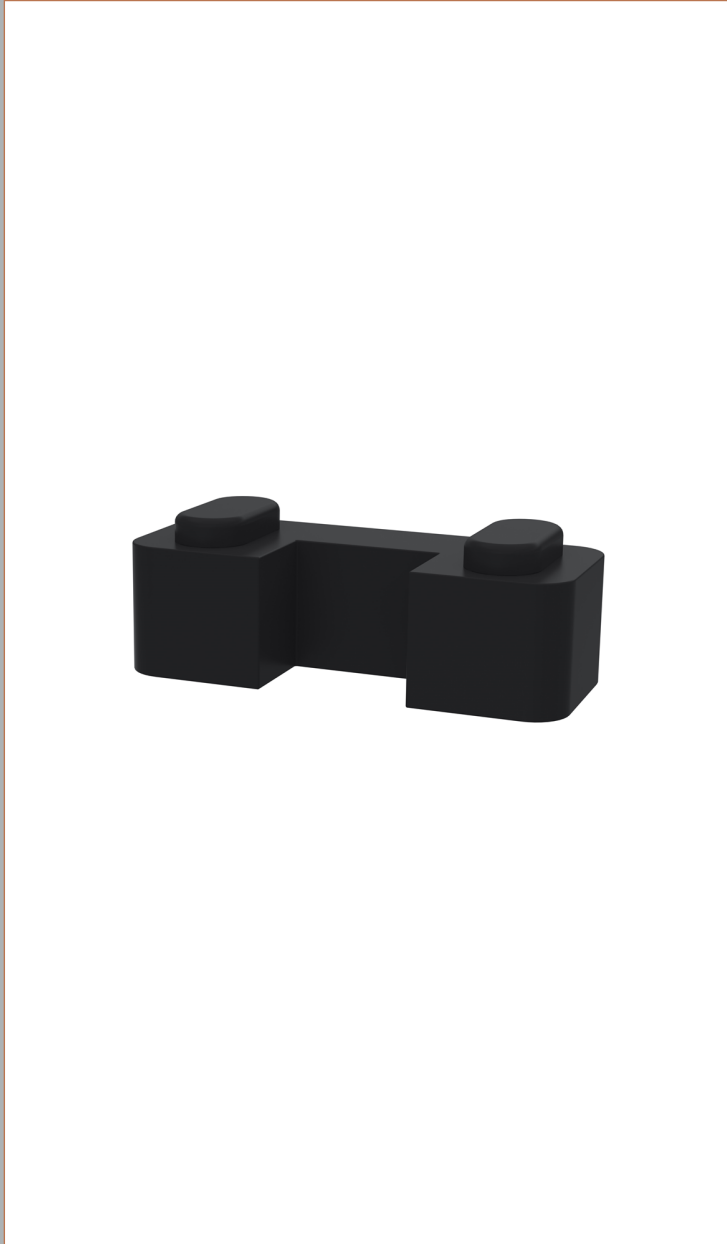
|                    |               |
|--------------------|---------------|
| Height (mm):       |               |
| Width (mm):        |               |
| Depth (mm):        |               |
| Length (mm):       |               |
| Gross Weight (kg): |               |
| Barcode:           | 5056462614168 |

**Product Details**

|                       |                      |
|-----------------------|----------------------|
| Country of Origin:    | China                |
| Fitting Instruction:  | No                   |
| CE & UKCA:            | Yes                  |
| Profile Material:     | Aluminium            |
| Profile Finish:       | Matt Black           |
| Adjustments (mm):     | 1075mm-1093mm        |
| Entry Width (mm):     | N/A                  |
| Swing In Dim (mm):    | N/A                  |
| Swing Out Dim (mm):   | N/A                  |
| Radius (mm):          | Not Applicable       |
| Glass Thickness (mm): | 8                    |
| Easy Fit:             | No                   |
| Easy Clean:           | No                   |
| Handle Style:         | Not Applicable       |
| Handle Material:      | Not Applicable       |
| Enclosure Design:     | Frameless            |
| Wheel Type:           | Not Applicable       |
| Support Bar Included: | Support Bar Included |
| Extras:               | None                 |

Sales Code: WRSF007

Description: Wetroom Horseshoe Support Foot Black



**Product Dimensions**

|                   |      |
|-------------------|------|
| Height (mm):      | 9    |
| Width (mm):       | 24   |
| Depth (mm):       | 10   |
| Nett Weight (kg): | 0.16 |

**Packaging Dimensions**

|                    |      |
|--------------------|------|
| Height (mm):       | 45   |
| Width (mm):        | 30   |
| Length (mm):       | 44   |
| Gross Weight (kg): | 0.16 |

**Packaging Data**

|               |                     |
|---------------|---------------------|
| Box Colour:   | White Cardboard Box |
| Box Qty:      | 1                   |
| Label Size:   | 100 x 50            |
| Label Colour: | White Label         |
| Label Qty:    | 1                   |

**Outer Box Dimensions (If Applicable)**

|                    |               |
|--------------------|---------------|
| Height (mm):       | 360           |
| Width (mm):        | 270           |
| Depth (mm):        |               |
| Length (mm):       |               |
| Gross Weight (kg): |               |
| Barcode:           | 5056211850625 |

**Product Details**

|                       |                          |
|-----------------------|--------------------------|
| Country of Origin:    | China                    |
| Fitting Instruction:  | No                       |
| CE & UKCA:            | N/A                      |
| Profile Material:     | Brass                    |
| Profile Finish:       | Matt Black               |
| Adjustments (mm):     | N/A                      |
| Entry Width (mm):     | N/A                      |
| Swing In Dim (mm):    | N/A                      |
| Swing Out Dim (mm):   | N/A                      |
| Radius (mm):          | Not Applicable           |
| Glass Thickness (mm): |                          |
| Easy Fit:             | Not Applicable           |
| Easy Clean:           | Not Applicable           |
| Handle Style:         | Not Applicable           |
| Handle Material:      | Not Applicable           |
| Enclosure Design:     | Not Applicable           |
| Wheel Type:           | Not Applicable           |
| Support Bar Included: | Support Bar Not Included |
| Extras:               | None                     |

Sales Code: FIX024

Description: Wetroom Screen Support Arm Black



### Product Dimensions

|                   |      |
|-------------------|------|
| Height (mm):      | 15   |
| Width (mm):       | 150  |
| Depth (mm):       | 1000 |
| Nett Weight (kg): | 0.67 |

### Packaging Dimensions

|                    |      |
|--------------------|------|
| Height (mm):       | 35   |
| Width (mm):        | 160  |
| Length (mm):       | 1020 |
| Gross Weight (kg): | 0.7  |

### Packaging Data

|               |                     |
|---------------|---------------------|
| Box Colour:   | Brown Cardboard Box |
| Box Qty:      | 1                   |
| Label Size:   | 100 x 50            |
| Label Colour: | White Label         |
| Label Qty:    | 1                   |

### Outer Box Dimensions (If Applicable)

|                    |               |
|--------------------|---------------|
| Height (mm):       |               |
| Width (mm):        |               |
| Depth (mm):        |               |
| Length (mm):       |               |
| Gross Weight (kg): |               |
| Barcode:           | 5056211847342 |

### Product Details

|                       |                 |
|-----------------------|-----------------|
| Country of Origin:    | China           |
| Fitting Instruction:  | No              |
| CE & UKCA:            | N/A             |
| Profile Material:     | Stainless Steel |
| Profile Finish:       | Matt Black      |
| Adjustments (mm):     | N/A             |
| Entry Width (mm):     | N/A             |
| Swing In Dim (mm):    | N/A             |
| Swing Out Dim (mm):   | N/A             |
| Radius (mm):          | Not Applicable  |
| Glass Thickness (mm): |                 |
| Easy Fit:             | Not Applicable  |
| Easy Clean:           | Not Applicable  |
| Handle Style:         | Not Applicable  |
| Handle Material:      | Not Applicable  |
| Enclosure Design:     | Not Applicable  |
| Wheel Type:           | Not Applicable  |
| Support Bar Included: |                 |
| Extras:               | None            |