

# Concept 170cm x 70cm Idealform Spacemaker Shower Bath LH No Taphole

## ILLUSTRATED

- E0499** Concept 170cm x 70cm Idealform Spacemaker shower bath with no tapholes, left hand
- BC707** Cerafine O dual control bath filler
- E0501** Concept 170cm Spacemaker shower bath front panel
- E3169** Unilux 70cm end panel
- E1486** Luxury bath pop-up waste and overflow
- A5901** TMV thermostatic mixing valve, 22mm

## OPTIONS

- A7051** Connect Air single lever 2 tap hole bath filler

## ILLUSTRATED PRODUCT DETAILS






### Weights

- E0499** 21.07 KG
- BC707** 2.24 KG
- E0501** 3.25 KG
- E3169** 2.58 KG
- A5901** 0.60 KG

### Materials

- E0499** Idealform
- BC707** Chrome Plated Brass
- E0501** High Impact Polystyrene
- E3169** High Impact Polystyrene
- E1486** Mixed Material
- A5901** Chrome Plated Metal

### Finishes

- E0499**  White (01)
- BC707**  Chrome (AA)
- E0501**  White (01)
- E3169**  White (01)
- E1486**  Chrome (AA)
- A5901**  Chrome (AA)

### Capacity

- E0499** 164.0 litres (to overflow)

### Designer

Robin Levien, RDI

## FINISH OPTIONS



(AA) Chrome



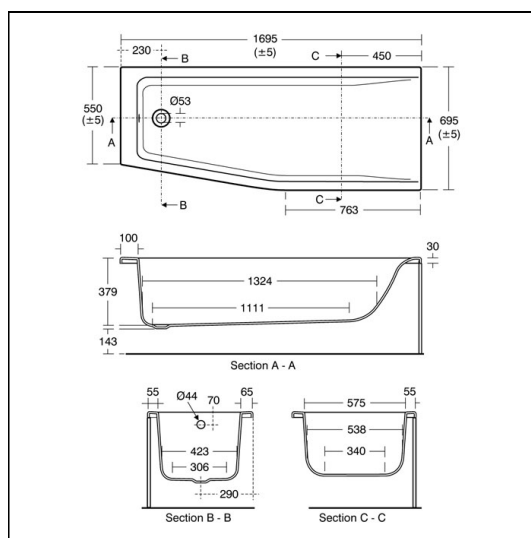
(XG) Silk Black

### Standards

Constructed to EN 198:2008. EN 14516

### Special Notes

Consideration should be given to safe hot water delivery and the use of an appropriate temperature reduction device, see A5901AA or part G for guidance. One taphole fittings require offsetting from the overflow. Check positioning and compatibility before specifying. Dedicated front panel is unhandled. Suitable for use with Connect bath screens.



## ACCREDITATIONS

### E0499(01)

**Unified Water Label**  **164.0** Litres

### A7051(AA)

**Unified Water Label**  **26.00** Litres Per Minute

## FEATURES

