

# Concept 170cm x 70cm Idealform Spacemaker Shower Bath RH No Taphole

## ILLUSTRATED

- E0498** Concept 170cm x 70cm Idealform Spacemaker shower bath with no tapholes, right hand
- E0501** Concept 170cm Spacemaker shower bath front panel
- E3169** Unilux 70cm end panel
- S8970** Trap 1½" plastic P with 75mm seal, multi-purpose outlet suitable for plastic and BS copper pipe
- E1486** Luxury bath pop-up waste and overflow
- A5901** TMV thermostatic mixing valve, 22mm

## OPTIONS

- BC707** Cerafine O dual control bath filler
- A7051** Connect Air single lever 2 tap hole bath filler
- BC708** Cerafine O dual control bath shower mixer with shower set
- BD267** Ceraplan single lever bath shower mixer
- A7216** Ceratherm T50 exposed thermostatic shower mixer valve

## ILLUSTRATED PRODUCT DETAILS

### Weights

- E0498** 21.07 KG
- E0501** 3.25 KG
- E3169** 2.58 KG
- S8970** 1.00 KG
- A5901** 0.60 KG

### Materials

- E0498** Idealform
- E0501** High Impact Polystyrene
- E3169** High Impact Polystyrene
- S8970** Plastic
- E1486** Mixed Material
- A5901** Chrome Plated Metal

### Finishes

- E0498**  White (01)
- E0501**  White (01)
- E3169**  White (01)
- S8970**  Neutral / No Finish (67)
- E1486**  Chrome (AA)
- A5901**  Chrome (AA)

### Capacity

- E0498** 164.0 litres (to overflow)

### Designer

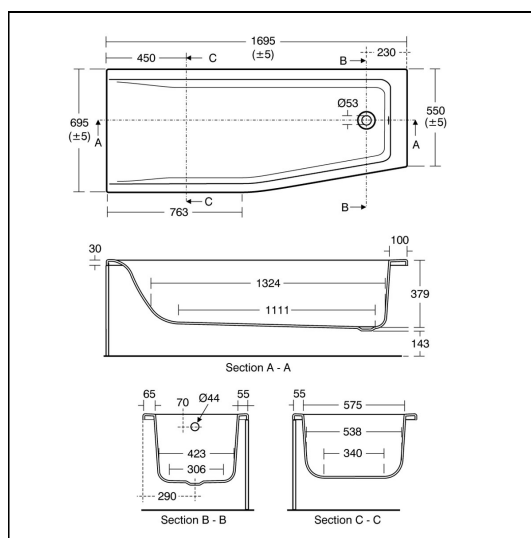
Robin Levien, RDI

### Standards

Constructed to EN 198:2008. EN 14516

### Special Notes

Consideration should be given to safe hot water delivery and the use of an appropriate temperature reduction device see A5901AA or part G for guidance. one taphole fittings require offsetting from the overflow. Check positioning and compatibility before specifying. Dedicated front panel is unhandled. Suitable for use with Connect bath screens.



## FEATURES

