

# Ceraflex 2 Tap Hole Bath Filler

## ILLUSTRATED

**B1824** Ceraflex dual control 2 tap hole bath filler

### ILLUSTRATED PRODUCT DETAILS

#### Weights

**B1824** 1.87 KG

#### Finishes

**B1824**  Chrome (AA)

#### Materials

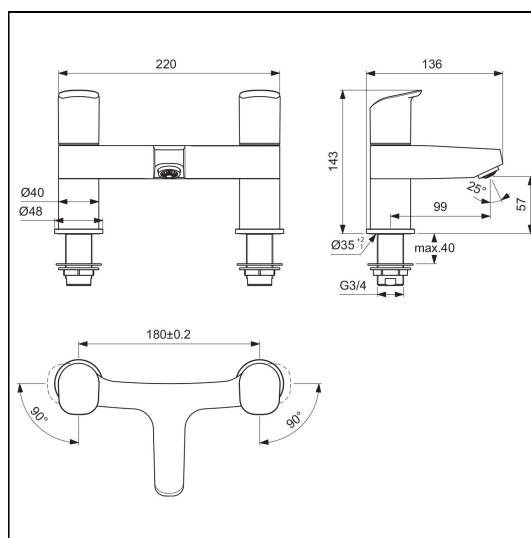
**B1824** Chrome Plated Brass

#### Designer

Artefakt Industriekultur

#### Special Notes

Suitable for balanced/unbalanced supplies. Inlets 3/4" BSP male coned for copper. Supplied with brass back nuts. Consideration should be given to safe hot water delivery and the use of an appropriate temperature reduction device, please see A5900AA (for use with 15mm pipework) or A5901AA (for use with 22mm pipework).



### ACCREDITATIONS