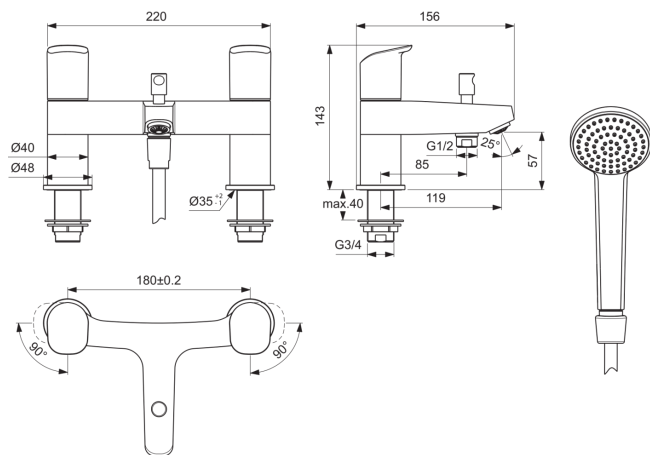


CERAFLEX

B1823AA

CERAFLEX | Rim mounted bath & shower mixer 228x156x143 mm, 119 mm spout projection in chrome finish, 8 l/min (3 bar) | SmartShine

Image & drawing



General information

Product type:	Bath & shower mixers
Sub product type:	Rim mounted bath & shower mixer
Brand:	Ideal Standard
Suite name:	CERAFLEX
Designer:	Ideal Standard
Colour:	AA - Chrome
Surface finish effect:	glossy
Height (mm):	143
Width (mm):	228
Length / Projection (mm):	156
Net weight (kg):	2.41
EAN code:	3800861065913

Included products

B9400AA:	IDEALRAIN Single function handspray 80x225 mm in chrome finish, 8 l/min (3 bar)
A963173NU:	SH HOSE 1 80 M G1/2 CP- TO USE BF175AA

Features



SmartShine

Downloads

- [Declaration of Conformity](#)
- [Installation Guide](#)
- [Spare Parts List](#)

Product standard & certifications

WRAS certificate name:	1905009
------------------------	---------

Product specifications

Amount of escutcheon(s):	2
Amount of handles:	2
Colour code:	AA
Colour description:	chrome
Cool Body technology:	No
ON / OFF S-Connectors:	No
Flushing time adjustable:	No
Handle application:	Volume control
Handle position:	Top
Material:	Metal
Material of escutcheon(s):	Metal
Material quality:	Brass
Max. flow rate at 3 bar (l):	8

CERAFLEX

B1823AA

CERAFLEX | Rim mounted bath & shower mixer 228x156x143 mm, 119 mm spout projection in chrome finish, 8 l/min (3 bar) | SmartShine

Product specifications

Max. flow rate at 3 bar (l) for all outlets:	8
Max. flow rate at 3 bar (l) for handspray:	8
Max. operating pressure (bar):	10
Min. operating pressure (bar):	0.5
Noise reduced S-Connectors:	No
PVD technology:	No
Shape of escutcheon(s):	Round
Shower hose connection thread:	G 1/2
SmartShine:	Yes
Spout model:	Fixed
Surface cover:	chromium-plated
Surface finish effect:	glossy
Tap outlet model:	Aerator
Tap outlet visibility:	Visible
Type of handle:	Rotary knob
Type of temperature control:	Manually operated
With S-couplings:	No
With check valve:	No
With diverter unit:	Yes
With escutcheon(s):	Yes
With handle(s):	Yes
With handspray set:	Yes
With head shower:	No
With outlet:	Yes
With shower kit:	No
Handle fixation position:	Top
Mounting method:	Rim

Your local contact:

België • Belgique

Ideal Standard Produktions-GmbH
Corporate Village - Frame 21 Building
Da Vincilaan 2
B-1935 Zaventem
☎ +32 2 325 66 00
✉ +32 2 325 66 01
www.idealstandard.be

България

Идеал Стандарт - Видима АД
ул. "Марин Попов" 53
гр. Севлиево, 5400
☎ +359 885 938 880
✉ office@idealstandard.com
www.idealstandard.bg

Česká republika

Ideal Standard s.r.o.
Zemská 623
41574 Teplice
☎ +420 (0)-417-265 11
✉ +420 (0)-417-265 15
www.idealstandard.cz

Hrvatska

Ideal Standard Hrvatska
Lopatinečka ul. 8
10000, Zagreb
☎ +385 91 229 9304
www.idealstandard.hr

Danmark

Ideal Standard Skandinavia ApS
Fynsvej 9
5500 Middelfart (Denmark)
☎ +45 75 84 10 10
www.idealstandard.dk

Deutschland

Ideal Standard GmbH
Euskirchener Straße 80
53121 Bonn
☎ +49 (0)228 521-0
✉ +49 (0)228 521-241
✉ idealstandard.de@idealstandard.com
www.idealstandard.de

Éire

Ideal Standard Éire
2nd Floor, Unit 3103 Lake Drive Citywest
Business Campus Tallaght Dublin 24 YXW2
☎ +353 1 4564525
www.idealstandard.ie

España

Ideal Standard Iberia S.L.U
Riera Principal Nr. 8
08328 Alella (Barcelona - España)
☎ +34 93 561 80 00
www.idealstandard.es

Ελλάδα

Ideal Standard S. A. Γραφεία Αθηνών:
Λ. Μεσογείων 265, 15451 Ν.
Ψυχικό, Αθήνα
☎ +2106790800
www.idealstandard.gr

France

Ideal Standard France - Siège social
39Rue St. Sabin
75011 Paris
☎ +33 (0)1 49 38 81 34
✉ sav.idealstandard@idealstandard.com
(demandes techniques) /
devis.chantier@idealstandard.com
(demandes commerciales)
www.idealstandard.fr

Italia

Ideal Standard (Italia) Srl
Via Giosuè Borsi 9
20143 Milano, Italia
☎ +39 (0)2 28881
✉ info@idealstandard.it
www.idealstandard.it

Nederland

Ideal Standard Nederland BV
Hambakenwetering 3
5231 DD 's-Hertogenbosch
☎ +31 (0)-77 355 08 08
✉ +31 (0)-77 354 21 86
www.idealstandard.nl

Österreich

Ideal Standard GmbH
Zweigniederlassung Österreich
Erzherzog-Karl-Str. 131-135
1220 Wien Österreich
☎ +43 125 66 222-0
✉ +43 125 66 222-625
www.idealstandard.at

Polska

Ideal Standard Polska
Ul. Ostrowskiego 7
53-238 Wrocław
☎ +48 71 78 68 301
www.idealstandard.po

România

Ideal Standard Representative Office România
Calea Victoriei 109, Etaj 1, Sector 1
București, 010069
☎ +40 746 050 408
✉ officebucharest@idealstandard.com
www.ideal-standard.ro

Srbija

Ideal Standard - Vidima AD
Drinčićeva br.19, I sprat, stan br.8
11000 Beograd Srbija
☎ +381 11 7138 058
www.idealstandard.rs

United Kingdom

Ideal Standard (UK) Ltd
The Bathroom Works National Avenue
Kingston Upon Hull
HU5 4HS
☎ +44 (0)-1482 346 461
✉ +44 (0)-1482 445 886
www.idealstandard.co.uk