



SPACEMAKER ACRYLIC BATHS



Installation Instruction

EE72528567
4043 05/24

TECHNICAL INFORMATION

Studio Bath Versions

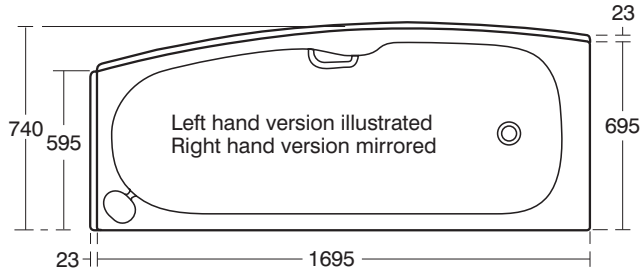


Fig. 1 - Showering version

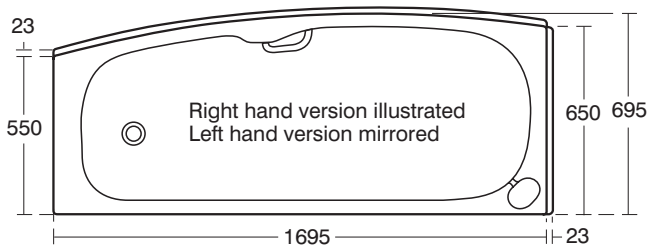


Fig. 2 - Bathing version

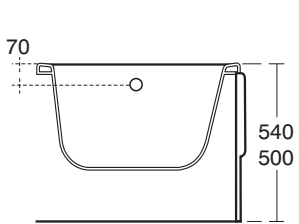


Fig. 3

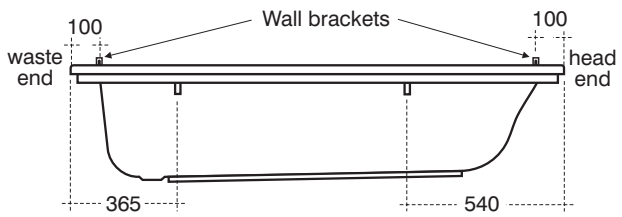
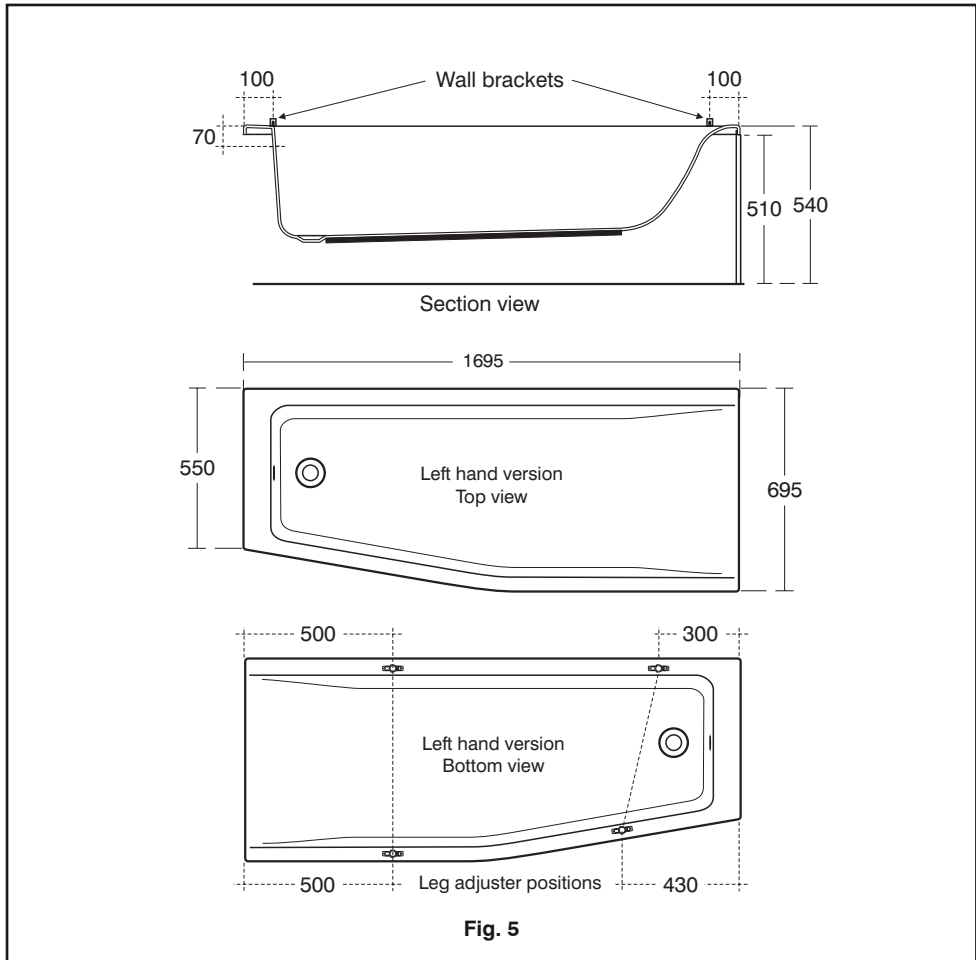


Fig. 4

All dimensions shown in millimetres.
Dimensions may vary within permitted tolerances.



BEFORE YOU START

- Before commencing installation, carefully remove packaging/protective film and check for damage. If damaged, report immediately to supplier.
- Check the packs and make sure that you have all parts listed. If not, contact the supplier.
- Ensure the water feeds and waste connection points are positioned appropriately for the installation.
- Care should always be taken when drilling into walls and floors to avoid any sunken wires or pipes.
- The bath should be fully protected during the installation process.
- Please note: Although these instructions are comprehensive, it is always recommended that a technically competent installer should undertake installation.

Appropriate safety equipment/workwear should be used

INSTALLATION

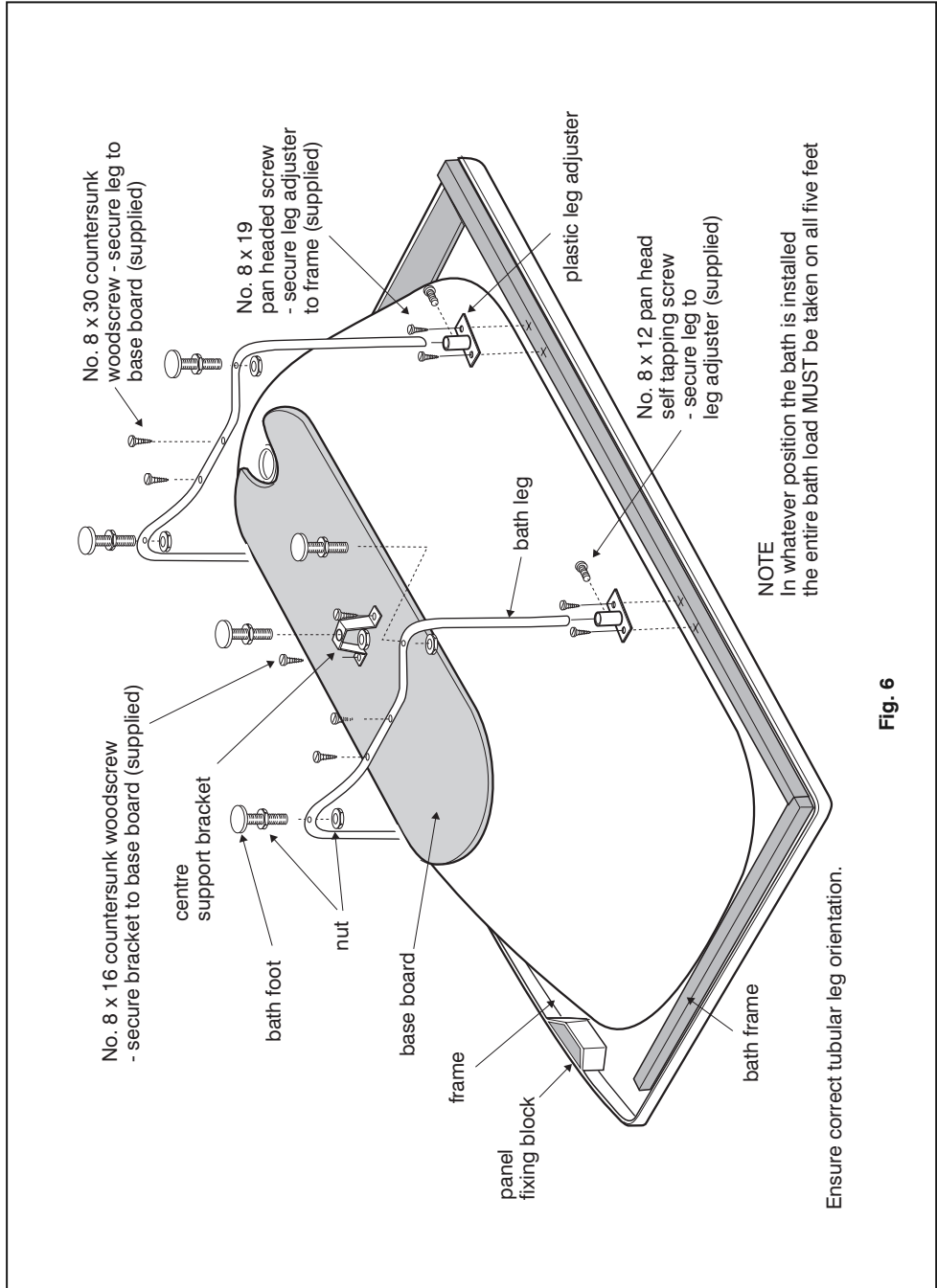


Fig. 6

1. Lay bath face down and remove legs and bags containing feet etc.

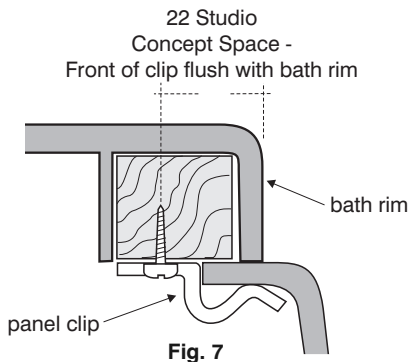
The 4 - No.8 x 40 long self tapping screws removed from the bath are NOT REQUIRED.

2. Locate leg adjusters on bath frame and mark positions for the fixing screws on the base board. Pilot drill the holes in the bath frame and fix leg adjusters to frame.

3. Locate bath legs in leg adjusters and mark positions for the fixing screws on the base board. Pilot drill the holes in the base board, to a depth of 6mm maximum. Position legs in leg adjusters and on base board and secure. Locate No. 8 x 12 long pan head self tapping screw into leg adjuster and tighten.

DO NOT OVER TIGHTEN

4. Fit panel clips to panel clip blocks (Fig. 7). Fix a panel clip on each panel clip block. The panel clips must be located with the No. 8 x 20 long screw supplied, the correct distance back from the edge of the bath rim.



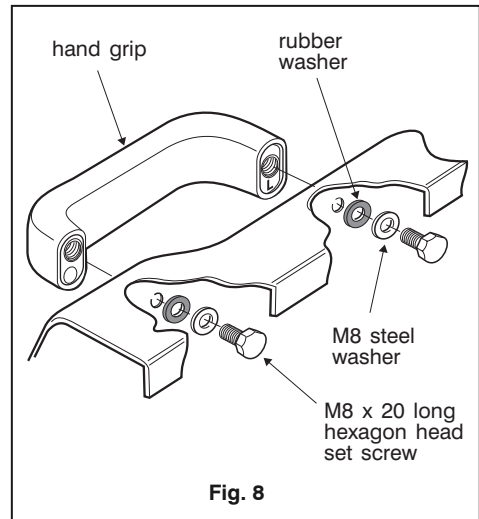
5. Locate centre support bracket, mark screw hole positions, pilot drill holes in base board, to a depth of 6mm maximum, and secure bracket.

6. Fix the feet and adjust to give approximate floor to top of rim height required.

7. Fit supply and waste fittings. If the bath is to be installed with a monoblock mixer a special

hole (or holes) is required to accommodate the mixer and will have to be cut by the installer in the corner rim of a no tap hole bath to suit the bathroom layout. Full details and a template for cutting the hole (or holes) are supplied with Ideal-Standard monoblock fittings. A template for cutting two tap holes in a no tap hole bath is supplied with the bath. Cut tap holes, and fit supply fittings, waste, overflow and trap.

8. Fit hand grips (Fig. 8) (if applicable).



9. Fix the two wall fixing brackets to bath frame as indicated in Fig. 9. Pilot drill holes in frame before fixing brackets.

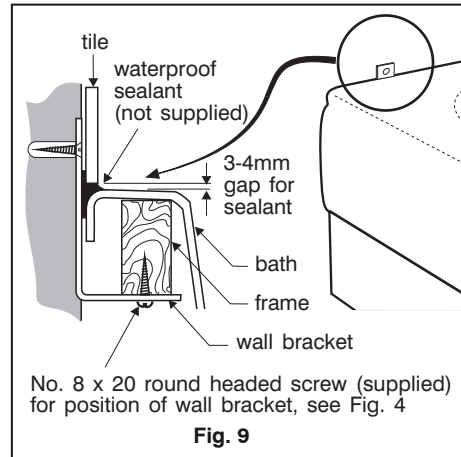
10. Place bath into installation position and level bath, ensuring that the bath height is correct, (510mm to trimmed edge for nominal height). Note: The bath can be installed at a lower height, but this will reduce the space available for the waste to be fitted. Also, the panel(s) will need to be reduced in height by cutting a strip from the bottom edge. Reducing the panel height requires great care, therefore responsibility cannot be accepted for any errors made.

11. Fix bath to wall.

12. Fix bath to floor and ensure that all nuts are tight. Trail fit the panel(s) to verify height is correct. Note: Untrimmed panel fitment requires the height of 540mm (510mm to trimmed edge of bath). Remember to allow for floor coverings. Re-adjust if necessary.

13. Connect services and check for leaks.

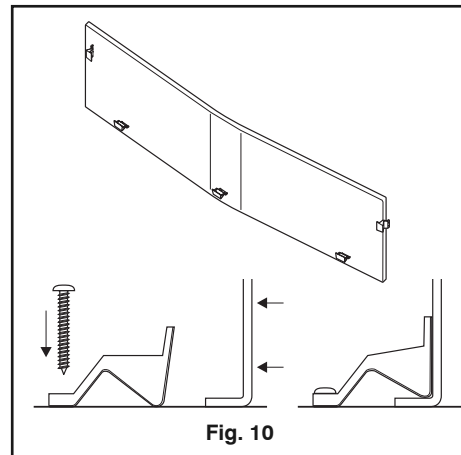
14. Tile down to the height of the bath rim leaving a 3-4mm gap for waterproof sealant, see Fig. 9. An extruded sealing strip can be used for the bath to wall joint as an alternative to waterproof sealant. Protect bath during tiling.



FIXING THE BATH PANEL(S)

15. Pre fit front panel ensuring that the ends of the panel are vertical. Mark a line along the front of the panel on the floor. Remove panel and fix the plastic panel clips onto the floor/wall(s) (Fig. 10). The front of the blocks should be 3mm back from the marked line.

16. Fit end panel (where appropriate). The end panel is secured by using a wooden batten (not supplied) along the floor for support. Attach cushioning strip along the top edge of panel for packing. Fit the end panel by pushing the top edge of the panel under the bath rim, between the roll and the wooden frame. Fix the panel to the batten. Fit front panel after end panel.



WARNING

DO NOT fix hand grips in any oil based bedding compound or putty. These materials contain solvents which will damage the hand grips irreparably. Rubber washers perform the sealing function on the reverse side of the bath.

CARE OF BATH

This bath left our works in first class condition and the following points should be noted;

TO AVOID DISAPPOINTMENT, PLEASE REMOVE THE PROTECTIVE FILM AND INSPECT BEFORE INSTALLATION.

Responsibility will not be accepted for the installation of faulty baths.

Care of bath - for the installer:

Keep under cover in a clean, dry, weather-proof place.

Do not drop. Protect completely during and after installation (with clean felt etc.).

When making joint to waste, overflow etc. on this product, DO NOT use linseed oil putty or similar based sealing compounds. Ensure rubber washers supplied with waste fittings are located correctly to give watertight seal.

Test the fittings and then do not use the bath for any other purpose.

Please leave this leaflet for the end user to read.

WARNING

- 1. Filling.** It is advisable always to run in some cold water before turning on the hot tap.
- 2. Cleaning.** The bath should always be cleaned immediately after use, preferably whilst the water is running out and the bath is still warm. The film of insoluble soap products, body fats and grime which will otherwise harden on the side of the bath is easily removed at this stage. In hard water districts insoluble lime salts are deposited below the waterline and under leaking taps. If this deposit is allowed to build up, it becomes increasingly difficult to remove and looks unsightly. Prompt cleaning is again the answer. Hot soapy water with a cloth should be used and the bath wiped dry.
- 3. Cleaners of a gritty or abrasive nature should never be used.** Worn washers on dripping taps should be replaced.
- 4. Chemicals.** Acrylic has good resistance properties to acids and alkalis but should not be allowed to come into contact with organic solvents such as dry cleaning agents and paint strippers.
- 5. Removal of scratches.** In the event of slight scratches in the bath surface a mild abrasive, similar to metal polish, can be used to polish these out.
- 6. Burning cigarettes** should not be allowed to come into contact with the surface of this bath or damage may ensue.

Product Guarantee

2 5 Y E A R S

Idealform Acrylic baths

1 0 Y E A R S

Shower enclosures and bath screens

5 Y E A R S

**Valves and kits, bath panels
taps and mixers**

This covers products in domestic use by the consumer and not commercial or business use.

All Ideal Standard products must be installed, used and cared for in line with our fixing instructions, local water byelaws and current water regulations.

Access should always be left for installation, service and repair.
Any relating costs are the responsibility of the owner/installer.

Guaranteed parts will be replaced if found faulty.

This guarantee does not cover general wear and tear.

Applies to the UK and Republic of Ireland only.

Proof of purchase will be required for any warranty claim.



Ideal Standard

Ideal Standard
The Bathroom Works,
National Avenue,
Kingston upon Hull,
HU5 4HS, England.
Telephone: (01482) 346461
Telefax: (01482) 445886.

CUSTOMER CARE HELPLINE

0870 1296085

FAX LINE 01482 499611

email : ukcustcare@IdealStandard.com

Ideal Standard pursues a policy of continuing improvement in design and performance of its products. The right is, therefore, reserved to vary specification without notice.

Ideal Standard (UK) Ltd.

4043 05/24
EE72528567