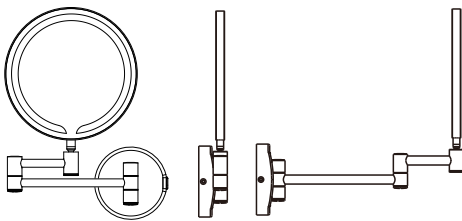
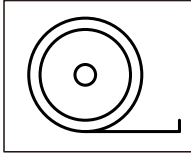


Make up Mirror

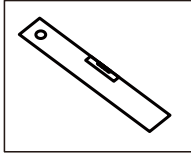


- The size of the make up LED mirror is 8inch
- Swing arm can extension and shorten, we can adjust the direction optionally
- Double-sided copper-free silver mirror, one side 3X magnifier, one side normal mirror
- Metal touch sensor
- The material is copper

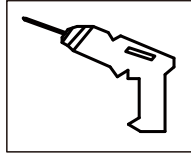
Required tools



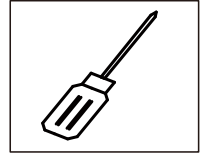
Tape measure



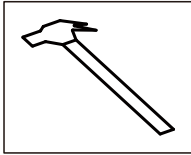
Spirit level



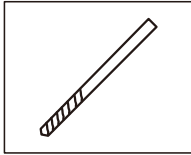
Electric drill



Screwdriver



Hammer



Drill bit



Pencil

Note: Please carefully read the following before installing



Warning

1. Before installing the product, please carefully read the instructions and operate accordingly;
2. Before installing, please turn off the main power switch and ensure that it won't turn on;
3. The installation of this product requires that the staff has some electrical knowledge;
4. Before installing, please check whether the product is broken, to avoid injury caused by damaged glass;
5. Do not clean the product surface with acid and alkaline cleaning agent; please use a damp cloth.

Installation Steps:

Fixing the wall bracket

- 1.1 Open the product packaging, and check whether the product has any exception or functional damage; if yes, please return it to the dealer.
- 1.2 After selecting the location of the Make up mirror, check whether the wall is solid, Make sure there is enough space in the installation location (Fig. 1). measure the distance of the holes (84.5mm) in the wall bracket with a tape measure and mark it on the wall with a pencil (Fig. 2).
- 1.3 Drill holes in the marked position with electric drill and $\varnothing 6$ drill bit, and use special ceramic drill if the wall surface is ceramic tile.
- 1.4 Knock the expansion plugs into the holes in the wall with a hammer, and then tighten the screws with a screwdriver to fix the bar, and calibrate the level with a spirit level (Fig. 3).

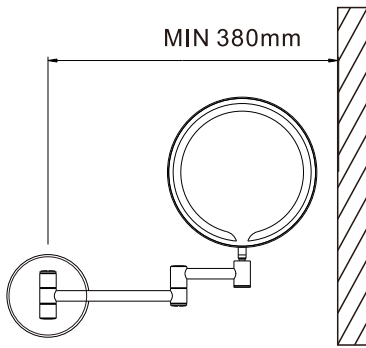


Fig.1

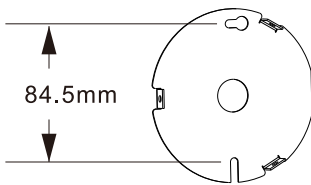


Fig.2

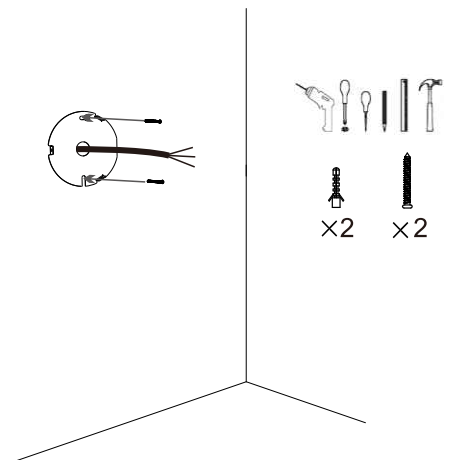


Fig.3

2. Make up mirror location installation:

- 2.1 Disconnect power, connect the wire to the terminal block. See (Fig.4)
- 2.2 Covered the chassis and screw, see (Fig.5)
- 2.3 Finally, turn on and test the product(Fig.6).

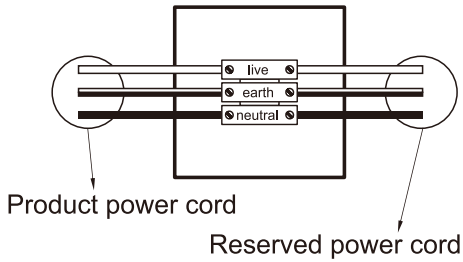


Fig.4

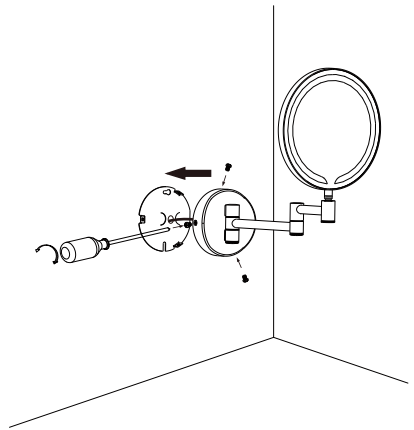


Fig.5

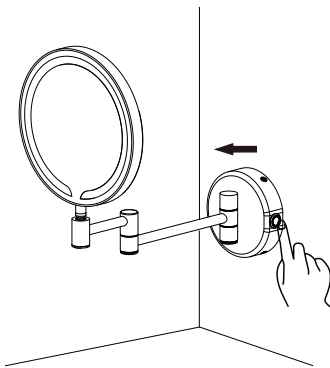


Fig.6