

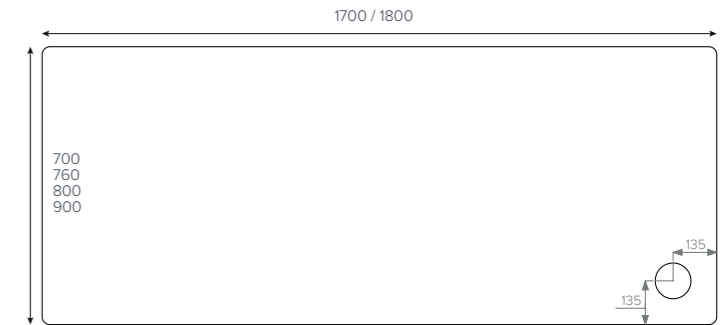
fusion Rectangle

- ⑥ 1600x700mm ■
- ⑥ 1600x760mm
- ⑥ 1600x800mm ■▲
- ⑥ 1600x900mm ■



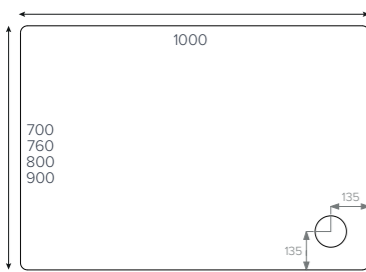
fusion Rectangle

- ⑥ 1700x700mm ▲
- ⑥ 1700x760mm ▲
- ⑥ 1700x800mm ▲
- ⑥ 1700x900mm ■
- ⑥ 1800x800mm ■



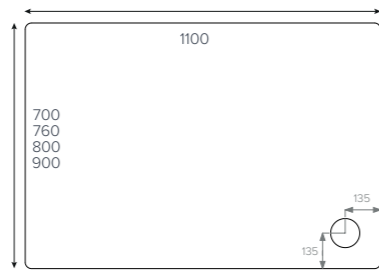
fusion Rectangle

- ③ 1000x700mm ■
- ③ 1000x800mm ■▲
- ③ 1000x760mm
- ③ 1000x900mm ■



fusion Rectangle

- ③ 1100x760mm
- ③ 1100x800mm ■▲
- ③ 1100x700mm
- ③ 1100x900mm



fusion Rectangle

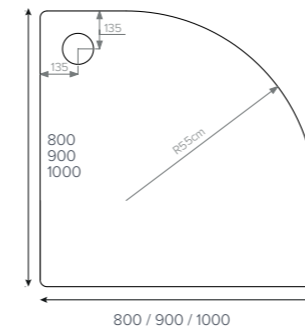
- ③ 1200x700mm ▲
- ③ 1200x800mm ■▲
- ③ 1200x760mm ■▲
- ③ 1200x900mm ■
- ⑥ 1300x800mm ▲



fusion Quadrant

Quadrant

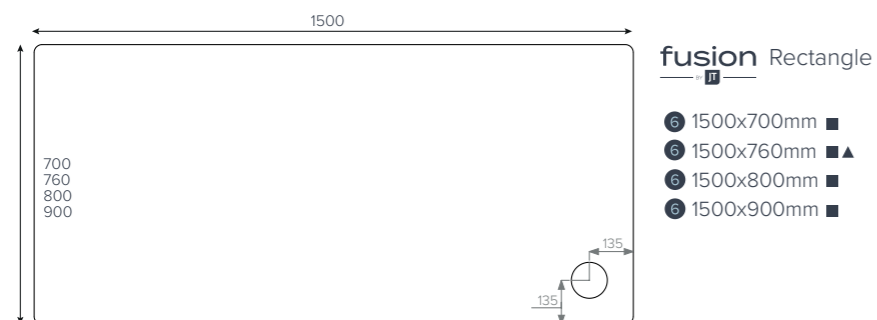
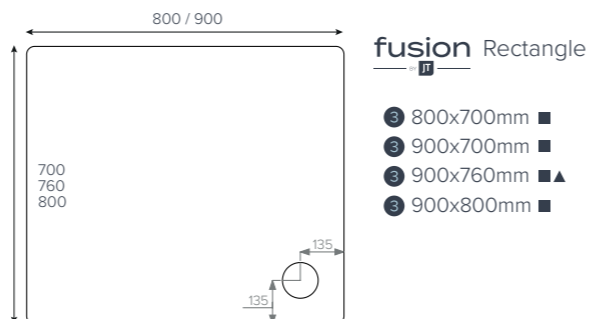
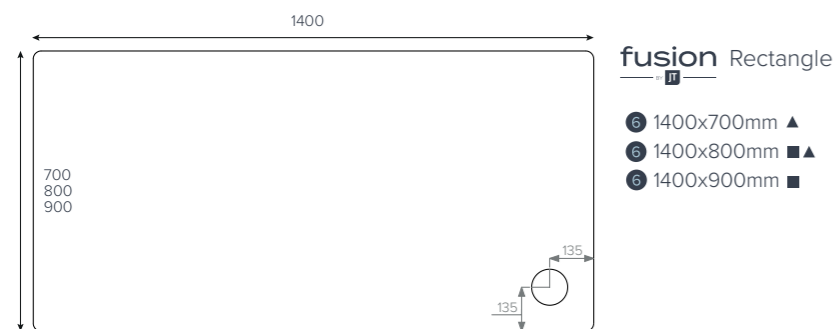
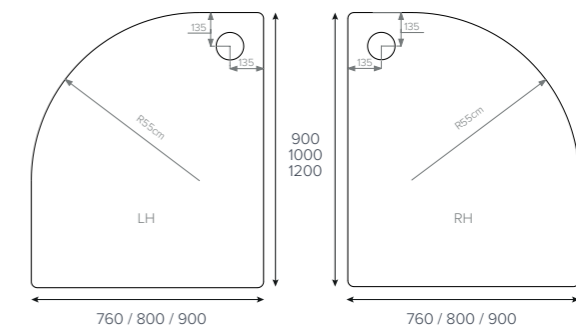
- ① 800x800mm ■
- ① 800x900mm
- ① 900x900mm ■
- ① 1000x1000mm



fusion Offset Quadrant

Offset Quadrant

- ② 900x760mm
- ② 900x800mm
- ② 1000x800mm ■
- ② 1200x800mm ■
- ② 1200x900mm



Key

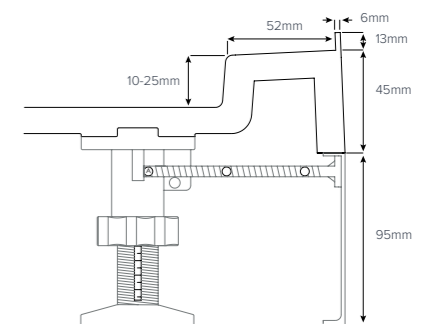
- Available with Upstands
- ▲ 3 Upstands - Left and right hand

Note:

Waste position on upstand trays is 141 x 141 in from outside edge except on 3 upstand RH where the waste dimension is 141 x 135. For upstand tray's overall size, please add 6mm to each side the upstand tray is applied.

- ① 1000mm Quad
- ② 1200mm Offset Quad
- ③ 1200x900mm
- ④ 1800x1000mm

fusion Leg Cross Section
With upstand and riser kit



fusion Leg Detail



- 45mm High
- Internal Depth 10-25mm
- Shoulder Width 52mm
- Leg Adjustment 87-140mm

